

TR

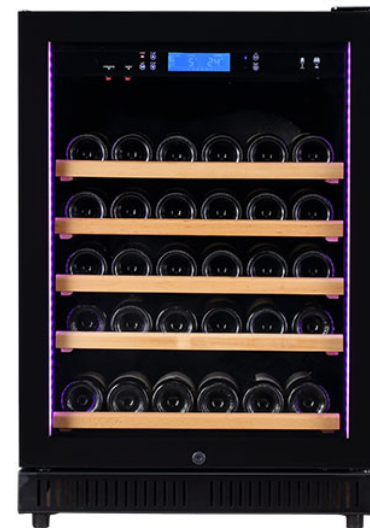
EN

KULLANIM ve BAKIM KILAVUZU
USER'S GUIDE

Şarap Saklama Cihazı

Kod / Code

H46S



Şarap Saklama Cihazı Wine Storage Device

USER MANUAL



Model: H46S

THANK YOU FOR PURCHASING OUR CIGAR HUMIDOR. BEFORE USE, PLEASE READ AND FOLLOW ALL SAFETY RULES AND OPERATING INSTRUCTIONS.

WARNING

To prevent damaging the door gasket, make sure to have the door all the way opened when pulling shelves out of the rail compartment. The appliance must be positioned so that the plug is accessible. Release the electric cord. Move your cabinet to its final location. Do not move your Cabinet while loaded with wine/cigars. You might distort the body. The wine/cigar cooler should be installed in a suitable place in order to avoid touching the compressor with the hand. If the supply cord is damaged, it must be replaced by manufacturer of its service agent or a similarly qualified person in order to avoid a hazard.

IMPORTANT SAFETY INSTRUCTIONS

⚡ WARNING ⚡

To reduce the risk of fire, electrical shock, or injury when using your appliance, follow these basic precautions:

Read all instructions before using the Wine cooler.

• DANGER or WARNING:

Risk of child entrapment.

Child entrapment and suffocation are not problems of the past. Junked or abandoned appliances are still dangerous, even if they will “just sit in the garage a few days”.

Before you throw away your old Wine/Cigar cooler: Take off the door.

Leave the shelves in place so that children may not easily climb inside. Never allow children to operate, play with, or crawl inside the appliance. Never clean appliance parts with flammable fluids. The fumes can create a fire hazard or explosion. Do not store or use gasoline or any other flammable vapors and liquids in the vicinity of this or any other appliance. The fumes can create a fire hazard or explosion.

-Save these instructions-

➤ **Before Using Your Wine/Cigar Cooler**

Remove the exterior and interior packing. • Before connecting the Wine Cooler to the power

source, let it stand upright for approximately 2 hours. This will reduce the possibility of a malfunction in the cooling system from handling during transportation. • Clean the interior surface with lukewarm water using a soft cloth. • When replace the illuminating lamp, please select the lamp which comply with the rated power input of lamp according to the rating label. Shut off the power supply before replacing the lamp. • When disposing your appliance, please choose an authorized disposal site.

Installation of Your Wine/Cigar Cooler

• Place your Wine/Cigar Cooler on a floor / surface that is strong enough to support it when it is fully loaded. To level your Wine/Cigar Cooler, adjust the leveling leg at the bottom of the Wine/Cigar Cooler. • Locate the Wine/Cigar Cooler away from direct sunlight and sources of heat (stove, heater, radiator, etc.). Direct sunlight may affect the acrylic coating and heat sources may increase electrical consumption. Extreme cold ambient temperatures may also cause the unit not to perform properly. • Avoid locating the unit in moist areas. • Plug the Wine/Cigar Cooler into an exclusive, properly installed wall outlet. Any questions concerning power should be directed toward a certified electrician or an authorized Products service center.

Attention

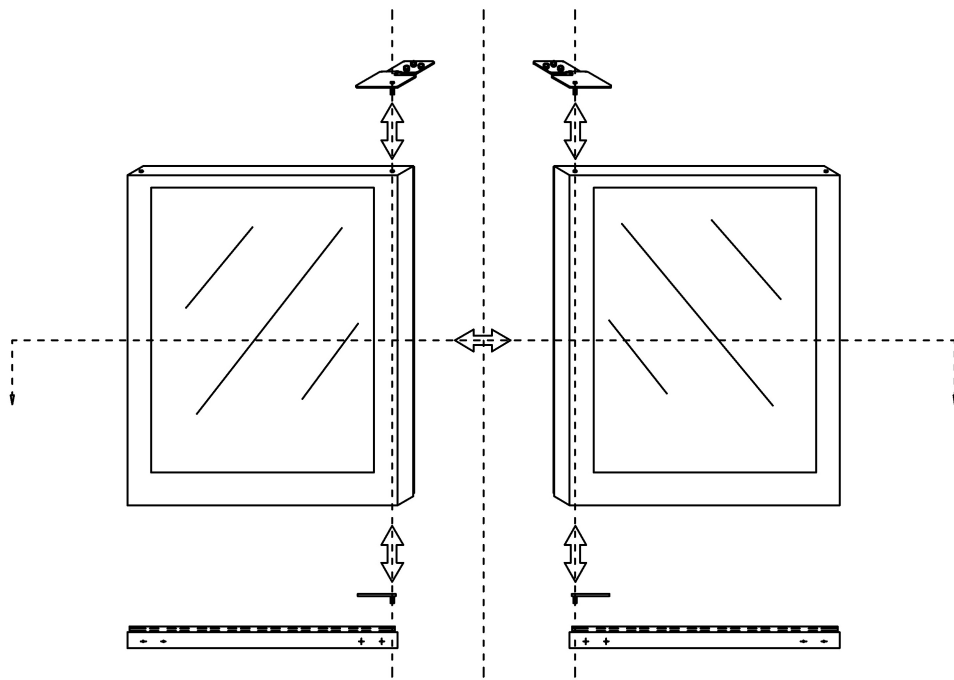
Store wine in sealed bottles, cigars in sealed boxes. Do not overload the cabinet. Do not open the door unless necessary. Do not cover shelves with aluminum foil or any other shelf material which may prevent air circulation. Should the Wine/Cigar Cooler be stored without use for long periods it is suggested, after a careful cleaning, to leave the door ajar to allow air to circulate inside the cabinet in order to avoid possible formations of condensation, mold or odors. The Carbon filter should be cleaned / dried at least once a year.

Reversing the Door Swing of Your Appliance

This appliance has the capability of the door opening from either the left or right side. The unit is delivered to you with the door opening from the left side.

Reversing door direction is shown as below diagram:

- (1) Take off screws on hinge cover on top of the cabinet and then separate the door from the cabinet.
- (2) Remove screws and hinge supporter beneath the cabinet, then reverse the door at an angle of 180° to sit it on the mounting hole of the pedestal, using the EXTRA bracket.
- (3) Hold the door in vertical position, put the hinge cover on top of the cabinet and fasten it with screws.

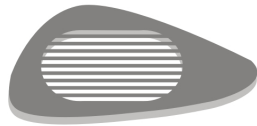


Adjustment of wine/cigar cabinet feet



Activated carbon filter

1) Appearance:



1. Function:

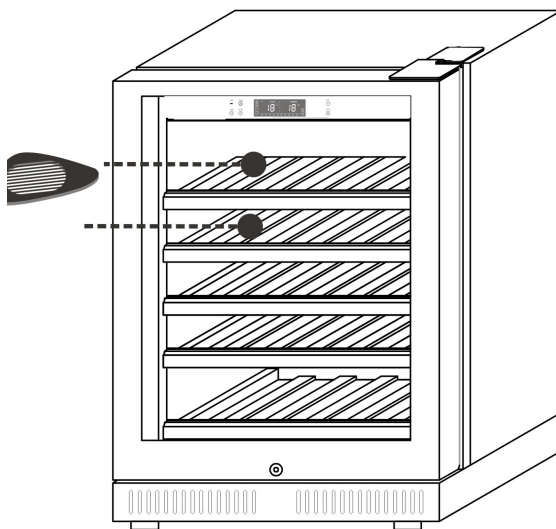
This item is intended for sterilizing and getting rid of abnormal taste inside the cabinet.

1.1 how to maintenance:

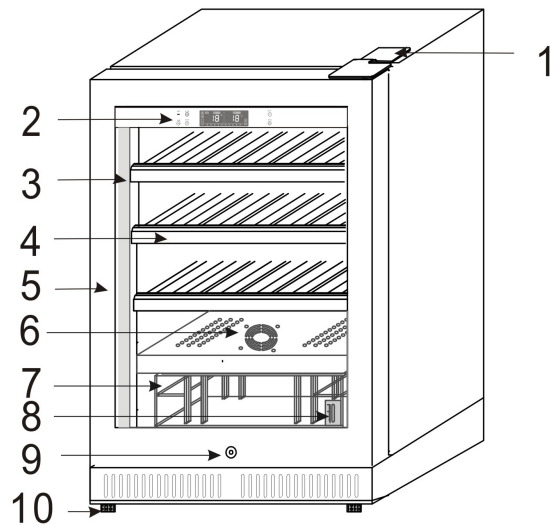
Take it out of the cabinet in every quarter and expose it to the sun for a few hours before putting it back. It can be used repeatedly.

1.2 how to place it:

It can be put on any position between two shelves.



STRUCTURE AND FUNCTIONS



- 1 Door hinge
- 2 LCD control panel
- 3 Led lighting
- 4 Shelf for wine/Cigar storage
- 5 Door frame
- 6 Humidification fan
- 7 Water tank
- 8 Water level marking
- 9 Safety lock
- 10 Supporting feet

Operating instructions

You're suggested to place the cabinet in the space with surrounding temperature ranging from 0-35 °C

(32-95°F) , and the working conditions will be affected if the surrounding temperature goes beyond or lower than suggested temperature.

Temp setting ◆

control panel for single temp setting



- POWER
- LAMP: switch for Led lighting
- SET TEMP
- °C/°F: Celsius/ Fahrenheit switch
- OFF/ON:

The left LCD chamber indicates set temp, ranging from 5°C~22°C (40°F-72°F) , it can be adjustable by pressing key of set. The control system will have a judgment for 3 seconds, corresponding digital tube will flash. If temp setting remains unchanged for 3 seconds, the system will judge and set temp is confirmed, then returns to indication of actual temp. After the wine/cigar cabinet is put into operation for a while actual temp inside the cabinet will work according to set temp. The right LCD chamber indicates humidity inside the cabinet, humidity level can be adjustable ranging from 60%--85%RH, it can be adjustable by pressing key of set(RH). If set humidity remains unchanged for 3 seconds, the system will judge and setting humidity is confirmed, then returns to indication of actual humidity. After the wine cabinet is put into operation for a while actual humidity inside the cabinet will work according to set humidity. .

Functional instructions for control panel:

Power: This button controls starting and stopping of the whole cooling system. (indicates the situation of power supply)

°C/°F this button can switch Fahrenheit to Celsius or vice versa, their temp indication are corresponding. When switching, the corresponding indicator on the right corner of digital tube will start, and user can also choose the procedure of memorizing Fahrenheit when starting operation.

Attention:

According to different habit of using the Wine/Cigar cooler among different countries or areas, users can switch temp setting at will, only need to press the button “°C/°F” once.

▲/▼ (+/-) This button controls progressive increase or decrease of the temperature, when temp range is between 5-8°C (40-47°F), orange lighting will indicates on the below corresponding indicator, while the range between 9-14°C (48-57°F), white lighting will indicates on the below corresponding indicator

RUN When compressor is on work, the below corresponding LED indicator can only light up, the operation status of compressor can be judged from lighting/stopping of the indicator.



HTR This sign indicates status of thermal compensation of the Wine/Cigar cooler..

Control requirement for cooling circulation system:

When cooling system inside the cabinet meet with requirement of temp setting, compressor will stop working. When temperature inside the cabinet rises up to the level which requires compressor to start, it'll enter the process of re-starting, ≥ 5 minutes is required each time for stopping of the compressor. If operating the button POWER to control cooling system of the whole cabinet, 5 minutes interval for delay protection is required to re-start the compressor.

CHAMBER digital display of temp inside the cabinet.

Control requirement for cooling circulation system:

When cooling system inside the cabinet meet with requirement of temp setting, compressor will stop working. When temperature inside the cabinet rises up to the level which requires compressor to start, it'll enter the process of re-starting, ≥ 5 minutes is required each time for stopping of the compressor. If

operating the button POWER to control cooling system of the whole cabinet, 5 minutes interval for delay protection is required to re-start the compressor.

°C/°F this button can switch Fahrenheit to Celsius or vice versa, their temp indication are corresponding. When switching, the corresponding indicator on the right corner of digital tube will start, and user can also choose the procedure of memorizing Fahrenheit when starting operation.

Attention:

According to different habit of using the Wine/Cigar cooler among different countries or areas, users can switch temp setting at will, only need to press the button “°C/°F”for 3 seconds

LIGHT (LAMP) This button can control starting and stopping of LED lighting.

RUN While the compressor is on working, the below LED can only flash, working status of compressor can be judged from illuminating and putting out of the indicator. On control panel, when compressor is on working, the sign ‘run’ on the top left corner of blue screen will be illuminated.



When temp inside the cabinet is lower than the set temp, thermal compensation system of the wine cooler will start working, indicator on bottom right of the control panel will light up.

After set temp is locked, it will flash for 3 seconds, indicating the actual temp inside the cabinet. Afterwards, temp inside the cabinet will reach the set temp, fluctuating around $\pm 2.5^{\circ}\text{C}$ of set temp which is regarded as normal.

The button power controls running and stopping of the whole system of wine cooler, but every starting and stopping, the system won't start until 5 seconds after delay protection.

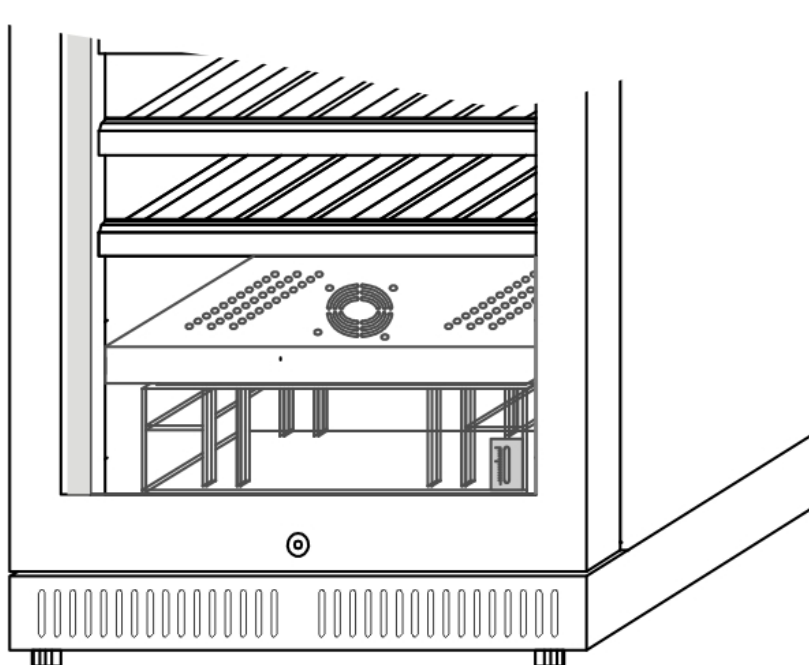
Self-detection:

When power is on for the whole cabinet by touching button ‘power’, mode of self-detection will start. In the process of detection, the figure on digital tube will be circularly lighted up, all the electrical ports will be put into power from which we can judge whether the whole system is running normally. Upon completion of detection after 10 seconds, normal mode of working will automatically start.

Alarm system:

When faults of cooling systems for all models of Wine/Cigar coolers occur, temp inside the cabinet runs higher than $\geq 30^{\circ}\text{C}$ (86°F) for more than 2 hours, alarm system will work, the cooling system will be automatically shut off with the buzzer buzzing intermittently.

Instruction for pouring water into water tank:



Open the door to take out water tank in the bottom of cabinet and then pour moderate amount of water (purified water preferably) into the tank according to water column attached on it. You are suggested to change water every three months.

Installation instructions

Notes before installation.

- ◆ Remove all the packing materials inside and outside the Wine/Cigar cooler.
- ◆ The cabinet should be placed steadily in vertical position for at least two hours before power connection, thus reducing harm done to the cooling system in the process of handling and transportation so as to avoid fault occurrence.
- ◆ To cleanse surface of the cabinet with soft cloth soaked in warm water.

Attention points for installation.

- ◆ All these models are designed to installed or as free standing styles.
- ◆ Please place the cabinet on the ground which can support full loading of wines, and adjust two supporting foot on the front of the cabinet to make them on the same level.

- ◆ Please don't place your cabinet close to such heat radiating appliances as furnace, stove and radiator, these items will increase power consumption of the cabinet.
- ◆ To avoid putting the cabinet in damp environment.
- ◆ For any query regarding power supply, please consult with the authorized service center

Attention for humidity.

When the humidor is empty, the humidity of each shelf will be higher than the humidity of the display; For example: Model H120S-C, set the temperature to 18 degrees, and the humidity to 71%RH. From top to bottom, the first shelf is 73%RH, the second shelf is 75%RH, the third shelf is 75%RH, the fourth shelf is 74%RH, and the fifth shelf is 74%RH. The sixth shelf is 73%RH.

For the model H320S with single temperature, since it has a double door and there is no partition in the middle, the humidity on the left will be a little lower than that on the right.

Similarly, when the box is filled with cigars/cigars are put in, the humidity of each layer will be different from the humidity of the empty cabinet. This is normal.

The humidor is filled with cigars and unloaded cigars, the humidity for the before and after is expected to be around $\pm 5\%$.

In addition, when the climate is relatively hot and the air is relatively dry, the humidity inside the cabinet will drop slightly, because when the temperature outside the humidor is relatively high, the humidor will be cooled and it will absorb moisture.

cleansing and maintenance

EXTERIOR CLEANING

Please cleanse the outer shell and door sealing of your cabinet with soapy water before drying off with soft cloth, you're forbidden to cleanse the cabinet with concentrated detergent and scratching tools.

INTERIOR CLEANSING

Un-plug the plug before taking out all the wines from the cabinet, then cleanse them with water, and dry off them with soft cloth.

STANDBY TIME

For short term, specifically, within less than three weeks, you can keep the cabinet in working conditions. For long term, more than a few months, please unplug the plug. Please keep inside the cabinet clean so as to avoid generating odor and mildew. Please keep the door of cabinet slightly open and shut it off if necessary.

TIPS FOR ENERGY-SAVING

Please place the cabinet in the place with lowest temp inside the room, and try not to put it close to heat electric appliances and to avoid sunshine exposure.

instructions for minor problems

faults	causes
power unconnected	socket unconnected circuit closing or fuse burnt out
When temp inside the cabinet is not low enough	check up the set temp frequently open the door door not closed tightly improper sealing abnormal voltage
Lamp not illuminated	Not turn on the lighting socket unconnected circuit closing or fuse burnt out Lamp break down
vibrating	to check up if the cabinet is laid flat
door cannot be closed tightly	unsteady placing door improper installation sealing break down wooden shelf get too close to the door
odor inside the cabinet	Remove the articles sending off odor

5

ŞARAP SAKLAMA CİHAZI

KULLANICI MANUEL



Modeli: H46S

TEŞEKKÜR ETMEK SEN İÇİN SATIN ALMA BİZİM PURO NEMLENDİRME. ÖNCE KULLANMAK, LÜTFEN OKUMAK VE TÜM GÜVENLİK KURALLARINA VE KULLANIM TALİMATLARINA UYUN.

UYARI

To prevent damaging the door gasket, make sure to have the door all the way opened when pulling shelves out of the rail compartment. The appliance must be positioned so that the plug is accessible. Release the electric cord. Move your cabinet to its final location. Do not move your Cabinet while loaded with wine/cigars. You might distort the body. The wine/cigar cooler should be installed in a suitable place in order to avoid touching the compressor with the hand. If the supply cord is damaged, it must be replaced by manufacturer of its service agent or a similarly qualified person in order to avoid a hazard.

ÖNEMLİ EMNİYET TALİMATLAR

⚡ WARNING ⚡

Cihazınızı kullanırken yangın, elektrik çarpması veya yaralanma riskini azaltmak için aşağıdaki temel önlemleri izleyin:

Şarap soğutucuyu kullanmadan önce tüm talimatları okuyun.

• TEHLİKE veya UYARI:

Çocuğun tuzağa düşme riski.

Çocukların tuzağa düşürülmesi ve boğulması geçmişte kalan sorunlar değil. Hurdaya çıkarılmış veya terk edilmiş cihazlar, "garajda birkaç gün bekleyecek" olsalar bile hala tehlikelidir.

Eski Şarap/Puro soğutucunuzu atmadan önce: Kapıyı çıkarın.

Çocukların içeriye kolayca giremeyecekleri şekilde rafları yerinde bırakın. Çocukların cihazı çalıştırmasına, oynamasına veya içinde gezinmesine asla izin vermeyin. Cihaz parçalarını asla yanıcı sıvılarla temizlemeyin. Dumanlar yangın tehlikesi veya patlama yaratabilir. Benzin veya diğer yanıcı buharları ve sıvıları bu veya başka bir cihazın yakınında saklamayın veya kullanmayın. Dumanlar yangın tehlikesi veya patlama yaratabilir.

-Bu talimatları kaydedin-

➤ **Önce Kullanma Senin Şarap/Puro Soğutucu**

Kaldırmak the dış Ve iç mekan paketlenme. • Önce Bağlanıyor şarap Soğutucu ile the güç

yaklaşık 2 saat kadar dik durmasına izin verin. Bu, taşıma sırasında soğutma sisteminde arıza oluşması olasılığını azaltacaktır. • İç yüzeyi ılık su ve yumuşak bir bezle temizleyin. • Aydınlatma lambasını değiştirirken lütfen the lamba Hangi uymak ile the Oy güç giriş ile ilgili lamba binaen ile the değerlendirme etiket. Lambayı değiştirmeden önce güç kaynağını kapatın. • Cihazınızı imha ederken lütfen yetkili bir imha merkezi seçin.

Kurulum ile ilgili Senin Şarap/Puro Soğutucu

• Yer senin Şarap/Puro Soğutucu Açık A zemin / yüzey O dır-dir güçlü yeterli ile Destek BT Ne zaman tamamen yüklenmiştir. Şarap/Puro Soğutucunuzu dengelemek için Şarap/Puro Soğutucusunun altındaki dengeleme ayağını ayarlayın. • Bul the Şarap/Puro Soğutucu uzakta doğrudan Güneş ışığı Ve kaynaklar Isı (soba, kalorifer, radyatör vb.) Doğrudan güneş ışığı akrilik kaplamayı etkileyebilir ve ısı kaynakları elektrik tüketimini artırabilir. Aşırı soğuk ortam sıcaklıkları da ünitenin düzgün çalışmamasına neden olabilir. • Üniteyi nemli alanlara yerleştirmekten kaçının. • Şarap/Puro Soğutucusunun fişini takın içine BİR özel, doğru bir şekilde kuruldu duvar prizi. Herhangi sorular güçle ilgili olarak sertifikalı bir elektrikçiye veya yetkili bir Ürün servis merkezine yönlendirilmelidir .

Dikkat

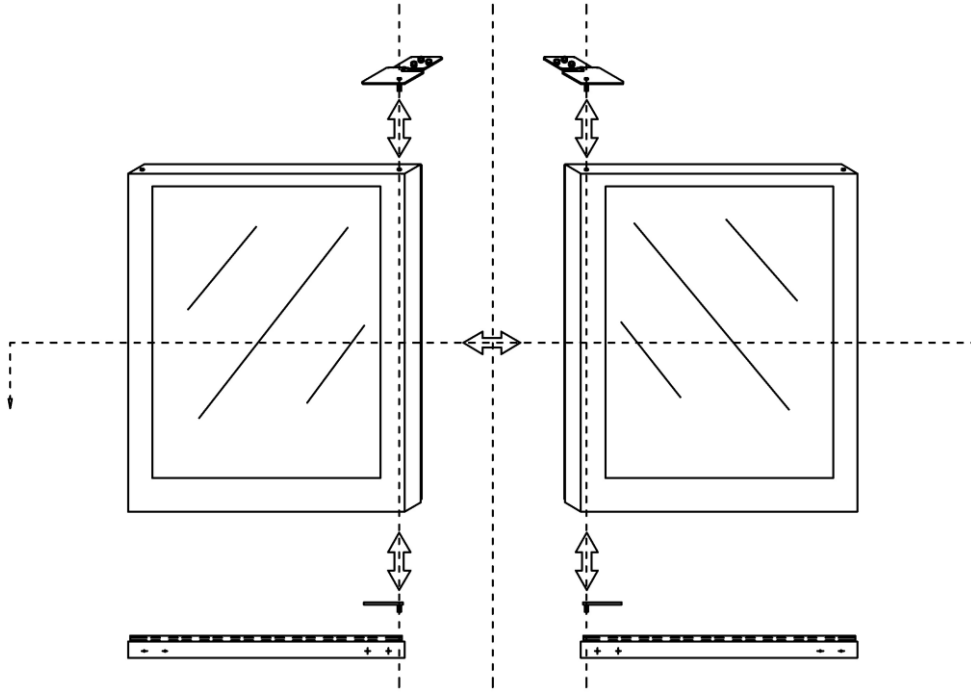
Şarabı kapalı şişelerde, puroları ise kapalı kutularda saklayın. Kabini aşırı yüklemeyin. Açmayın gerekmedikçe kapı. Rafları alüminyum folyo veya hava sirkülasyonunu engelleyecek başka raf malzemeleriyle kaplamayınız. Meli the Şarap/Puro Soğutucu olmak saklanmış uzun süre kullanılmadığında, dikkatli bir temizlikten sonra kapının hava alması için aralık bırakılması önerilir. ile dolaşıma sokmak içeri the kabine içinde emir ile kaçınmak olası oluşumlar ile ilgili yoğunlaşma, küf veya koku. Karbon filtre yılda en az bir kez temizlenmeli/kurutulmalıdır.

Geri vites the Kapı Sallanmak ile ilgili Senin Cihaz

Bu cihaz sahip olmak the kabiliyet ile ilgili the kapı açılış itibaren herhangi biri the sol veya Sağ Taraf. Cihaz, kapısı sol taraftan açılacak şekilde tarafınıza teslim edilmektedir.

Geri vites kapı yön dır-dir gösterilen gibi aşağıdaki diyagram:

- (1) Almak kapalı vidalar Açık menteşe kapak Açık tepe ile ilgili the kabine Ve Daha sonra ayırmak the kapı itibaren kabine .
- (2) Kaldırmak vidalar Ve menteşe destekçi altında the kabine, Daha sonra tersi the kapı en EKSTRA braketini kullanarak kaidenin montaj deliğine oturtmak için 180°'lik bir açıyla yerleştirin.
- (3) Tutmak the kapı içinde dikey pozisyon, koymak the menteşe kapak Açık tepe ile ilgili the kabine Ve tutturmak vidalarla .



Ayarlama ile ilgili şarap/puro kabine ayak



Aktif karbon filtre

1) Görünüm :



1. İşlev :

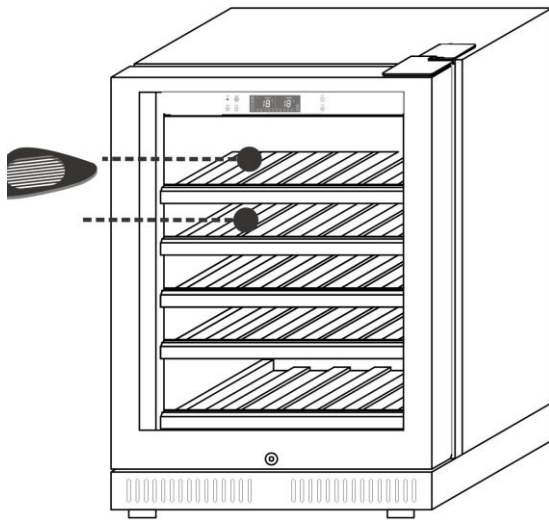
Bu ürün, kabin içindeki anormal tatların sterilize edilmesi ve giderilmesi için tasarlanmıştır.

1.1 Nasıl bakıma :

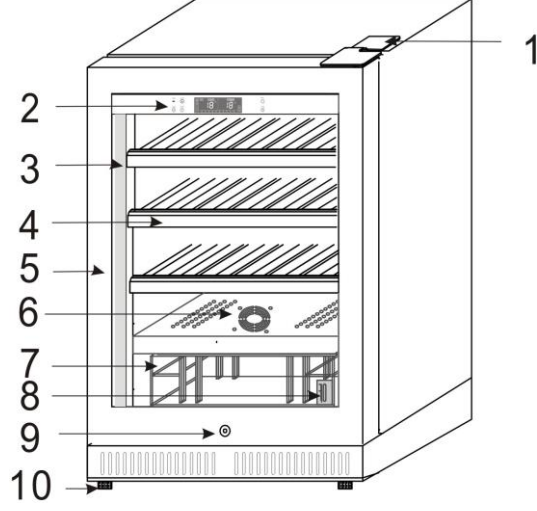
Almak BT dışarı ile ilgili the kabine Her çeyrek Ve ortaya çıkarmak BT ile the güneş için A geri koymadan birkaç saat önce. Tekrar tekrar kullanılabilir.

1.2 Nasıl ile yer BT :

BT olabilmek olmak koymak Açık herhangi konum arasında iki raflar.



YAPI VE FONKSİYONLARI



- 1 Kapı menteşe
- 2 LCD kontrol panel
- 3 Neden olmuş aydınlatma
- 4 Raf için şarap/Puro depolamak
- 5 Kapı çerçeve
- 6 Nemlendirme fan
- 7 su tankı
- 8 su seviye işaretleme
- 9 Emniyet kilit
- 10 Destekleyici ayak

İşletme talimatlar

sen önerildi ile yer the kabine içinde the uzay ile çevreleyen sıcaklık değışen itibaren 0-35 ° C

(32-95 °F) , Ve the çalışma koşullar irade olmak etkilenen eğer the çevreleyen sıcaklık gitmek öte veya önerilen sıcaklıktan daha düşük.

Sıcaklık ayar ◆

kontrol panel için Bekar sıcaklık ayar



- GÜÇ
- LAMBA: anahtar için Neden olmuş aydınlatma
- AYARLAMAK SICAKLIK
- ° C /°F: santigrat/ Fahrenheit anahtar
- KAPALI/AÇIK:

Sol LCD bölmesi, 5 ° C ~22 ° C (40 ° F -72 ° F) arasında değişen ayarlanan sıcaklığı gösterir. tuşuna basılarak ayarlanabilir . anahtar ile ilgili ayarlamak. kontrol sistem irade sahip olmak A yargı için 3 saniye, karşılık gelen dijital tüp yanıp sönecektir. Sıcaklık ayarı 3 saniye boyunca değişmeden kalırsa, sistem karar verecek ve ayarlanan sıcaklık onaylanacak, ardından gerçek sıcaklık göstergesine geri dönecektir. Şarap/puro dolabı bir süre çalıştırıldıktan sonra kabinin içindeki gerçek sıcaklık, ayarlanan sıcaklığa göre çalışacaktır. Sağdaki LCD bölmesi içerideki nemi gösterir the kabine, nem seviye olabilmek olmak ayarlanabilir değişen itibaren %60--%85 bağıl nem, BT olabilmek olmak ayarlanabilir basarak setin anahtarı (RH). Ayarlanmışsa nem kalıntıları değişmedi için 3 saniye, sistem nemi yargılayacak ve ayarlayacak dır-dir onaylanmış, Daha sonra İadeler ile gösterge ile ilgili gerçek nem. Sonrasında the şarap kabine dır-dir koymak Çalıştırıldığında bir süre dolap içi gerçek nem ayarlanan neme göre çalışacaktır. .

Fonksiyonel talimatlar için kontrol panel:

Güç: Bu düğme kontroller Başlangıç Ve Durduruluyor ile ilgili the tüm soğutma sistem. (belirtir güç kaynağının durumu)

° C / °F Bu düğme olabilir anahtar Fahrenheit ile santigrat veya mengene tam tersi, onların sıcaklık gösterge karşılık geliyor. Ne zaman anahtarlama, the karşılık gelen gösterge üzerinde Sağ köşesi dijital tüp olacak başlangıç, Ve kullanıcı olabilmek ayrıca işlemi başlatırken Fahrenheit'i ezberleme prosedürünü de seçin.

Dikkat:

Binaen Farklıya alışkanlık ile ilgili kullanarak the Şarap/Puro soğutucu arasında farklı ülkeler veya alanlarda, kullanıcılar istedikleri zaman sıcaklık ayarını değiştirebilirler, yalnızca “ °F / °C ” düğmesine bir kez basmaları yeterlidir.

▲/▼ (+/-) Bu düğme ilerici kontroller arttırmak veya azalma ile ilgili sıcaklık, Ne zaman sıcaklık aralık : arasında 5-8 ° C (40-47 ° F) , turuncu aydınlatma irade gösterir Açık the altında karşılık gelen göstergesi, bu arada the menzil arasında 9-14 ° C (48-57 °F) , beyaz aydınlatma irade gösterir Açık the ilgili göstergenin altında

ÇALIŞTIR Ne zaman kompresör dır-dir Açık iş, the altında karşılık gelen **NEDEN OLMUŞ** gösterge olabilmek sadece ışık yukarı, kompresörün çalışma durumu göstergenin yanmasından/durmasından anlaşılabilir.



HTR Bu imza gösterir durum ile ilgili termal tazminat ile ilgili the Şarap/Puro soğutucu.. Soğutma sirkülasyon sistemi için kontrol gereksinimi:

Kabin içindeki soğutma sistemi sıcaklık ayarı gereksinimini karşıladığında kompresör çalışmayı durduracaktır. Kabin içindeki sıcaklık kompresörün çalışmasını gerektirecek seviyeye yükseldiğinde başlangıç, olacak girmek the işlem ile ilgili yeniden başlatma, ≥ 5 dakika dır-dir gerekli her biri zaman için Durduruluyor ile ilgili kompresör. Tüm kabinin soğutma sistemini kontrol etmek için **GÜÇ** düğmesini çalıştırıyorsanız, kompresörü yeniden başlatmak için gecikme koruması için 5 dakikalık bir aralık gerekir.

BÖLME dijital görüntülemek ile ilgili sıcaklık içeri kabine .

Kontrol gereklilik için soğutma dolaşım sistem:

Kabin içindeki soğutma sistemi sıcaklık ayarı gereksinimini karşıladığında kompresör çalışmayı durduracaktır. Ne zaman sıcaklık içeri kabine kadar yükselir Seviye Hangi gereklilikler kompresör

başlangıç, girecek the işlem ile ilgili yeniden başlatma, ≥ 5 dakika dır-dir gerekli her biri zaman için Durduruluyor ile ilgili the kompresör. Eğer

Tüm kabinin soğutma sistemini kontrol etmek için GÜÇ düğmesini çalıştırdığınızda, kompresörü yeniden başlatmak için gecikme koruması için 5 dakikalık bir aralık gereklidir.

° C/°F Bu düğme olabilmek anahtar Fahrenheit ile santigrat veya mengene tam tersi, onların sıcaklık gösterege öyle karşılık gelir.

Ne zaman anahtarlama, the karşılık gelen gösterege üzerinde Sağ köşesi dijital tüp olacak başlangıç, Ve kullanıcı olabilmek ayrıca işlemi başlatırken Fahrenheit'i ezberleme prosedürünü de seçin.

Dikkat:

Binaen Farklıya alışkanlık ile ilgili kullanarak Şarap soğutucu arasında farklı ülkeler veya alanlarda, kullanıcılar istedikleri zaman sıcaklık ayarını değiştirebilirler, yalnızca “ F / F ” düğmesine 3 saniye basmaları yeterlidir.

IŞIK (LAMBA) Bu düğme olabilmek kontrol Başlangıç Ve Durduruluyor ile ilgili NEDEN OLMUŞ aydınlatma.

KOŞMAK Kompresör çalışırken aşağıdaki LED sadece yanıp sönebilir, kompresörün çalışma durumu olabilmek olmak yargılanan itibaren aydınlatıcı Ve koyarak dışarı ile ilgili the gösterege. Açık Kontrol panelinde kompresör çalışırken mavi ekranın sol üst köşesinde 'run' yazısı yanacaktır.



Ne zaman sıcaklık içeri the kabine dır-dir daha düşük hariç the ayarlamak sıcaklık, termal

Tazminat sistemi ile ilgili the Şarap soğutucusu çalışmaya başlayacak, kontrol panelinin sağ alt

kısımındaki gösterege yanacaktır.

Ayarlanan sıcaklık kilitledikten sonra, kabinin içindeki gerçek sıcaklığı gösterecek şekilde 3 saniye boyunca yanıp sönecektir. Daha sonrasında, sıcaklık içeri the kabine irade ulaşmak set sıcaklık, dalgalanan yaklaşık±2,5 ° C ile ilgili ayarlamak sıcaklık Hangi normal kabul ediliyor.

düğme güç kontrolleri koşma Ve Durduruluyor ile ilgili bütün sistem ile ilgili şarap soğutucu, Ancak Her Başlatma ve durdurma durumunda sistem, gecikme korumasından 5 saniye sonrasına kadar çalışmayacaktır.

Kendini algılama:

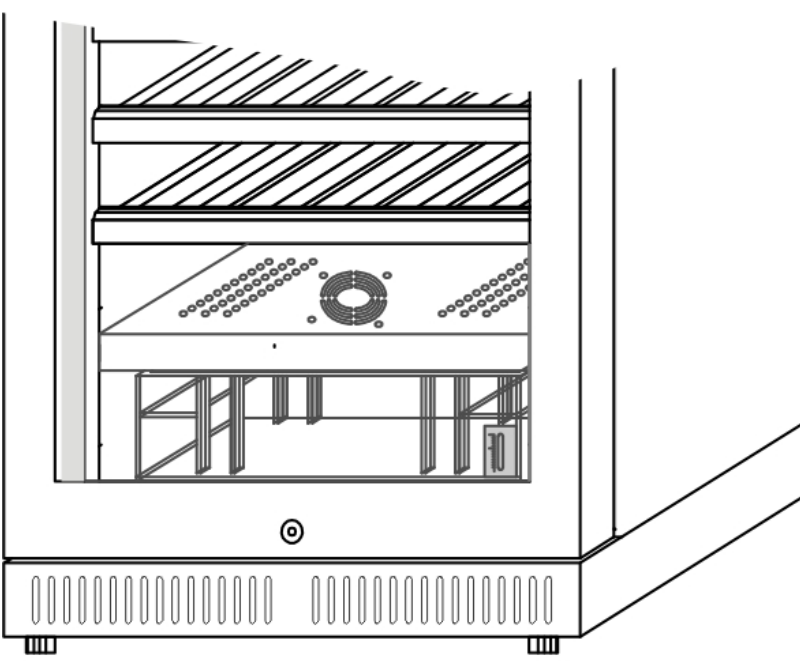
Ne zaman güç dır-dir Açık için the tüm kabine ile dokunmak düğme 'güç', mod ile ilgili kendini algılama irade başlangıç.

İçinde süreç ile ilgili tespit etme, üzerindeki şekil dijital tüp olacak dairesel ol ışıklı yukarı, Tümü elektrik tüm sistemin normal çalışıp çalışmadığını değerlendirebileceğimiz bağlantı noktaları devreye alınacak. 10 saniye sonra algılamanın tamamlanmasının ardından normal çalışma modu otomatik olarak başlayacaktır.

Alarm sistem:

Ne zaman hatalar ile ilgili soğutma sistemler için Tüm modeller ile ilgili Şarap/Puro soğutucular meydana gelmek, sıcaklık içeri the kabine 2 saatten fazla $\geq 30^{\circ}\text{F}$ (86°F) üzerinde çalışırsa , alarm sistemi çalışacak, soğutma sistemi sesli uyarının aralıklı olarak çalışmasıyla otomatik olarak kapanacaktır.

Talimat için dökme su içine su tankı:



Kabinin altındaki su tankını çıkarmak için kapıyı açın ve ardından orta miktarda su (arıtılmış) dökün. su tercihen) içine the tankı binaen ile su kolon ekli Açık BT. Sen öyle önerildi ile Suyu üç ayda bir değiştirin.

Kurulum talimatlar

Notlar önce kurulum.

- ◆ Kaldırmak Tüm the paketlenme malzemeler içeri Ve dıştan the Şarap/Puro soğutucu.
- ◆ kabine meli olmak yerleştirilmiş istikrarlı bir şekilde dikey iksir için en en az iki saat önce güç bağlantı, böylece arıza oluşumunu önlemek için taşıma ve nakliye sürecinde soğutma sistemine verilen zarar azaltılır.
- ◆ İle temizlemek yüzey ile ilgili the kabine ile yumuşak kumaş batırılmış içinde ılık su.

Dikkat puan için kurulum.

- ◆ Tüm bunlar modeller öyle tasarlanmış ile Kurulmuş veya gibi özgür ayakta stiller.
- ◆ Lütfen yer the kabine Açık the zemin Hangi olabilmek Destek tam dolu Yükleniyor ile ilgili şaraplar, Ve ayarlamak Aynı seviyede olmaları için dolabın ön tarafında iki adet destek ayağı bulunmaktadır.

- ◆ Lütfen yapma yer senin kabine kapalı ile çok sıcaklık yayılan aletleri gibi fırın, soba Ve radyatör, bu öğeler kabinin güç tüketimini artıracaktır.
- ◆ İle kaçınmak koyarak the kabine içinde nemli çevre.
- ◆ İçin herhangi sorgu ilişkin güç tedarik, Lütfen danışmak ile the yetkili hizmet merkez

Dikkat için nem.

Ne zaman the puro saklama kutusu dır-dir boş, the nem ile ilgili her biri raf irade olmak daha yüksek hariç the nem ile ilgili the görüntülemek;

İçin örnek: Modeli H120S-C, ayarlamak sıcaklık ile 18 derece, Ve the nem ile %71 bağıl nem. İtibaren yukarıdan aşağıya, ilk raf %73 RH, ikinci raf %75 RH, üçüncü raf %75 RH, dördüncü raf %74 RH ve beşinci raf %74 RH'dir. Altıncı raf %73 bağıl nemdir.

İçin the modeli H320S ile Bekar sıcaklık, o zamandan beri BT sahip olmak A çift kapı Ve Orası dır-dir HAYIR bölme içinde ortada, soldaki nem sağdakinden biraz daha düşük olacaktır.

Benzer şekilde, Ne zaman the kutu dır-dir dolu ile puro/puro öyle koymak içinde, the nem ile ilgili her biri katman olacak olmak boş kabinin neminden farklı. Bu normal.

puro saklama kutusu dır-dir dolu ile puro Ve boşaltılmış puro, the nem için önceki Ve sonra beklenen \pm %5 civarında olacaktır.

Ayrıca iklim nispeten sıcak ve hava nispeten kuru olduğunda kabin içindeki nem de artacaktır. düşürmek biraz, Çünkü Ne zaman the sıcaklık dıştan the puro saklama kutusu dır-dir nispeten yüksek, the puro saklama kutusu soğutulacak ve nemi emecektir.

temizlik Ve Bakım

DİŞ TEMİZLİK

Lütfen temizlemek the dış kabuk Ve kapı sızdırmazlık ile ilgili senin kabine ile sabunlu önce su kurutma kapalı Yumuşak bir bezle, kabini konsantre deterjan ve çizici aletlerle temizlemeniz yasaktır.

İÇ MEKAN TEMİZLİK

Fişi çekin the fiş önce almak dışarı Tümü the şaraplar itibaren the kabine, Daha sonra temizlemek onlara ile su, Ve yumuşak bir bezle kurulayın.

YANINDA OLMAK ZAMAN

İçin kısa terim, özellikle, içinde az hariç üç haftalar, yapabilirsiniz kale the kabine içinde çalışma koşullar. Uzun vadede, bundan daha fazla bir kaç ay lütfen fişini çek fişi. Lütfen Koku ve küf oluşmasını önlemek için kabinin içini temiz tutun . Lütfen dolabın kapısını biraz açık tutun ve gerekirse kapatın .

İPUCLARI İÇİN ENERJİ TASARRUFU

Güneş ışığına maruz kalmayı önleyin.

talimatlar için küçük sorunlar

hatalar	nedenleri
güç bağlantısı kesildi	soket bağlı değil devre kapanıyor veya sigorta yanmış
Kabinin içindeki sıcaklık yeterince düşük olmadığında	ayarlanan sıcaklığı kontrol edin kapıyı sık sık açın kapı sıkıca kapatılmamış uygunsuz sızdırmazlık anormal voltaj
Lamba yanmıyor	Aydınlatma prizini bağlı değilken açmayın devre kapanıyor veya sigorta yanmış Lamba bozuldu
titreşimli	Kabinin düz bir şekilde yerleştirilip yerleştirilmediğini kontrol etmek için
kapı sıkıca kapatılmıyor	kararsız yerleştirme kapı yanlış montaj sızdırmazlık bozulması ahşap raf kapıya çok yaklaşıyor