

# HOOD TYPE DISHWASHER

## CONTENTS

---

<b>A</b>	<b>GENERAL INFORMATION .....</b>	<b>Page 2</b>
A1	PRODUCT DESCRIPTION .....	Page 3
A2	TECHNICAL INFORMATION .....	Page 3
A3	TRANSPORTATION .....	Page 4
A4	UNPACKING .....	Page 4
<b>B</b>	<b>INSTALLATION .....</b>	<b>Page 4</b>
<b>C</b>	<b>SAFETY INSTRUCTIONS .....</b>	<b>Page 5</b>
<b>D</b>	<b>OPERATION .....</b>	<b>Page 6</b>
<b>E</b>	<b>CLEANING &amp; MAINTENANCE.....</b>	<b>Page 7</b>
<b>F</b>	<b>TROUBLESHOOTING .....</b>	<b>Page 8</b>
<b>G</b>	<b>SPARE PART LIST- EXPLODING DRAWING .....</b>	<b>Page 9</b>
<b>H</b>	<b>ELECTRIC CIRCUIT SCHEMA .....</b>	<b>Page 15</b>

## A GENERAL INFORMATION

---

Before installing the appliance, read operation and maintenance instructions carefully. Wrong installation and part changing may damage the product or may cause injury on people. These are not in our company's responsibility to damage the appliance intentionally, negligence, detriments because of disobeying instructions and regulations, wrong connections. Unauthorized intervention to appliance invalidates the warranty.

1. This instruction manual should be kept in a safe place for future reference.
2. **Installation should be made in accordance with ordinances and security rules of that country by a qualified service personnel.**
3. This appliance has to be used by trained person.
4. Please turn off the appliance immediately in the event of malfunction or failure. The appliance should be repaired only by authorized service personnel. Please demand original spare part.

# HOOD TYPE DISHWASHER

## A1 PRODUCT DESCRIPTION

\*The Professional Hood Type Dishwasher ,that provides high efficiency has been designed to be used in industrial kitchens.

Product Code	Dimensions (mm)	Weight (kg)	Packaging Dimensions (mm)
<b>EMP.1000</b>	696x765x1485	112	720x750x1610
<b>EMP.1000-F</b>	696x765x1485	112	720x750x1610

## A2 TECHNICAL INFORMATION

Product Code	EMP.1000	EMP.1000-F
Capacity (Plate/ hour)	1000	1000
Water Consumption (Lt/piece.)	2,5	2,5
Total Power (KW)	9	9
Motor Power (KW)	0,55	0,55
Operating Voltage (V)	380	380
Water Pressure ( bar )	2-4	2-4
Tank Heating Power (KW)	2,5	2,5
Rinsing Tank Power (KW)	6	6
Cable (mm <sup>2</sup> )	5x4	5x4
Fuse (A)	32	32
Program Number	4	4

<b>EMP.1000-F</b>	With Detergent and Polisher Pump
-------------------	----------------------------------

**A3 TRANSPORTATION**

---

\*This appliance can not be moved by hand from area to area.It must be moved on pallet with forklift truck.

**A4 UNPACKING**

---

\*Please unpack the package according to the security codes and ordinances of current country and get rid from the pack.Parts which contacts with food are produced by stainless steel.All plastic parts are marked by material's symbol.

\*Please check that all the parts of appliance had come completely and if they are damaged or not during the shipping.

**B INSTALLATION**

---

\*Please place the product to straight and sturdy ground,please take necessary steps against possibility of overturn.

\*Technician who will serve for installation and service for the appliance must be professional on this subject and must have installation and service licenses by the company.

\*Connection to Electric Power Supply must be done by authorized person.

\*Please be sure that the voltage connected to appliance must be equal with the voltage which is on appliance's label.



This appliance must be connected to an earthed outlet in accordance with safety rules and standards.











\*Appliance's earthing must be connected to earthing line on panel which is nearest to electric installation.

\*Connection to the main fuse and leak current fuse must be done in accordance with the current regulations.

## HOOD TYPE DISHWASHER

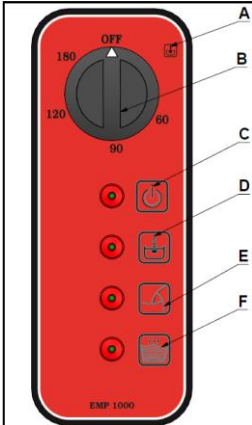
### C SAFETY INSTRUCTIONS

---

-  \*Do not use the appliance in insufficient lighted place.
-  \*Do not touch the moving attachments while the appliance operates.
-  \*Do not install the appliance in the presence of flammable or explosive materials.
-  \*Do not operate the appliance when the machine is empty.
-  \*Do not load so less or more than appliance's capacity.
-  \*Do not attempt to use the appliance without suitable protective equipments.
-  \*Because of any reason if there is a fire or flame flare where the appliance is used, turn off all gas valves and electric contactor switch quickly and use fire extinguisher. Never use water to extinguish the fire.
-  \*All the damages because of not having earthing connection will not be on warranty.
-  \*Do not wash the decorated dishes. Prevent silver wares to contact with the other metals.
-  \*The appliance must be operated under the chimney hood. Otherwise while the appliance is operating or the water vapor that comes from other appliances that works in the area may cause moist and the moist may damage appliance's electrical and mechanical parts. The relative humidity mustn't be more than %65 where the appliance operates.

## D OPERATION

### \*Control Panel;



- A : Water Inlet
- B : Program Option
- C : ON Lamp
- D : Water heated lamp
- E : Washing Lamp
- F : Water inlet-Rinsing lamp

### \* Operating;

- Change the water that is in water tank at least once in a day.
- Before putting the dishes in to the appliance,make prewash with cold or warm water without using any detergent.
- Turn on the water source valve and plug in the appliance.
- In order to take off any residue that remain in storage or pipes,operate the appliance when it is empty.
- Close the appliance's outlet and turn the switch to the right and take 'Water Inlet' position while it is ON position.
- When the appliance is at 'Water Inlet' position,the water enter to the appliance's bowl,when water entrance completed,bowl resistance start to operate in order to heat the water that is in bowl.After heating process 'Ready Lamp' signals.
- Put enough detergent in to the storage.
- Push the basket that you put dirty dishes to the inside and choose suitable washing program.
- Washing process; for hot water and washing with detergent (minimum 55°C),for rinsing with hot water (minimum 75°C).
- After washing process,the appliance will start rinsing process automatically.(Do not open the lid before rinsing process ended).
- At the end of program open the lid and take off the washed basket.Place the other prepared basket.Machine will do washing and rinsing processes at choosen program.

# HOOD TYPE DISHWASHER

## **E      CLEANING & MAINTENANCE**

---

### ➤ **CLEANING AND MAINTENANCE AFTER EVERY USE**

- Always turn off the appliance and disconnect from the power supply before cleaning.
- Evacuate the water by taking off the stopple after every use.(If the machine has evacuation pump use the pump).
- Clean all surfaces of the appliance with hot soapy water after every use.Rinse and dry with a wet cloth.
- Clean the control panel with soft moisty cloth,if necessary use ineffective detergent.
- Do not use abrasive cleaning chemicals as these can leave harmful residues.
- Do not clean the appliance by spraying water directly,otherwise electric motor may get damaged.

### ➤ **PERIODIC CLEANING AND MAINTENANCE**

- Maintenance should be done by qualified person.
- Always leave the outlet opened when the appliance is not operated.
- Clean the limes of the burner,inner surface of the washing tank and water pipes once or twice in a year.
- Clean the limes with using rinsing and washing nozzles once in a month by using vinegar or lime remover.
- Clean the filters in the appliance once in a week.After cleaning be sure that thumbscrew is compressed.
- Clean the appliance's fountains once in 15 days by detaching it.
- Clean the appliance's evacuation stopple and evacuation hoses once in 15 days.



## HOOD TYPE DISHWASHER

### F TROUBLESHOOTING

<b>DISHES ARE NOT WASHED WELL</b>	<ol style="list-style-type: none"><li>1. Clean the pulling filter if it is dirty.</li><li>2. Check the fountains if they are accumulated with residues or not.</li><li>3. Check the amount of detergent.</li><li>4. If the chosen washing program is too less,repeat the program.</li><li>5. Pay attention the storage heat to be 55°C - 65°C.</li><li>6. Be sure that the dishes are placed correctly on baskets.</li><li>7. Check the amount of polisher.Check that if there is polisher or not if necessary add some.</li><li>8. Check the amount of polisher settings.</li><li>9. Pay attention the water heat to be 70°C.</li></ol>
<b>MIST OVER ON CUPS</b>	<ol style="list-style-type: none"><li>1. If there isn't polisher,add some.</li><li>2. Check the amount of polisher.</li><li>3. Take off the cup basket after washing process ended.</li></ol>
<b>STAINS ON CUP</b>	<ol style="list-style-type: none"><li>1. Only use products that are not foaming for the professional dishwashers.</li></ol>
<b>MUCH FOAM AT STORAGE</b>	<ol style="list-style-type: none"><li>1. Pay attention the washing water not to be less than 50°C.</li><li>2. Check the amount of detergent .</li><li>3. If foaming detergent is used,pour it and rinse the storage till the foams are lost.</li></ol>
<b>WASHING OR RINSING HANDLES ARE TURNING SLOWLY</b>	<ol style="list-style-type: none"><li>1. Take off washing handles and clean them.</li><li>2. Clean the washing pump absorbing filter.</li></ol>
<b>VISCIDITY ON CUPS</b>	<ol style="list-style-type: none"><li>1. Reduce the amount of polisher.</li></ol>

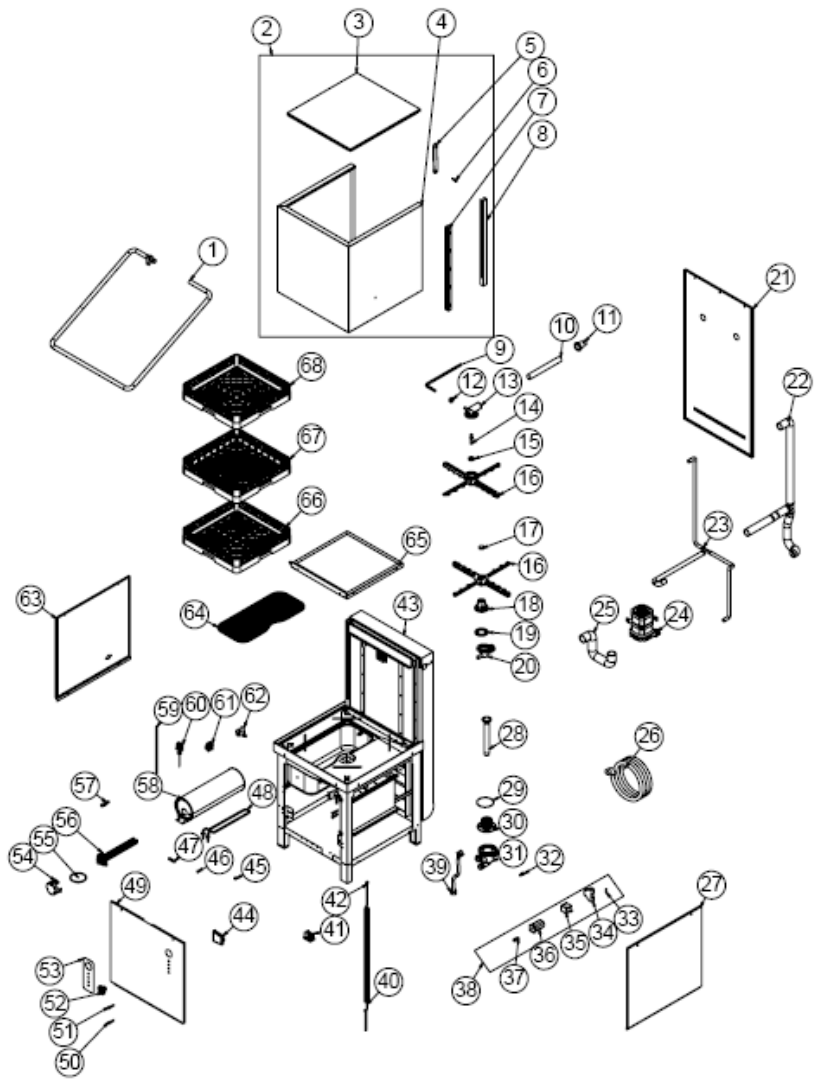
- If dishwashing is not done at suitable quality
- If any function of security doesn't work
  - Do not use the appliance.

**\*If these problems are still going on,contact with our authorized services.**



# HOOD TYPE DISHWASHER

## G SPARE PART LIST-EXPLODING DRAWING



EMP.1000

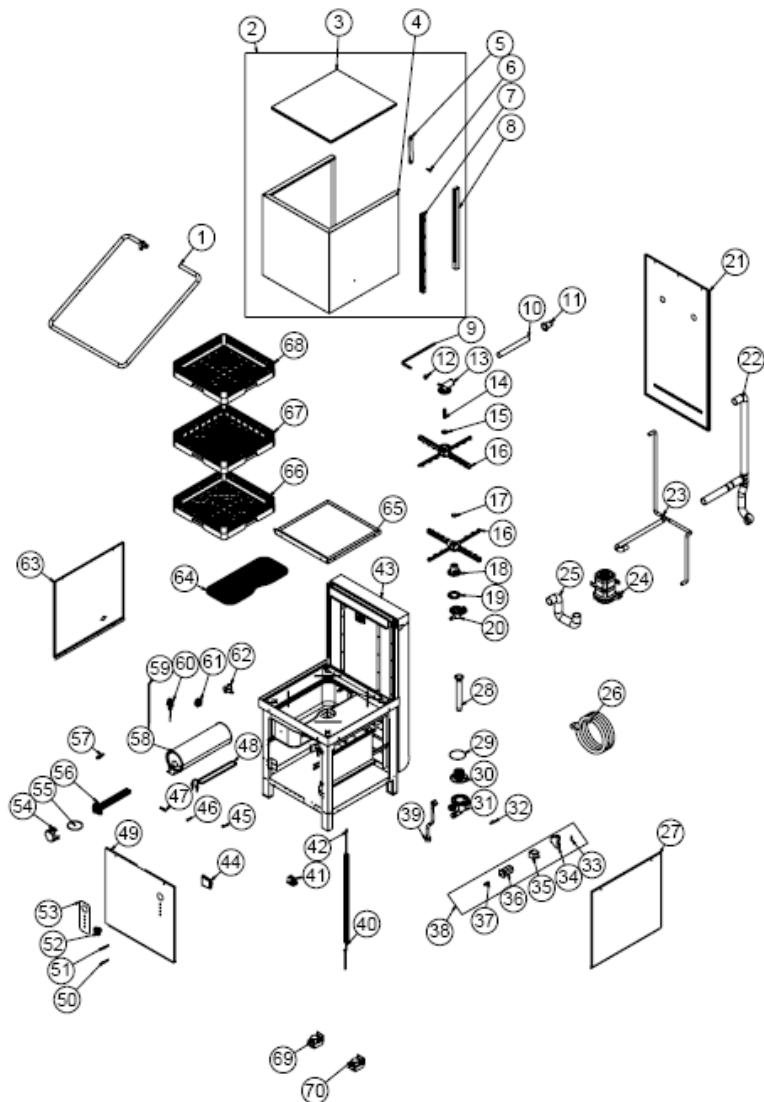
**G SPARE PART LIST-EXPLODING DRAWING**

PRODUCT CODE:EMP.1000		
NO	PRODUCT NAME	P.CODE
1	PIPE	YBR-ERS.BYM-KS-0026
2	COVER	ARA-ERS.BYM-0015
3	COVER TOP SHEET	YSC-ERS.BYM-PN-0249
4	TOP COVER SHEET	YSC-ERS.BYM-PN-0250
5	MOTION ARM PLASTIC	M.ENJ-ERS-PLS-BYM-098
6	CONNECTION SCREW	YTL-ERS.BYM-KS-0069
7	TOP COVER SLIDE	M.ENJ-ERS-PLS-BYM-075
8	SLIDE SHEET	M.MTS-ERS-BYM-009
9	RINSE PIPE	YBR-ERS.BYM-KS-0021
10	UPPER SPRAY PIPE	YBR-ERS.BYM-KS-0022
11	WEDGE LOCATION	M.ENJ-ERS-PLS-BYM-011
12	CONEXION NUT	YTL-ERS.BYM-KS-0030
13	HOSE UPPER ELBOW	M.ENJ-ERS-PLS-BYM-021
14	SPINNING SPINDLE	YTL-ERS.BYM-KS-0001
15	PRESSURE PLASTIC	M.ENJ-ERS-PLS-BYM-059
16	FOUNTAIN	M.ENJ-ERS-PLS-BYM-053
17	SPRAY SCREW	M.ENJ-ERS-PLS-BYM-070
18	LOWER FOUNTAIN CENTER	M.ENJ-ERS-PLS-BYM-027
19	SPRAY GASKET	M.ENJ-ERS-LST-019
20	HOSE LOWER ELBOW	M.ENJ-ERS-PLS-BYM-096
21	BACK COVER SHEET	YSC-ERS.BYM-PN-0230
22	WASHING HOSE	ERS.M.MEK-TES-HRT-009
23	SPRAY DISTRIBUTION HOSE	M.MEK-TES-HRT-039
24	WASHING MOTOR	M.ELK-MTR-PMP-001
25	ENGINE BOILER CONNECTION HOSE	M.MEK-TES-HRT-080
26	WASTE WATER HOSE	M.MEK-TES-HRT-034
27	RIGHT SIDE SHEET	YSC-ERS.BYM-PN-0244
28	DRAIN WEDGE	M.ENJ-ERS-PLS-BYM-115
29	GASKET	M.CNT-ERS-031
30	FILTER COVER	M.ENJ-ERS-PLS-BYM-086
31	FILTER BODY+AIR TRAP	M.ENJ-ERS-PLS-BYM-088
32	DETERGENT ENTRY PLASTIC	M.PLS-ERS-036

## HOOD TYPE DISHWASHER

33	GLASS FUSE 5A	M.ELK-SGR-011
34	WASH TIME RELAY	M.ELK-KNT-ROL-020
35	LC1K0901M7 CONTACTOR	ERS.M.ELK-KNT-KNT-020
36	SWITCH	M.ELK-SLT-PKO-014
37	HORIZONTAL SENSOR	M.ELK-SWC-KTG-005
38	ELECTRICAL PANEL GROUP	M.ELK-PNO-BYM-002
39	HOSE 150CM	ERS.M.MEK-TES-HRT-011
40	TOP COVER SPRING	M.YAY-ERS-041
41	ROLLER FOOT	ERS.M.AKS-AYK-PLS-005
42	SPRING STRING	ERS.M.MUH-042
43	CHASSIS	-
44	AIR TRAP	M.ENJ-ERS-PLS-BYM-019
45	MAGNET	M.MIK-ERS-002
46	ORING	M.CNT-ORG-002
47	INLET PIPE	YBR-ERS.BYM-KS-0001
48	TANK RESISTANCE 230V-2500W	M.ELK-RZS-BRU-BYM-028
49	FRONT SHEET	YSC-ERS.BYM-PN-0245
50	GREEN WARNING LAMP	ERS.M.ELK-LMB-SNY-001
51	YELLOW WARNING LAMP	ERS.M.ELK-LMB-SNY-003
52	SWITCH BUTTON	M.AKS-DGM-MUH-002
53	PANEL LABEL	M.AKS-ETK-LKS-ERS-BYM-003
54	RESISTANCE COVER	M.ENJ-ERS-PLS-BYM-028
55	ORING	M.CNT-ORG-012
56	BOILER RESISTANCE 380V-6000W	M.ELK-RZS-BRU-BYM-029
57	ARM CONNECTION	YTL-ERS.BYM-KS-0028
58	BOILER TANK	M.MEK-TES-BYM-BYL-002
59	PROCESTAT HOSE	HTS-HRT-008
60	THERMOSTAT 0-90°C	M.ELK-MEK-TRM1-008
61	PROCESTAT FLOAT	M.ELK-MUH-001
62	VALVE (14 LT)	M.ELK-SLN-PLS-001
63	LEFT SIDE SHEET	YSC-ERS.BYM-PN-0243
64	FILTER PLASTIC	M.ENJ-ERS-PLS-BYM-116
65	TABLE BODY SHEET	YSC-ERS.BYM-LZ-0307
66	PLATE BASKET	EMP.TB.01
67	GLASS BASKET	EMP.BB.01
68	SPOON FORK BASKET	EMP.KC.01

## G SPARE PART LIST-EXPLODING DRAWING



EMP.1000-F

# HOOD TYPE DISHWASHER

## G SPARE PART LIST-EXPLODING DRAWING

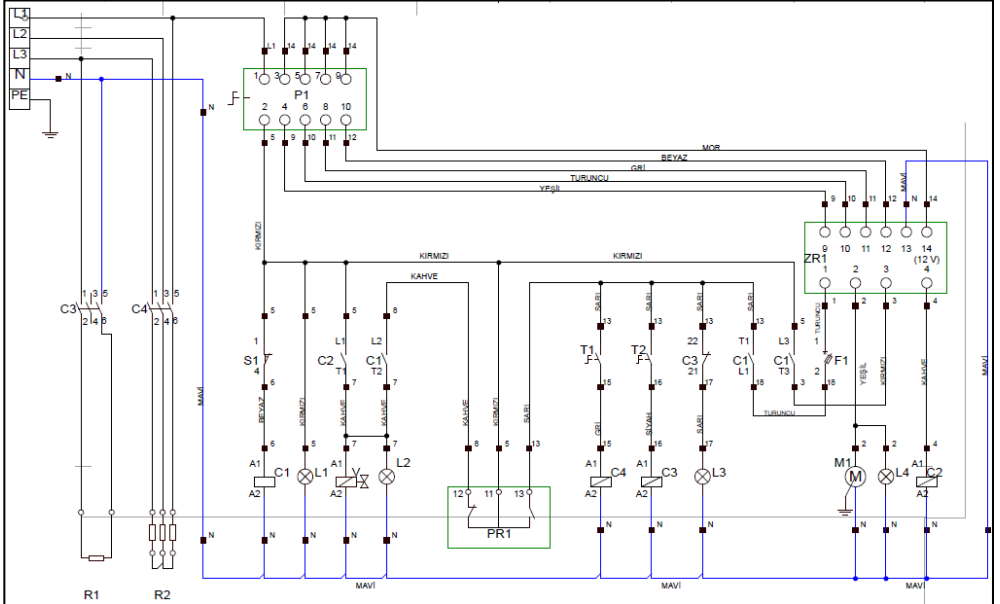
PRODUCT CODE:EMP.1000-F		
NO	PRODUCT NAME	P.CODE
1	PIPE	YBR-ERS.BYM-KS-0026
2	COVER	ARA-ERS.BYM-0015
3	COVER TOP SHEET	YSC-ERS.BYM-PN-0249
4	TOP COVER SHEET	YSC-ERS.BYM-PN-0250
5	MOTION ARM PLASTIC	M.ENJ-ERS-PLS-BYM-098
6	CONNECTION SCREW	YTL-ERS.BYM-KS-0069
7	TOP COVER SLIDE	M.ENJ-ERS-PLS-BYM-075
8	SLIDE SHEET	M.MTS-ERS-BYM-009
9	RINSE PIPE	YBR-ERS.BYM-KS-0021
10	UPPER SPRAY PIPE	YBR-ERS.BYM-KS-0022
11	WEDGE LOCATION	M.ENJ-ERS-PLS-BYM-011
12	CONEXION NUT	YTL-ERS.BYM-KS-0030
13	HOSE UPPER ELBOW	M.ENJ-ERS-PLS-BYM-021
14	SPINNING SPINDLE	YTL-ERS.BYM-KS-0001
15	PRESSURE PLASTIC	M.ENJ-ERS-PLS-BYM-059
16	FOUNTAIN	M.ENJ-ERS-PLS-BYM-053
17	SPRAY SCREW	M.ENJ-ERS-PLS-BYM-070
18	LOWER FOUNTAIN CENTER	M.ENJ-ERS-PLS-BYM-027
19	SPRAY GASKET	M.ENJ-ERS-LST-019
20	HOSE LOWER ELBOW	M.ENJ-ERS-PLS-BYM-096
21	BACK COVER SHEET	YSC-ERS.BYM-PN-0230
22	WASHING HOSE	ERS.M.MEK-TES-HRT-009
23	SPRAY DISTRIBUTION HOSE	M.MEK-TES-HRT-039
24	WASHING MOTOR	M.ELK-MTR-PMP-001
25	ENGINE BOILER CONNECTION HOSE	M.MEK-TES-HRT-080
26	WASTE WATER HOSE	M.MEK-TES-HRT-034
27	RIGHT SIDE SHEET	YSC-ERS.BYM-PN-0244
28	DRAIN WEDGE	M.ENJ-ERS-PLS-BYM-115
29	GASKET	M.CNT-ERS-031
30	FILTER COVER	M.ENJ-ERS-PLS-BYM-086
31	FILTER BODY+AIR TRAP	M.ENJ-ERS-PLS-BYM-088
32	DETERGENT ENTRY PLASTIC	M.PLS-ERS-036
33	GLASS FUSE 5A	M.ELK-SGR-011

## HOOD TYPE DISHWASHER

34	WASH TIME RELAY	M.ELK-KNT-ROL-020
35	LC1K0901M7 CONTACTOR	ERS.M.ELK-KNT-KNT-020
36	SWITCH	M.ELK-SLT-PKO-014
37	HORIZONTAL SENSOR	M.ELK-SWC-KTG-005
38	ELECTRICAL PANEL GROUP	M.ELK-PNO-BYM-002
39	HOSE 150CM	ERS.M.MEK-TES-HRT-011
40	TOP COVER SPRING	M.YAY-ERS-041
41	ROLLER FOOT	ERS.M.AKS-AYK-PLS-005
42	SPRING STRING	ERS.M.MUH-042
43	CHASSIS	-
44	AIR TRAP	M.ENJ-ERS-PLS-BYM-019
45	MAGNET	M.MIK-ERS-002
46	ORING	M.CNT-ORG-002
47	INLET PIPE	YBR-ERS.BYM-KS-0001
48	TANK RESISTANCE 230V-2500W	M.ELK-RZS-BRU-BYM-028
49	FRONT SHEET	YSC-ERS.BYM-PN-0245
50	GREEN WARNING LAMP	ERS.M.ELK-LMB-SNY-001
51	YELLOW WARNING LAMP	ERS.M.ELK-LMB-SNY-003
52	SWITCH BUTTON	M.AKS-DGM-MUH-002
53	PANEL LABEL	M.AKS-ETK-LKS-ERS-BYM-003
54	RESISTANCE COVER	M.ENJ-ERS-PLS-BYM-028
55	ORING	M.CNT-ORG-012
56	BOILER RESISTANCE 380V-6000W	M.ELK-RZS-BRU-BYM-029
57	ARM CONNECTION	YTL-ERS.BYM-KS-0028
58	BOILER TANK	M.MEK-TES-BYM-BYL-002
59	PROCESTAT HOSE	HTS-HRT-008
60	THERMOSTAT 0-90°C	M.ELK-MEK-TRM1-008
61	PROCESTAT FLOAT	M.ELK-MUH-001
62	VALVE (14 LT)	M.ELK-SLN-PLS-001
63	LEFT SIDE SHEET	YSC-ERS.BYM-PN-0243
64	FILTER PLASTIC	M.ENJ-ERS-PLS-BYM-116
65	TABLE BODY SHEET	YSC-ERS.BYM-LZ-0307
66	PLATE BASKET	EMP.TB.01
67	GLASS BASKET	EMP.BB.01
68	SPOON FORK BASKET	EMP.KC.01
69	DETERGENT PUMP	M.ELK-MTR-PMP-006
70	POLISHING PUMP	M.ELK-MTR-PMP-007

# HOOD TYPE DISHWASHER

## H ELECTRIC CIRCUIT SCHEMA



P1	S1	C1	C2	C3	C4	T1	ZR1	T2
5 Progressive Commutator	Magnetic Door Sensor	Boiler Contactor 230V	Washing Contactor 230V	Lid Relay 230V	Washing Relay 230V	Boiler Thermostat (30-90°C)	5 Cycle-cycle Relay (INTER RR-5TG)	Washing Thermostat (30-90°C)

L1	L2	L3	L4	PR1	M1	R1	R2	F1	V
Start lamp	Rinsing lamp	Water is heated lamp	Washing lamp	Prossestat	Washing Motor 0,55 KW 230V	Washing Resistance 2500W 230V	Boiler Resistance 3x2000W 380V	ZR1 Fuse 500mA	Selenoid valve 230V