



UNDERCOUNTER TYPE DISHWASHER

CONTENTS

A	GENERAL INFORMATION	Page 2
A1	PRODUCT DESCRIPTION	Page 3
A2	TECHNICAL INFORMATION	Page 3
A3	TRANSPORTATION	Page 4
A4	UNPACKING	Page 4
B	INSTALLATION	Page 4
C	SAFETY INSTRUCTIONS	Page 5
D	OPERATION	Page 6
E	CLEANING & MAINTENANCE.....	Page 7
F	TROUBLESHOOTING	Page 8
G	SPARE PART LIST- EXPLODING DRAWING	Page 9
H	ELECTRIC CIRCUIT SCHEMA	Page 21

A GENERAL INFORMATION

Before installing the appliance, read operation and maintenance instructions carefully. Wrong installation and part changing may damage the product or may cause injury on people. These are not in our company's responsibility to damage the appliance intentionally, negligence, detriments because of disobeying instructions and regulations, wrong connections. Unauthorized intervention to appliance invalidates the warranty.

1. This instruction manual should be kept in a safe place for future reference.
2. **Installation should be made in accordance with ordinances and security rules of that country by a qualified service personnel.**
3. This appliance has to be used by trained person.
4. Please turn off the appliance immediately in the event of malfunction or failure. The appliance should be repaired only by authorized service personnel. Please demand original spare part.



UNDERCOUNTER TYPE DISHWASHER

A1 PRODUCT DESCRIPTION

*The Professional Undercounter Type Dishwasher ,that provides high efficiency has been designed to be used in industrial kitchens.

Product Code	Dimensions (mm)	Weight (kg)	Packaging Dimensions (mm)
EMP.500	590x700x820	67	725x650x970

A2 TECHNICAL INFORMATION

Product Code	EMP.500	EMP.500-380	EMP.500-F	EMP.500-380-F
Capacity (Plate/ hour)	500	500	500	500
Water Consumption (Lt/Piece.)	2,5	2,5	2,5	2,5
Total Power (KW)	6	6	3.55	6
Motor Power (KW)	0,55	0,55	0,55	0,55
Operating Voltage (V)	220	380-400	220-230	380-400
Water Pressure (bar)	4	2-4	2-4	2-4
Washing Tank Power (KW)	2,5	2.5	2.5	2.5
Rinsing Tank Power (KW)	5	5	3	5
Cable (mm ²)	3x2,5	5x4	3x2.5	5x4
Fuse (A)	32	25	25	25
Max.Plate Diameter (Ø mm)	320			
Program Number (°C)	3			

EMP.500-F	With detergent and pump pump
EMP.500-380-F	



UNDERCOUNTER TYPE DISHWASHER

A3 TRANSPORTATION

*This appliance can not be moved by hand from area to area. It must be moved on pallet with forklift truck.

A4 UNPACKING

*Please unpack the package according to the security codes and ordinances of current country and get rid from the pack. Parts which contacts with food are produced by stainless steel. All plastic parts are marked by material's symbol.

*Please check that all the parts of appliance had come completely and if they are damaged or not during the shippin.

B INSTALLATION

*Please place the product to straight and sturdy ground, please take necessary steps against possibility of overturn.

*Technician who will serve for installation and service for the appliance must be professional on this subject and must have installation and service licenses by the company.

*Connection to Electric Power Supply must be done by authorized person.

*Please be sure that the voltage connected to appliance must be equal with the voltage which is on appliance's label.












This appliance must be connected to an earthed outlet in accordance with safety rules and standards.

*Appliance's earthing must be connected to earthing line on panel which is nearest to electric installation.

*Connection to the main fuse and leak current fuse must be done in accordance with the current regulations.

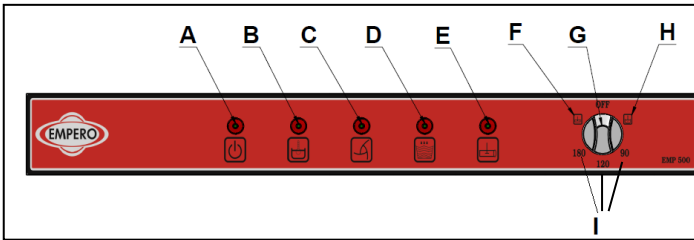
UNDERCOUNTER TYPE DISHWASHER

C SAFETY INSTRUCTIONS

-  *Do not use the appliance in insufficient lighted place.
-  *Do not touch the moving attachments while the appliance operates.
-  *Do not install the appliance in the presence of flammable or explosive materials.
-  *Do not operate the appliance when the machine is empty.
-  *Do not load so less or more than appliance's capacity.
-  *Do not attempt to use the appliance without suitable protective equipments.
-  *Because of any reason if there is a fire or flame flare where the appliance is used, turn off all gas valves and electric contactor switch quickly and use fire extinguisher. Never use water to extinguish the fire.
-  *All the damages because of not having earthing connection will not be on warranty.
-  *Do not wash the decorated dishes. Prevent silver wares to contact with the other metals.

D OPERATION

*Control Panel;



- A** : Appliance ON lamp
- B** : Water heated lamp
- C** : Washing lamp
- D** : Water getting /rinsing
- E** : Evacuation lamp
- F** : Evacuation position
- G** : Appliance OFF position
- H** : Water inlet
- I** : Washing program

*Operating;

- Change the water that is in water tank 3 times in a day.
- Before putting the dishes in to the appliance,make prewash with cold or warm water without using any detergent.
- Turn on the water source valve and plug in the appliance.
- In order to take off any residue that remain in storage or pipes,operate the appliance when it is empty.
- When the appliance is at OFF position,get "water inlet" by switching to right.If "water heated lamp" signals ,it indicates that the power is given to the dishwasher,water is given and heated.
- Open the appliance's lid and put enough detergent into the storage.(If detergent pump is not connected).
- Place the dirty dishes on baskets.
- Close the lid and choose the suitable washing program.Connected indicator lamp signals and washing starts.
- Washing process; for hot water and washing with detergent (minimum 55°C) ,for rinsing with hot water and polisher (minimum 75°C).
- After washing process,the appliance will start the automatic rinsing program.
- At the end of program,open the lid and take off washed basket.Place another basket to be washed.The machine will do washing and rinsing process at chosen program.

UNDERCOUNTER TYPE DISHWASHER

E CLEANING & MAINTENANCE

➤ **CLEANING AND MAINTENANCE AFTER EVERY USE**

- Always turn off the appliance and disconnect from the power supply before cleaning.
- Evacuate the water by taking off the stopple and switching to evacuation position after every use.
- Clean all surfaces of the appliance with hot soapy water after every use. Rinse and dry with a wet cloth.
- Clean the control panel with soft moist cloth, if necessary use ineffective detergent.
- Do not use abrasive cleaning chemicals as these can leave harmful residues.
- Do not clean the appliance by spraying water directly, otherwise electric motor may get damaged.

➤ **PERIODIC CLEANING AND MAINTENANCE**

- Maintenance should be done by qualified person.
- Clean the limes of the burner, inner surface of the washing tank and water pipes once or twice in a year.
- Clean the limes with using rinsing and washing nozzles once in a month by using vinegar or lime remover.
- Clean the filters in the appliance once in a week. After cleaning be sure that thumbscrew is compressed.
- Clean the appliance's fountains once in 15 days by detaching it.
- Clean the appliance's evacuation stopple and evacuation hoses once in 15 days.

UNDERCOUNTER TYPE DISHWASHER

F TROUBLESHOOTING

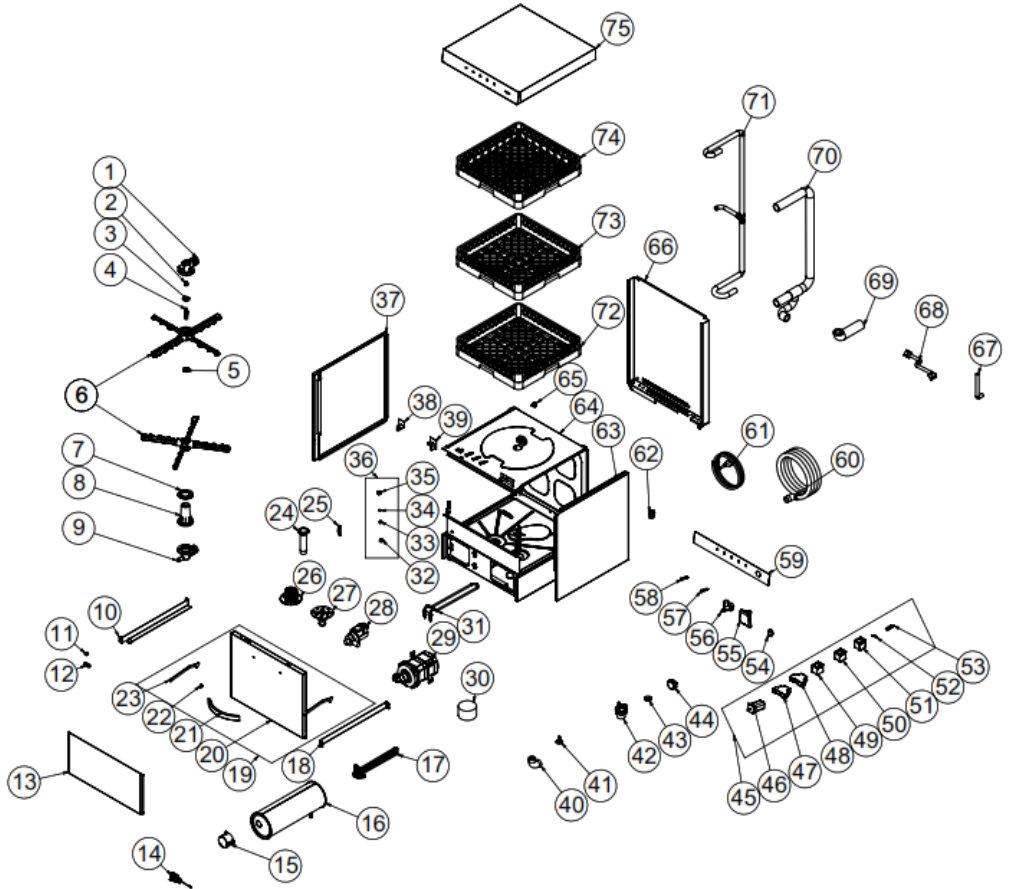
THE APPLIANCE DOESN'T WASH WELL	<ol style="list-style-type: none"> 1. Clean the absorbing filter if it is dirty. 2. Check the washing nozzles if they are accumulated with residues or not. 3. Check the amount of detergent. 4. If chosen washing program is too less,repeat the program. 5. Check if the plates are placed to the baskets correctly.
CUPS AND PLATES ARE NOT DRIED WELL	<ol style="list-style-type: none"> 1. If there is polisher or not,if not add some. 2. Check the amount of polisher.
MIST OVER ON CUPS	<ol style="list-style-type: none"> 1. After washing process ,take off the cups from baskets.
CORROSION ON CUPS	<ol style="list-style-type: none"> 1. Only use products that are not foaming for the professional dishwashers.
MUCH FOAM AT STORAGE	<ol style="list-style-type: none"> 1. Check the amount of detergent . 2. If foaming detergent is used,pour it and rinse the storage till the foams are lost. 3. Do not wash with cold water, wait for the warmed lamp
WASHING OR RINSING HANDLES ARE TURNING SLOWLY	<ol style="list-style-type: none"> 1. Take off washing handles and clean them. 2. Clean the washing pump absorbing filter. 3. Check the rinse water pressure
VISCIDITY AND SPOTS ON CUPS	<ol style="list-style-type: none"> 1. Reduce the amount of polisher.

- If dishwashing is not done at suitable quality
- If any function of security doesn't work
 - Do not use the appliance.

***If these problems are still going on,contact with our authorized services.**

UNDERCOUNTER TYPE DISHWASHER

G SPARE PART LIST-EXPLODING DRAWING



EMP.500

UNDERCOUNTER TYPE DISHWASHER

G SPARE PART LIST-EXPLODING DRAWING

PRODUCT CODE : EMP.500		
NO	PRODUCT NAME	P. CODE
1	HOSE UPPER ELBOW	M.ENJ-ERS-PLS-BYM-097
2	CENTER BUSH	YTL-ERS.BYM-KS-0014
3	PRESSURE PLASTIC	M.ENJ-ERS-PLS-BYM-059
4	SPINNING SPINDLE	YTL-ERS.BYM-KS-0001
5	SPRAY SCREW	M.ENJ-ERS-PLS-BYM-070
6	FOUNTAIN	M.ENJ-ERS-PLS-BYM-053
7	SPRAY GASKET	M.ENJ-ERS-LST-019
8	LOWER FOUNTAIN CENTER	M.ENJ-ERS-PLS-BYM-020
9	HOSE LOWER ELBOW	M.ENJ-ERS-PLS-BYM-096
10	RIGHT SLIDE SHEET	YSC-ERS.BYM-LZ-0005
11	MAGNET	M.MIK-ERS-001
12	MAGNET LOCATION	M.ENJ-ERS-PLS-BYM-001
13	BOTTOM COVER SHEET	YSC-ERS.BYM-LZ-0452
14	THERMOSTAT 0-90°C	M.ELK-MEK-TRM1-008
15	RESISTANCE COVER	M.ENJ-ERS-PLS-BYM-025
16	BOILER TANK	M.MEK-TES-BYM-BYL-001
17	BOILER RESISTANCE 220V-5000W	M.ELK-RZS-BRU-BYM-030
18	LEFT SLIDE SHEET	YSC-ERS.BYM-LZ-0004
19	COVER	ARA-ERS.BYM-0012
20	COVER OUTER SHEET	YSC-ERS.BYM-PN-0344
21	COVER HANDLE	ERS.M.AKS-KLP-INX-003
22	SLEEVE PART	YTL-ERS.BYM-KS-0119
23	TOP COVER HANDLE	YSC-ERS.BYM-LZ-0455
24	DRAIN WEDGE	M.ENJ-ERS-PLS-BYM-016
25	WEDGE PLASTIC	M.ENJ-ERS-PLS-BYM-017
26	FILTER COVER	M.ENJ-ERS-PLS-BYM-086
27	DISCHARGE WEDGE LOCATION	M.ENJ-ERS-PLS-BYM-112
28	DRAIN PUMP	M.ELK-MTR-PMP-002
29	WASHING MOTOR	M.ELK-MTR-PMP-001
30	FILTER	M.ENJ-ERS-PLS-BYM-041
31	TANK RESISTANCE 230V-2500W	M.ELK-RZS-BRU-BYM-028
32	LOCK KIT SPRING PLACE	YTL-ERS.BYM-KS-0073
33	COVER LOCK SPRING	M.YAY-ERS-035
34	BALL	M.MUH-021
35	LOCK BODY	YTL-ERS.BYM-KS-0072
36	COVER LOCK	ARA-ERS.BYM-0013

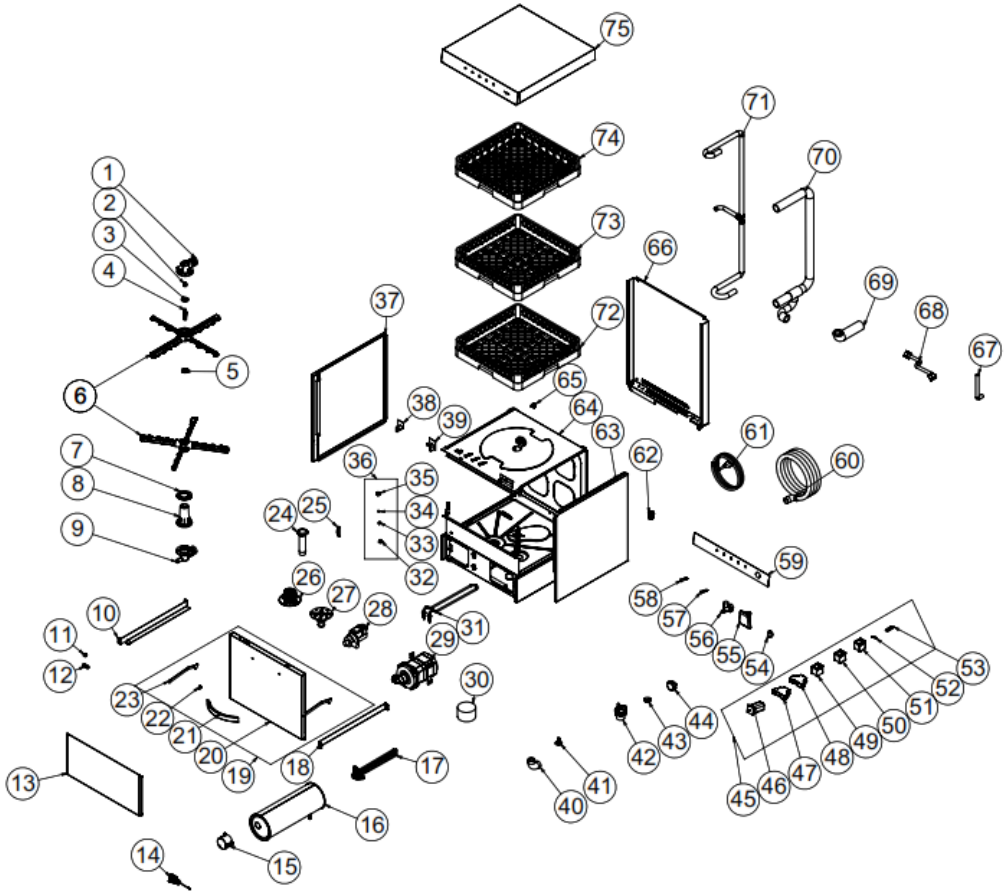


UNDERCOUNTER TYPE DISHWASHER

37	RIGHT SIDE SHEET	YSC-ERS.BYM-PN-0347
38	CORNER PLASTIC RIGHT	M.ENJ-ERS-PLS-BYM-061
39	CORNER PLASTIC LEFT	M.ENJ-ERS-PLS-BYM-062
40	WASHING PUMP HOSE	ERS.M.MEK-TES-HRT-014
41	FOOT	M.AKS-AYK-INX-004
42	FILTER LOCATION	M.ENJ-ERS-PLS-BYM-018
43	FILTER NUT	M.ENJ-ERS-PLS-BYM-113
44	PROCESTAT FLOAT	M.ELK-MUH-001
45	ELECTRICAL PANEL GROUP	M.ELK-PNO-BYM-001
46	SWITCH	M.ELK-SLT-PKO-011
47	evacuation time relay	M.ELK-KNT-ROL-026
48	WASH TIME RELAY	M.ELK-KNT-ROL-020
49	LC1K0901M7 CONTACTOR	ERS.M.ELK-KNT-KNT-020
50	CONTACTOR LC1K0910M	ERS.M.ELK-KNT-KNT-021
51	LC1K1210M7 CONTACTOR	ERS.M.ELK-KNT-KNT-022
52	GLASS FUSE 5A	M.ELK-SGR-011
53	HORIZONTAL SENSOR	M.ELK-SWC-KTG-005
54	SWITCH BUTTON	ERS.M.AKS-DGM-MUH-001
55	AIR TRAP	M.ENJ-ERS-PLS-BYM-019
56	VALVE (14 LT)	M.ELK-SLN-PLS-001
57	GREEN WARNING LAMP	ERS.M.ELK-LMB-SNY-001
58	YELLOW WARNING LAMP	ERS.M.ELK-LMB-SNY-003
59	PANEL LABEL	M.AKS-ETK-LKS-ERS-BYM-014
60	WASTE WATER HOSE	M.MEK-TES-HRT-033
61	3*2.5 MM CABLE	HEL-KB-TT-3*2,5-SYH
62	PG-16 CABLE FITTING	M.ELK-RKR-PLS-004
63	LEFT SIDE SHEET	YSC-ERS.BYM-PN-0346
64	CHASSIS	-
65	DETERGENT ENTRY PLASTIC	M.PLS-ERS-036
66	BACK COVER SHEET	YSC-ERS.BYM-PN-0010
67	VALVE HOSE	ERS.M.MEK-TES-HRT-006
68	HOSE 150CM	ERS.M.MEK-TES-HRT-011
69	PUMP HOSE	ERS.M.MEK-TES-HRT-002
70	WATER INLET HOSE	M.MEK-TES-HRT-001
71	SPRAY DISTRIBUTION HOSE	M.MEK-TES-HRT-003
72	PLATE BASKET	EMP.TB.01
73	SPOON FORK BASKET	EMP.KC.01
74	GLASS BASKET	EMP.BB.01
75	TOP COVER SHEET	YSC-ERS.BYM-LZ-0448

UNDERCOUNTER TYPE DISHWASHER

G SPARE PART LIST-EXPLODING DRAWING



EMP.500-380

UNDERCOUNTER TYPE DISHWASHER

G SPARE PART LIST-EXPLODING DRAWING

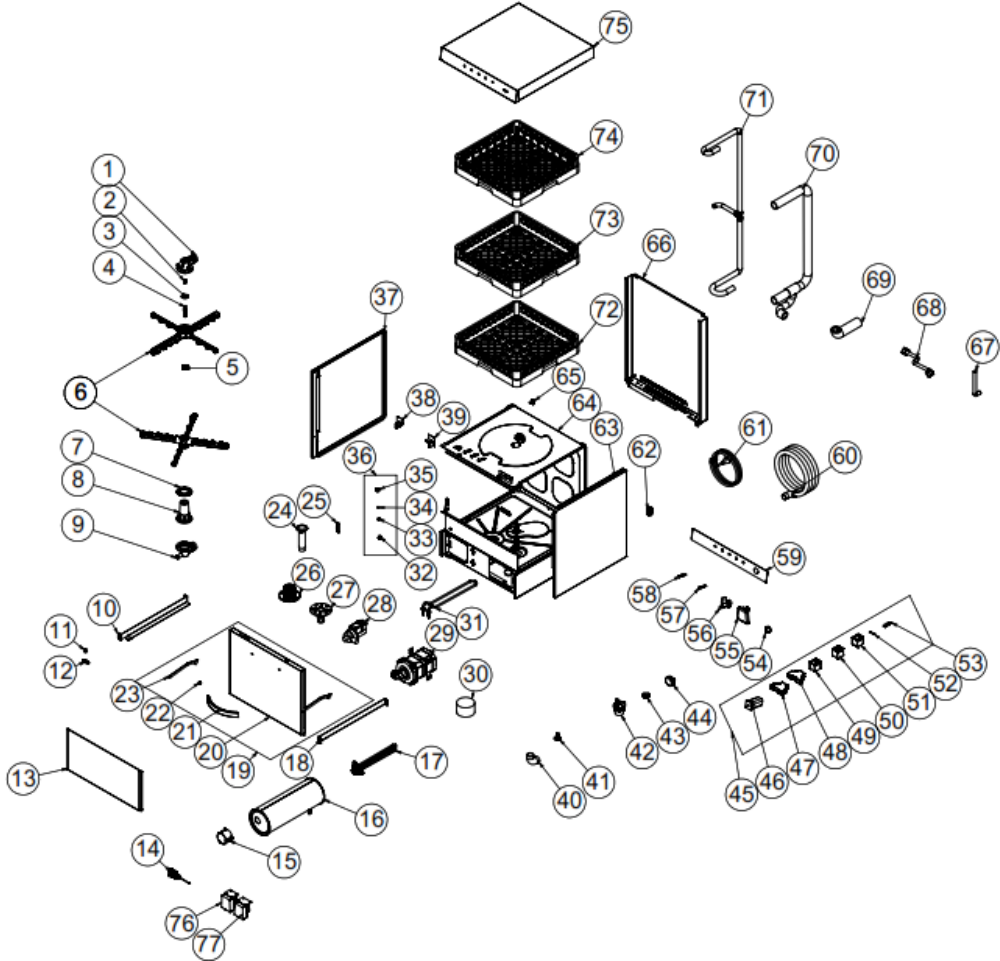
PRODUCT CODE : EMP.500-380		
NO	PRODUCT NAME	P. CODE
1	HOSE UPPER ELBOW	M.ENJ-ERS-PLS-BYM-097
2	CENTER BUSH	YTL-ERS.BYM-KS-0014
3	PRESSURE PLASTIC	M.ENJ-ERS-PLS-BYM-059
4	SPINNING SPINDLE	YTL-ERS.BYM-KS-0001
5	SPRAY SCREW	M.ENJ-ERS-PLS-BYM-070
6	FOUNTAIN	M.ENJ-ERS-PLS-BYM-053
7	SPRAY GASKET	M.ENJ-ERS-LST-019
8	LOWER FOUNTAIN CENTER	M.ENJ-ERS-PLS-BYM-020
9	HOSE LOWER ELBOW	M.ENJ-ERS-PLS-BYM-096
10	RIGHT SLIDE SHEET	YSC-ERS.BYM-LZ-0005
11	MAGNET	M.MIK-ERS-001
12	MAGNET LOCATION	M.ENJ-ERS-PLS-BYM-001
13	BOTTOM COVER SHEET	YSC-ERS.BYM-LZ-0452
14	THERMOSTAT 0-90°C	M.ELK-MEK-TRM1-008
15	RESISTANCE COVER	M.ENJ-ERS-PLS-BYM-025
16	BOILER TANK	M.MEK-TES-BYM-BYL-001
17	BOILER RESISTANCE 220V-5000W	M.ELK-RZS-BRU-BYM-030
18	LEFT SLIDE SHEET	YSC-ERS.BYM-LZ-0004
19	COVER	ARA-ERS.BYM-0012
20	COVER OUTER SHEET	YSC-ERS.BYM-PN-0344
21	COVER HANDLE	ERS.M.AKS-KLP-INX-003
22	SLEEVE PART	YTL-ERS.BYM-KS-0119
23	TOP COVER HANDLE	YSC-ERS.BYM-LZ-0455
24	DRAIN WEDGE	M.ENJ-ERS-PLS-BYM-016
25	WEDGE PLASTIC	M.ENJ-ERS-PLS-BYM-017
26	FILTER COVER	M.ENJ-ERS-PLS-BYM-086
27	DISCHARGE WEDGE LOCATION	M.ENJ-ERS-PLS-BYM-112
28	DRAIN PUMP	M.ELK-MTR-PMP-002
29	WASHING MOTOR	M.ELK-MTR-PMP-001
30	FILTER	M.ENJ-ERS-PLS-BYM-041
31	TANK RESISTANCE 230V-2500W	M.ELK-RZS-BRU-BYM-028
32	LOCK KIT SPRING PLACE	YTL-ERS.BYM-KS-0073
33	COVER LOCK SPRING	M.YAY-ERS-035
34	BALL	M.MUH-021
35	LOCK BODY	YTL-ERS.BYM-KS-0072
36	COVER LOCK	ARA-ERS.BYM-0013
37	RIGHT SIDE SHEET	YSC-ERS.BYM-PN-0347

UNDERCOUNTER TYPE DISHWASHER

38	CORNER PLASTIC RIGHT	M.ENJ-ERS-PLS-BYM-061
39	CORNER PLASTIC LEFT	M.ENJ-ERS-PLS-BYM-062
40	WASHING PUMP HOSE	ERS.M.MEK-TES-HRT-014
41	FOOT	M.AKS-AYK-INX-004
42	FILTER LOCATION	M.ENJ-ERS-PLS-BYM-018
43	FILTER NUT	M.ENJ-ERS-PLS-BYM-113
44	PROCESTAT FLOAT	M.ELK-MUH-001
45	ELECTRICAL PANEL GROUP	M.ELK-EDM-DGT-048
46	SWITCH	M.ELK-SLT-PKO-011
47	evacuation time relay	M.ELK-KNT-ROL-026
48	WASH TIME RELAY	M.ELK-KNT-ROL-020
49	LC1K0901M7 CONTACTOR	ERS.M.ELK-KNT-KNT-020
50	CONTACTOR LC1K0910M	ERS.M.ELK-KNT-KNT-021
51	LC1K1210M7 CONTACTOR	ERS.M.ELK-KNT-KNT-022
52	GLASS FUSE 5A	M.ELK-SGR-011
53	HORIZONTAL SENSOR	M.ELK-SWC-KTG-005
54	SWITCH BUTTON	ERS.M.AKS-DGM-MUH-001
55	AIR TRAP	M.ENJ-ERS-PLS-BYM-019
56	VALVE (14 LT)	M.ELK-SLN-PLS-001
57	GREEN WARNING LAMP	ERS.M.ELK-LMB-SNY-001
58	YELLOW WARNING LAMP	ERS.M.ELK-LMB-SNY-003
59	PANEL LABEL	M.AKS-ETK-LKS-ERS-BYM-014
60	WASTE WATER HOSE	M.MEK-TES-HRT-033
61	5*4.00MM CABLE	HEL-KB-TT-5*4-BYZ
62	PG-16 CABLE FITTING	M.ELK-RKR-PLS-004
63	LEFT SIDE SHEET	YSC-ERS.BYM-PN-0346
64	CHASSIS	-
65	DETERGENT ENTRY PLASTIC	M.PLS-ERS-036
66	BACK COVER SHEET	YSC-ERS.BYM-PN-0010
67	VALVE HOSE	ERS.M.MEK-TES-HRT-006
68	HOSE 150CM	ERS.M.MEK-TES-HRT-011
69	PUMP HOSE	ERS.M.MEK-TES-HRT-002
70	WATER INLET HOSE	M.MEK-TES-HRT-001
71	SPRAY DISTRIBUTION HOSE	M.MEK-TES-HRT-003
72	PLATE BASKET	EMP.TB.01
73	SPOON FORK BASKET	EMP.KC.01
74	GLASS BASKET	EMP.BB.01
75	TOP COVER SHEET	YSC-ERS.BYM-LZ-0448

UNDERCOUNTER TYPE DISHWASHER

G SPARE PART LIST-EXPLODING DRAWING



EMP.500-F

UNDERCOUNTER TYPE DISHWASHER

G SPARE PART LIST-EXPLODING DRAWING

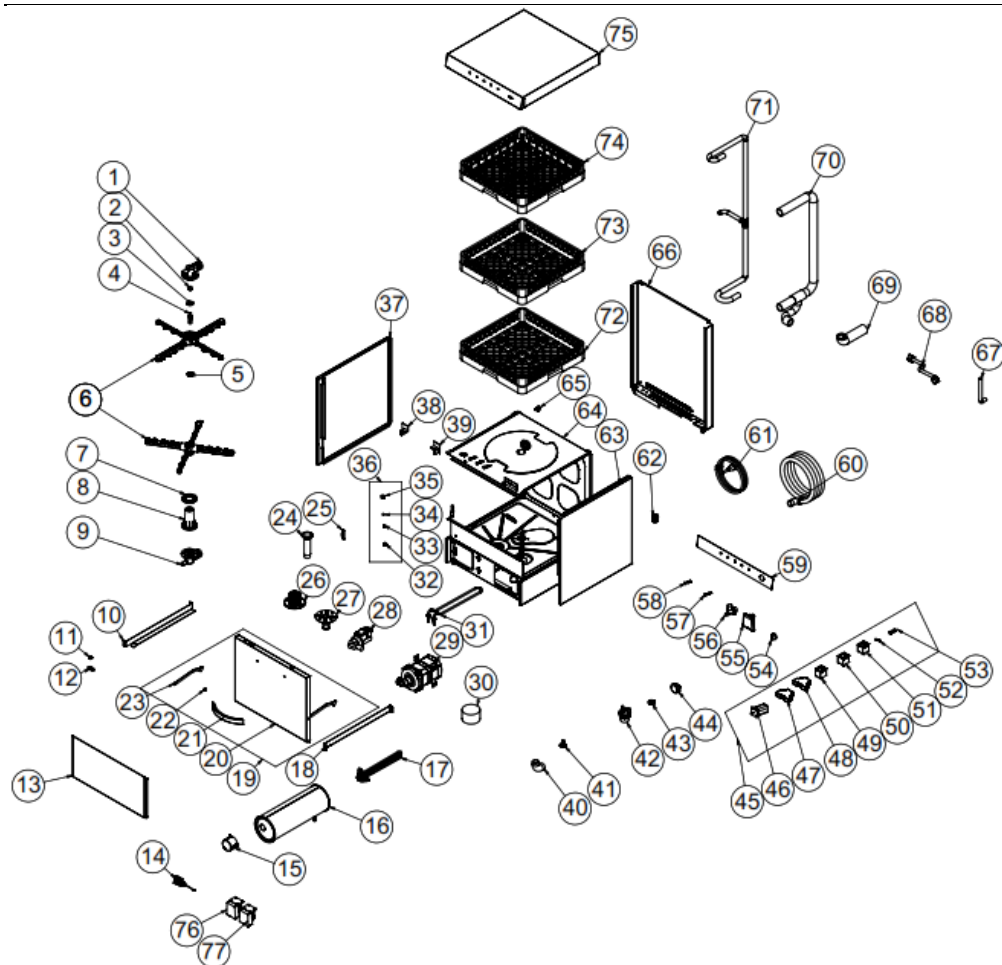
PRODUCT CODE : EMP.500-F		
NO	PRODUCT NAME	P. CODE
1	HOSE UPPER ELBOW	M.ENJ-ERS-PLS-BYM-097
2	CENTER BUSH	YTL-ERS.BYM-KS-0014
3	PRESSURE PLASTIC	M.ENJ-ERS-PLS-BYM-059
4	SPINNING SPINDLE	YTL-ERS.BYM-KS-0001
5	SPRAY SCREW	M.ENJ-ERS-PLS-BYM-070
6	FOUNTAIN	M.ENJ-ERS-PLS-BYM-053
7	SPRAY GASKET	M.ENJ-ERS-LST-019
8	LOWER FOUNTAIN CENTER	M.ENJ-ERS-PLS-BYM-020
9	HOSE LOWER ELBOW	M.ENJ-ERS-PLS-BYM-096
10	RIGHT SLIDE SHEET	YSC-ERS.BYM-LZ-0005
11	MAGNET	M.MIK-ERS-001
12	MAGNET LOCATION	M.ENJ-ERS-PLS-BYM-001
13	BOTTOM COVER SHEET	YSC-ERS.BYM-LZ-0452
14	THERMOSTAT 0-90°C	M.ELK-MEK-TRM1-008
15	RESISTANCE COVER	M.ENJ-ERS-PLS-BYM-025
16	BOILER TANK	M.MEK-TES-BYM-BYL-001
17	BOILER RESISTANCE 220V-5000W	M.ELK-RZS-BRU-BYM-030
18	LEFT SLIDE SHEET	YSC-ERS.BYM-LZ-0004
19	COVER	ARA-ERS.BYM-0012
20	COVER OUTER SHEET	YSC-ERS.BYM-PN-0344
21	COVER HANDLE	ERS.M.AKS-KLP-INX-003
22	SLEEVE PART	YTL-ERS.BYM-KS-0119
23	TOP COVER HANDLE	YSC-ERS.BYM-LZ-0455
24	DRAIN WEDGE	M.ENJ-ERS-PLS-BYM-016
25	WEDGE PLASTIC	M.ENJ-ERS-PLS-BYM-017
26	FILTER COVER	M.ENJ-ERS-PLS-BYM-086
27	DISCHARGE WEDGE LOCATION	M.ENJ-ERS-PLS-BYM-112
28	DRAIN PUMP	M.ELK-MTR-PMP-002
29	WASHING MOTOR	M.ELK-MTR-PMP-001
30	FILTER	M.ENJ-ERS-PLS-BYM-041
31	TANK RESISTANCE 230V-2500W	M.ELK-RZS-BRU-BYM-028
32	LOCK KIT SPRING PLACE	YTL-ERS.BYM-KS-0073
33	COVER LOCK SPRING	M.YAY-ERS-035
34	BALL	M.MUH-021
35	LOCK BODY	YTL-ERS.BYM-KS-0072
36	COVER LOCK	ARA-ERS.BYM-0013
37	RIGHT SIDE SHEET	YSC-ERS.BYM-PN-0347

UNDERCOUNTER TYPE DISHWASHER

38	CORNER PLASTIC RIGHT	M.ENJ-ERS-PLS-BYM-061
39	CORNER PLASTIC LEFT	M.ENJ-ERS-PLS-BYM-062
40	WASHING PUMP HOSE	ERS.M.MEK-TES-HRT-014
41	FOOT	M.AKS-AYK-INX-004
42	FILTER LOCATION	M.ENJ-ERS-PLS-BYM-018
43	FILTER NUT	M.ENJ-ERS-PLS-BYM-113
44	PROCESTAT FLOAT	M.ELK-MUH-001
45	ELECTRICAL PANEL GROUP	M.ELK-PNO-BYM-001
46	SWITCH	M.ELK-SLT-PKO-011
47	evacuation time relay	M.ELK-KNT-ROL-026
48	WASH TIME RELAY	M.ELK-KNT-ROL-020
49	LC1K0901M7 CONTACTOR	ERS.M.ELK-KNT-KNT-020
50	CONTACTOR LC1K0910M	ERS.M.ELK-KNT-KNT-021
51	LC1K1210M7 CONTACTOR	ERS.M.ELK-KNT-KNT-022
52	GLASS FUSE 5A	M.ELK-SGR-011
53	HORIZONTAL SENSOR	M.ELK-SWC-KTG-005
54	SWITCH BUTTON	ERS.M.AKS-DGM-MUH-001
55	AIR TRAP	M.ENJ-ERS-PLS-BYM-019
56	VALVE (14 LT)	M.ELK-SLN-PLS-001
57	GREEN WARNING LAMP	ERS.M.ELK-LMB-SNY-001
58	YELLOW WARNING LAMP	ERS.M.ELK-LMB-SNY-003
59	PANEL LABEL	M.AKS-ETK-LKS-ERS-BYM-014
60	WASTE WATER HOSE	M.MEK-TES-HRT-033
61	3*2.5 MM CABLE	HEL-KB-TT-3*2,5-SYH
62	PG-16 CABLE FITTING	M.ELK-RKR-PLS-004
63	LEFT SIDE SHEET	YSC-ERS.BYM-PN-0346
64	CHASSIS	-
65	DETERGENT ENTRY PLASTIC	M.PLS-ERS-036
66	BACK COVER SHEET	YSC-ERS.BYM-PN-0010
67	VALVE HOSE	ERS.M.MEK-TES-HRT-006
68	HOSE 150CM	ERS.M.MEK-TES-HRT-011
69	PUMP HOSE	ERS.M.MEK-TES-HRT-002
70	WATER INLET HOSE	M.MEK-TES-HRT-001
71	SPRAY DISTRIBUTION HOSE	M.MEK-TES-HRT-003
72	PLATE BASKET	EMP.TB.01
73	SPOON FORK BASKET	EMP.KC.01
74	GLASS BASKET	EMP.BB.01
75	TOP COVER SHEET	YSC-ERS.BYM-LZ-0448
76	DETERGENT PUMP	M.ELK-MTR-PMP-006
77	POLISHING PUMP	M.ELK-MTR-PMP-007

UNDERCOUNTER TYPE DISHWASHER

G SPARE PART LIST-EXPLODING DRAWING



EMP.500-380-F

UNDERCOUNTER TYPE DISHWASHER

G SPARE PART LIST-EXPLODING DRAWING

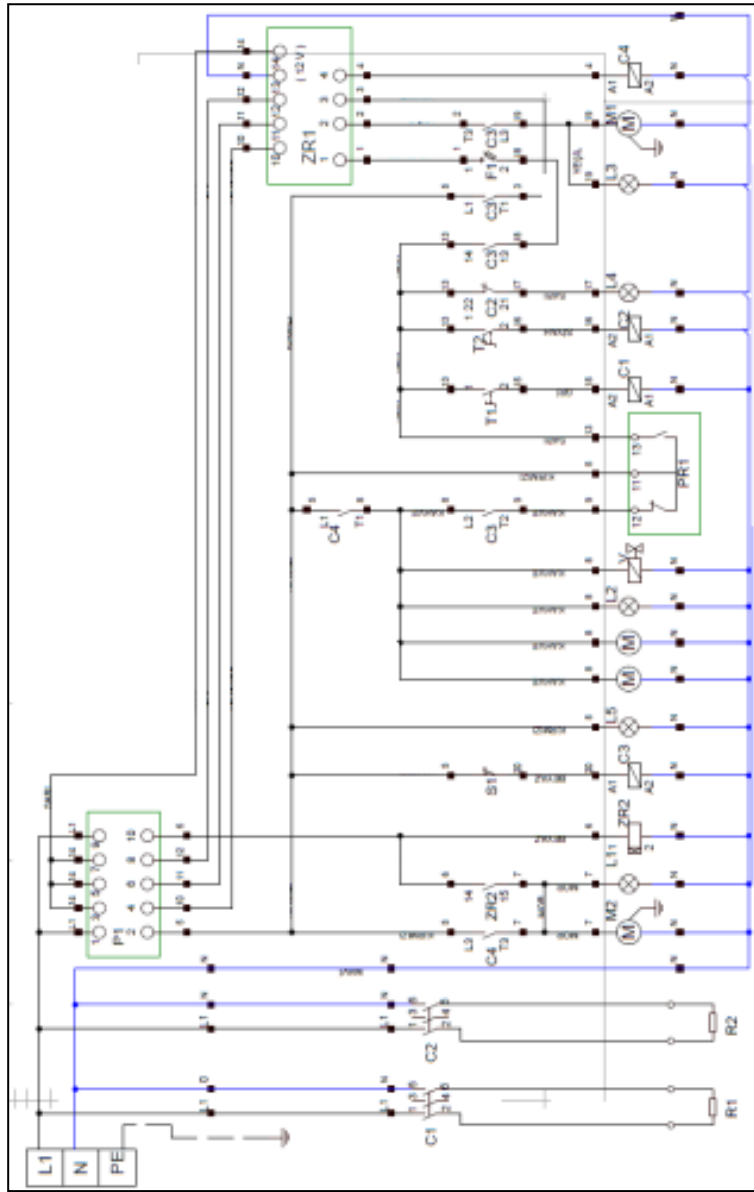
PRODUCT CODE :EMP.500-380-F		
NO	PRODUCT NAME	P. CODE
1	HOSE UPPER ELBOW	M.ENJ-ERS-PLS-BYM-097
2	CENTER BUSH	YTL-ERS.BYM-KS-0014
3	PRESSURE PLASTIC	M.ENJ-ERS-PLS-BYM-059
4	SPINNING SPINDLE	YTL-ERS.BYM-KS-0001
5	SPRAY SCREW	M.ENJ-ERS-PLS-BYM-070
6	FOUNTAIN	M.ENJ-ERS-PLS-BYM-053
7	SPRAY GASKET	M.ENJ-ERS-LST-019
8	LOWER FOUNTAIN CENTER	M.ENJ-ERS-PLS-BYM-020
9	HOSE LOWER ELBOW	M.ENJ-ERS-PLS-BYM-096
10	RIGHT SLIDE SHEET	YSC-ERS.BYM-LZ-0005
11	MAGNET	M.MIK-ERS-001
12	MAGNET LOCATION	M.ENJ-ERS-PLS-BYM-001
13	BOTTOM COVER SHEET	YSC-ERS.BYM-LZ-0452
14	THERMOSTAT 0-90°C	M.ELK-MEK-TRM1-008
15	RESISTANCE COVER	M.ENJ-ERS-PLS-BYM-025
16	BOILER TANK	M.MEK-TES-BYM-BYL-001
17	BOILER RESISTANCE 220V-5000W	M.ELK-RZS-BRU-BYM-030
18	LEFT SLIDE SHEET	YSC-ERS.BYM-LZ-0004
19	COVER	ARA-ERS.BYM-0012
20	COVER OUTER SHEET	YSC-ERS.BYM-PN-0344
21	COVER HANDLE	ERS.M.AKS-KLP-INX-003
22	SLEEVE PART	YTL-ERS.BYM-KS-0119
23	TOP COVER HANDLE	YSC-ERS.BYM-LZ-0455
24	DRAIN WEDGE	M.ENJ-ERS-PLS-BYM-016
25	WEDGE PLASTIC	M.ENJ-ERS-PLS-BYM-017
26	FILTER COVER	M.ENJ-ERS-PLS-BYM-086
27	DISCHARGE WEDGE LOCATION	M.ENJ-ERS-PLS-BYM-112
28	DRAIN PUMP	M.ELK-MTR-PMP-002
29	WASHING MOTOR	M.ELK-MTR-PMP-001
30	FILTER	M.ENJ-ERS-PLS-BYM-041
31	TANK RESISTANCE 230V-2500W	M.ELK-RZS-BRU-BYM-028
32	LOCK KIT SPRING PLACE	YTL-ERS.BYM-KS-0073
33	COVER LOCK SPRING	M.YAY-ERS-035
34	BALL	M.MUH-021
35	LOCK BODY	YTL-ERS.BYM-KS-0072
36	COVER LOCK	ARA-ERS.BYM-0013
37	RIGHT SIDE SHEET	YSC-ERS.BYM-PN-0347

UNDERCOUNTER TYPE DISHWASHER

38	CORNER PLASTIC RIGHT	M.ENJ-ERS-PLS-BYM-061
39	CORNER PLASTIC LEFT	M.ENJ-ERS-PLS-BYM-062
40	WASHING PUMP HOSE	ERS.M.MEK-TES-HRT-014
41	FOOT	M.AKS-AYK-INX-004
42	FILTER LOCATION	M.ENJ-ERS-PLS-BYM-018
43	FILTER NUT	M.ENJ-ERS-PLS-BYM-113
44	PROCESTAT FLOAT	M.ELK-MUH-001
45	ELECTRICAL PANEL GROUP	M.ELK-EDM-DGT-048
46	SWITCH	M.ELK-SLT-PKO-011
47	evacuation time relay	M.ELK-KNT-ROL-026
48	WASH TIME RELAY	M.ELK-KNT-ROL-020
49	LC1K0901M7 CONTACTOR	ERS.M.ELK-KNT-KNT-020
50	CONTACTOR LC1K0910M	ERS.M.ELK-KNT-KNT-021
51	LC1K1210M7 CONTACTOR	ERS.M.ELK-KNT-KNT-022
52	GLASS FUSE 5A	M.ELK-SGR-011
53	HORIZONTAL SENSOR	M.ELK-SWC-KTG-005
54	SWITCH BUTTON	ERS.M.AKS-DGM-MUH-001
55	AIR TRAP	M.ENJ-ERS-PLS-BYM-019
56	VALVE (14 LT)	M.ELK-SLN-PLS-001
57	GREEN WARNING LAMP	ERS.M.ELK-LMB-SNY-001
58	YELLOW WARNING LAMP	ERS.M.ELK-LMB-SNY-003
59	PANEL LABEL	M.AKS-ETK-LKS-ERS-BYM-014
60	WASTE WATER HOSE	M.MEK-TES-HRT-033
61	5*4.00MM CABLE	HEL-KB-TT-5*4-BYZ
62	PG-16 CABLE FITTING	M.ELK-RKR-PLS-004
63	LEFT SIDE SHEET	YSC-ERS.BYM-PN-0346
64	CHASSIS	-
65	DETERGENT ENTRY PLASTIC	M.PLS-ERS-036
66	BACK COVER SHEET	YSC-ERS.BYM-PN-0010
67	VALVE HOSE	ERS.M.MEK-TES-HRT-006
68	HOSE 150CM	ERS.M.MEK-TES-HRT-011
69	PUMP HOSE	ERS.M.MEK-TES-HRT-002
70	WATER INLET HOSE	M.MEK-TES-HRT-001
71	SPRAY DISTRIBUTION HOSE	M.MEK-TES-HRT-003
72	PLATE BASKET	EMP.TB.01
73	SPOON FORK BASKET	EMP.KC.01
74	GLASS BASKET	EMP.BB.01
75	TOP COVER SHEET	YSC-ERS.BYM-LZ-0448
76	DETERGENT PUMP	M.ELK-MTR-PMP-006
77	POLISHING PUMP	M.ELK-MTR-PMP-007

UNDERCOUNTER TYPE DISHWASHER

H ELECTRIC CIRCUIT SCHEMA



UNDERCOUNTER TYPE DISHWASHER

P1	5 PROGRESSIVE COMMUTATOR
S1	MAGNETIC DOOR SENSOR
C1	BOILER CONTACTOR 220V
C2	WASHING CONTACTOR 220V
C3	LID CONTACTOR 220V
C4	RINSING CONTACTOR 220V
L1	EVACUATION LAMP
L2	RINSING LAMP
L3	WASHING LAMP
L4	WATER IS HEATED LAMP
L5	START LAMP
T1	BOILER THERMOSTAT (30-90°C)
T2	WASHING THERMOSTAT (30-90°C)
ZR1	5 CYCLE- CYCLE RELAY (INTER RR-5TG)
ZR2	0-240 SEC. CYCLE RELAY
PR1	PROSSESTAT
M	DETERGENT PUMPS
M1	WASHING MOTOR 0,55 KW 230V
M2	EVACUATION MOTOR 0,44 W 230V
R1	BOILER RESISTANCE 3000W
R2	WASHING RESISTANCE 2500W
F1	LEAKAGE CURRENT SAFETY FUSE
F2	ZR1 FUSE 500MA
V	SOLENOID VALVE 220V
TR1	WASHING MOTOR SAFETY RELAY
TR2	EVACUATION HOSE SAFETY THERMIC