



CAPUCCINO ESPRESSO MACHINES

CONTENTS

A	GENERAL INFORMATION	Page 2
A1	PRODUCT DESCRIPTION	Page 3
A2	TECHNICAL INFORMATION.....	Page 3
A3	TRANSPORTATION	Page 4
A4	UNPACKING	Page 4
B	INSTALLATION	Page 4
C	SAFETY INSTRUCTIONS.....	Page 5
D	OPERATION	Page 6
E	CLEANING & MAINTENANCE.....	Page 7
F	TROUBLESHOOTING	Page 8
G	SPARE PART LIST- EXPLODING DRAWING	Page 9

A GENERAL INFORMATION

Before installing the appliance, read operation and maintenance instructions carefully. Wrong installation and part changing may damage the product or may cause injury on people. These are not in our company's responsibility to damage the appliance intentionally, negligence, detriments because of disobeying instructions and regulations, wrong connections. Unauthorized intervention to appliance invalidates the warranty.

1. This instruction manual should be kept in a safe place for future reference.
2. **Installation should be made in accordance with ordinances and security rules of that country by a qualified service personnel.**
3. This appliance has to be used by trained person.
4. Please turn off the appliance immediately in the event of malfunction or failure. The appliance should be repaired only by authorized service personnel. Please demand original spare part.

CAPUCCINO ESPRESSO MACHINES

A1 PRODUCT DESCRIPTION

*The Professional capuccino espresso machines ,that provides high efficiency has been designed to be used in industrial kitchens.

Code	Dimensions (mm)	Weight (kg)	Packaging Dimensions (mm)
EMP.CPC.1GR	410x590x610	27	450x630x710
EMP.CPC.1GB	410x590x610	27	450x630x710
EMP.CPC.2GR	811x600x628	67	850x700x710
EMP.CPC.2GB	811x600x628	67	850x700x710
EMP.CPC.3GR	1023x600x628	81	980x700x710
EMP.CPC.3GB	1023x600x628	81	980x700x710
EMP.CPC.2GR-D	811x600x628	67	850x700x710
EMP.CPC.2GB-D	811x600x628	67	850x700x710
EMP.CPC.3GR-D	1023x600x628	81	980x700x710
EMP.CPC.3GB-D	1023x600x628	81	980x700x710

A2 TECHNICAL INFORMATION

Code	Capacity (Lt)	Porta filter (pieces)	Power (W)	Operating Voltage (V)	Cable (mm ²)
EMP.CPC.1GR	4.6	1	2.5	230	3x1,5
EMP.CPC.1GB	4.6	1	2.5	230	3x1,5
EMP.CPC.2GR	11	2	4.5	230	3x1,5
EMP.CPC.2GB	11	2	4.5	230	3x1,5
EMP.CPC.3GR	19	3	5	230	3x1,5
EMP.CPC.3GB	19	3	5	230	3x1,5
EMP.CPC.2GR-D	11	2	4.5	380	3x1,5
EMP.CPC.2GB-D	11	2	4.5	380	3x1,5
EMP.CPC.3GR-D	19	3	5	380	3x1,5
EMP.CPC.3GB-D	19	3	5	380	3x1,5

A3 TRANSPORTATION

*This appliance can be moved by hand from area to area. Do not crash and drop the appliance while transporting.

A4 UNPACKING

*Please unpack the package according to the security codes and ordinances of current country and get rid from the pack. Parts which contacts with food are produced by stainless steel. All plastic parts are marked by material's symbol.

*Please check that all the parts of appliance had come completely and if they are damaged or not during the shipping.

B INSTALLATION

*Please place the product to straight and sturdy ground, please take necessary steps against possibility of overturn.

*Technician who will serve for installation and service for the appliance must be professional on this subject and must have installation and service licenses by the company.

*Connection to Electric Power Supply must be done by authorized person.

*Please be sure that the voltage connected to appliance must be equal with the voltage which is on appliance's label.












This appliance must be connected to an earthed outlet in accordance with safety rules and standards.

*Appliance's earthing must be connected to earthing line on panel which is nearest to electric installation.

*Connection to the main fuse and leak current fuse must be done in accordance with the current regulations.

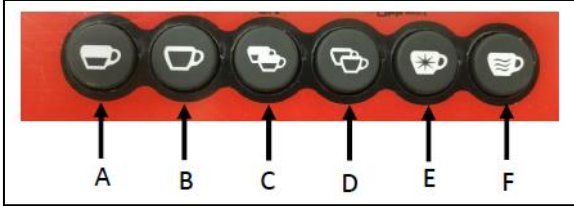
CAPUCCINO ESPRESSO MACHINES

C SAFETY INSTRUCTIONS

-  *Do not use the appliance in insufficient lighted place.
-  *Do not touch the moving attachments while the appliance operates.
-  *Do not install the appliance in the presence of flammable or explosive materials.
-  *Do not operate the appliance when the machine is empty.
-  *Do not load so less or more than appliance's capacity.
-  *Do not attempt to use the appliance without suitable protective equipments.
-  *Because of any reason if there is a fire or flame flare where the appliance is used, turn off all gas valves and electric contactor switch quickly and use fire extinguisher. Never use water to extinguish the fire.
-  *All the damages because of not having earthing connection will not be on warranty.
-  *Get the necessary cautions against electric danger.

D OPERATION

* Control Panel:



- A : 1 short espresso
- B : 1 long espresso
- C : 2 short espresso
- D : 2 long espresso
- E : Programing menü
- F: Hot water button

MACHINE ON / OFF WHEN C + E IS PRINTED AT THE SAME TIME
 AUTOMATIC CLEANING WHEN A + E IS PRINTED AT THE SAME TIME
 A AND B KEYS ARE USED BACK IN THE MENU.

* Operating:

- Plug in the appliance.
- Open the external supply of water to the machine.
- Turn on the main power switch.
- In machines without control panel, the boiler of the machine has to be filled manually by pressing the water knob located at the front of the machine under the drip tray. The water level must be maintained between the max. and minimum marks.
- Press the brew switch or one selection on the control panel on each group, until water comes out continuously from each of them. This way the heat exchangers of the machine will be correctly filled.
- Turn on the steam knob. The red pilot, shows us the machine is heating-up. Once it turns off, it means the machine has reached the ideal temperature.
- Unlock and remove the porta-filter from the group head.
- Fill the basket filter of the porta-filter with the right amount of coffee. For best results use freshly grinded coffee.
- Press down the coffee with the coffee tamper.
- Insert the filled porta-filter into the group head and lock it in; be sure that it is correctly locked in place. Place one/two cup beneath the spout.
- Selected the desired option from the switchboard, if yours is an electronic machine or turn on the brew switch.
- Unplug in the appliance.

CAPUCCINO ESPRESSO MACHINES

E CLEANING & MAINTENANCE

➤ **CLEANING AND MAINTENANCE AFTER EVERY USE;**

- Always turn off the appliance and disconnect from the power supply before cleaning.
- Clean the coffee filter of appliance after every use.
- Do not use abrasive cleaning chemicals as these can leave harmful residues.
- Do not clean the appliance by spraying water directly, otherwise electric motor may get damaged.

➤ **PERIODIC CLEANING AND MAINTENANCE;**

- Maintenance should be done by qualified person.
- Get the periodic maintenance of the appliance once in every 30 days.
- Place on the filter basket the blind membrane filter, without detergent.
- Check that if the power cable has error or not. If there is error at the cable, definitely do not use the appliance. Provide the cable to be changed by authorized technic service.



CAPUCCINO ESPRESSO MACHINES

F TROUBLESHOOTING

THE APPLIANCE DOESN'T OPERATE	<ol style="list-style-type: none">1. Check if the appliance is plugged in.2. Check the electrical connections and voltage.3. The tube fuse of power supply breakdown.
THE APPLIANCE IS NOISY	<ol style="list-style-type: none">1. Check the filter.2. Check the water inlet.
THE APPLIANCE STOPPED	<ol style="list-style-type: none">1. The appliance can stop due to low voltage. In this situation check the voltage.2. If there is any leakage current at electric connections, the appliance stops. In this situation call the authorized service.

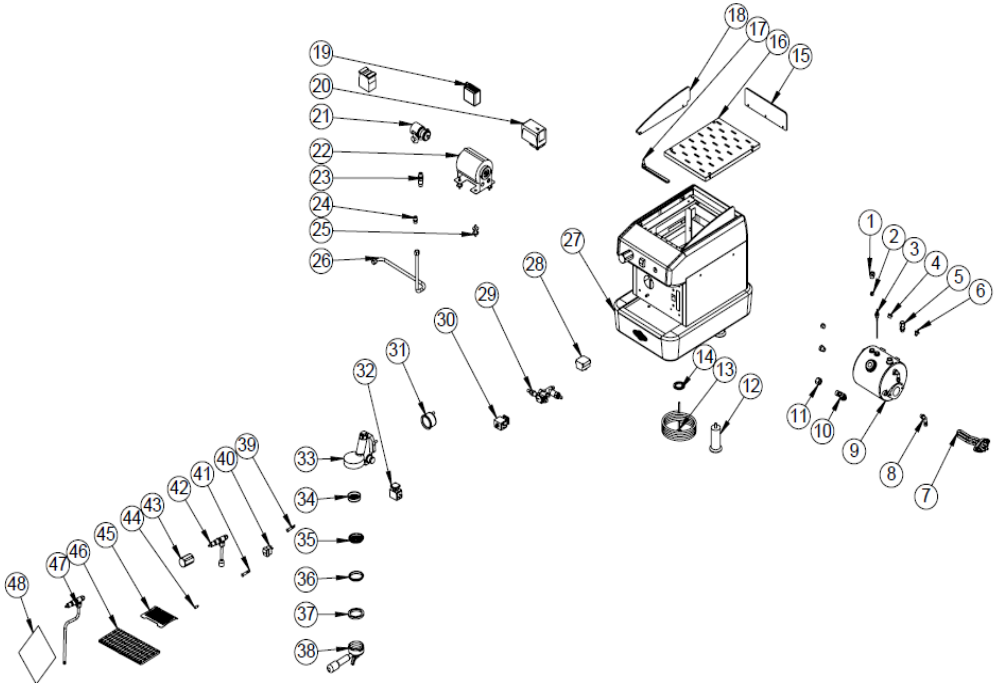
- If capuccino espresso is not done at suitable quality,
- If any function of security doesn't work,
 - Do not use the appliance.

***If these problems are still going on, contact with our authorized services.**



CAPUCCINO ESPRESSO MACHINES

G SPARE PART LIST-EXPLODING DRAWING



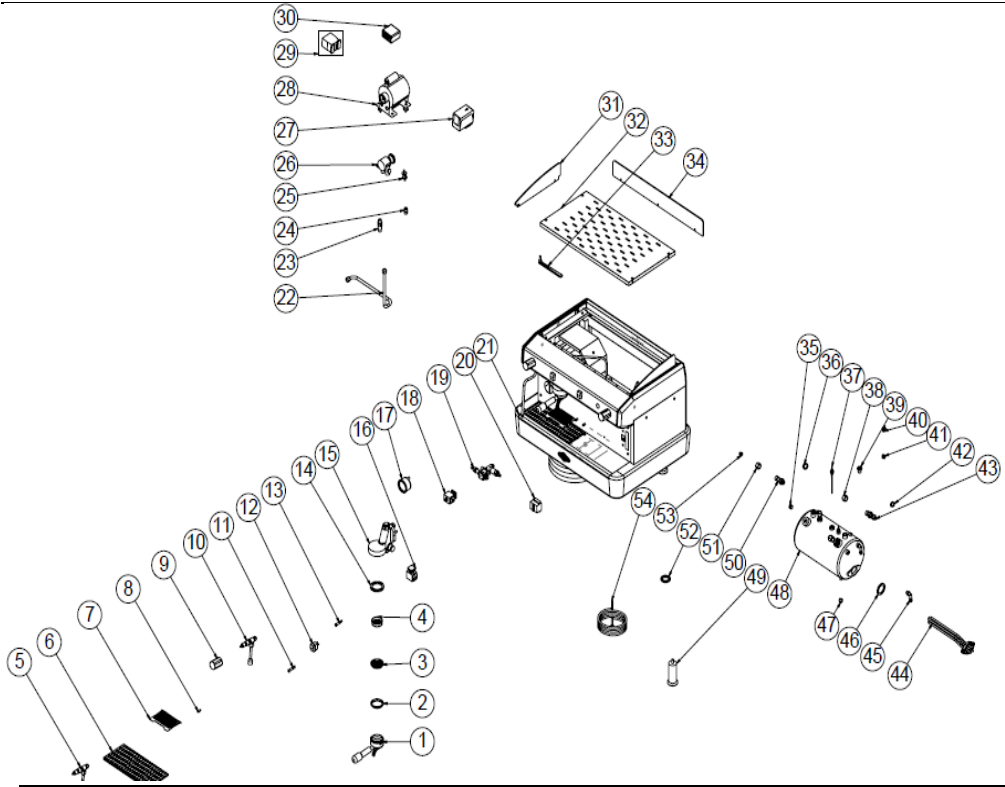
PRODUCT CODE: EMP.CPC.1GB-1GR		
NO	PRODUCT NAME	P.CODE
1	FITTING	YTL-ERS.CPC-KS-0019
2	Ø8 RING	YTL-ERS.CPC-KS-0021
3	LEVEL PROBE	M.ELK-EDM-DGT-020
4	PLUG	YTL-ERS.CPC-KS-0023
5	102802-SAFETY VALVE 3/8 2 BAR CERTIFIED CE	M.MEK-TES-SRI-036
6	03A004N-VALVOLA ANTIDEPRESSIONE G1/4 E19 ANTI-VACUM VALVE	M.MEK-TES-SBP-001
7	2000W-220V RESISTANCE	M.ELK-RZS-OZL-015
8	1/8" BRACKET	M.MEK-TES-SRI-035
9	103007-BOILER 1 GROUP 5,5L.D. 205	M.MEK-TES-BYL-003
10	102318-FITTING FOR BOILER PIPE-1/2M-1/2M	M.MEK-TES-SRI-037
11	FITTING	YTL-ERS.CPC-KS-0018
12	FOOT	ERS.M.AKS-AYK-NKL-

CAPUCCINO ESPRESSO MACHINES

13	3*2.5 MM CABLE	M.ELK-PWR-PBK-005
14	evacuation rubber	M.ENJ-ERS-LST-040
15	MİKA	M.AKS-GNL-MK-006
16	TOP COVER SHEET	YSC-ERS.CPC-LZ-0173
17	130517 SHOWER CLEANING NYLON BRUSH BLACK	M.AKS-GNL-PLS-001
18	MİKA (34,5*8,5)	M.AKS-GNL-MK-004
19	102106-GICAR WATER REGOLATER	M.ELK-EDM-DGT-021
20	101800-PRESSOSTATO SIRAI P302/6	M.ELK-MEK-TRM-001
21	101700- CLAMP RING PUMP	M.MEK-TES-SRI-038
22	ENGINE (ENGINE)	M.ELK-MTR-PMP-015
23	F461E-VALVOLA NON RIT. G3/8 X G3/8 CONICO NO RETURN VALVE	M.MEK-TES-SRI-022
24	101724-CW510L LARGE FILTER FOR PUMP-IN 3/8M OUT 3/8M	M.MEK-TES-SRI-031
25	ENGINE FOOT MOUNTING	M.ENJ-ERS-PLS-CPC-004
26	5/16 HOSE	HTS-HRT-TFL-002
27	CHASSIS	-
28	LİMİTÖR 140 °C	M.ELK-MEK-LMT-001
29	07V01GZ-MASS.LIGHT USC.1/4 AUT+MAN REG M-C MULTIFUNCTIONAL	M.MEK-TES-SRI-032
30	100633 ELETTROVALVOLA PARKER 2 VIE A BASETTA 220/230V 50/60HZ 9W	M.ELK-SLN-PLS-007
31	101103-BOILER PUMP MANOMETER WEGA	M.MEK-TES-SAT-001
32	3 WAYS SELENOID VALVE	M.ELK-SLN-PLS-006
33	00A013CR-GRUPPO AUT. 00010 C/FILDOC E 351Q31 COFFEE GROUP	M.AKS-GNL-008
34	TOP FILTER	Y.JP.CPC.2G-KR.104
35	UNDER FILTER	Y.JP.CPC.2G-KR.109
36	130523 BLIND FILTER UNIVERSAL	M.AKS-GNL-FLT-001
37	35.10.30 GUARNIZ SOTTOCOPPA H8 NBR85SH FDA	M.CNT-ERS-035
38	09Q02L-PORTAFILTRO COME. FILTERHOLDER ONE WAY SPOUT	M.AKS-GNL-009
39	RED WARNING LAMP	M.ELK-LMB-SNY-002
40	16 A 0-1 KEY	M.ELK-SLT-ANL-005
41	YELLOW WARNING LAMP	M.ELK-LMB-SNY-008
42	08A024GZ-RUBINETTO ACQUA TIPO F S/MAN-COP.WATER TAP	M.MEK-TES-SRI-023
43	MANA-01KITVAP- KIT MANA01 COP RON	M.PLS-ERS-032
44	CUP HOLDER SCREW	YTL-ERS.CPC-KS-0017
45	CUP SHEET	YSC-ERS.CPC-LZ-0033
46	PRE FILTER SHEET	YSC-ERS.CPC-LZ-0171
47	08A066GZ-RUBINETTO VAP T/F C/LAV231 İNOX GZ. STEAM TAP	M.MEK-TES-SRI-034
48	CABLE BACKET	M.ELK-PWR-PBK-010

CAPUCCINO ESPRESSO MACHINES

G SPARE PART LIST-EXPLODING DRAWING



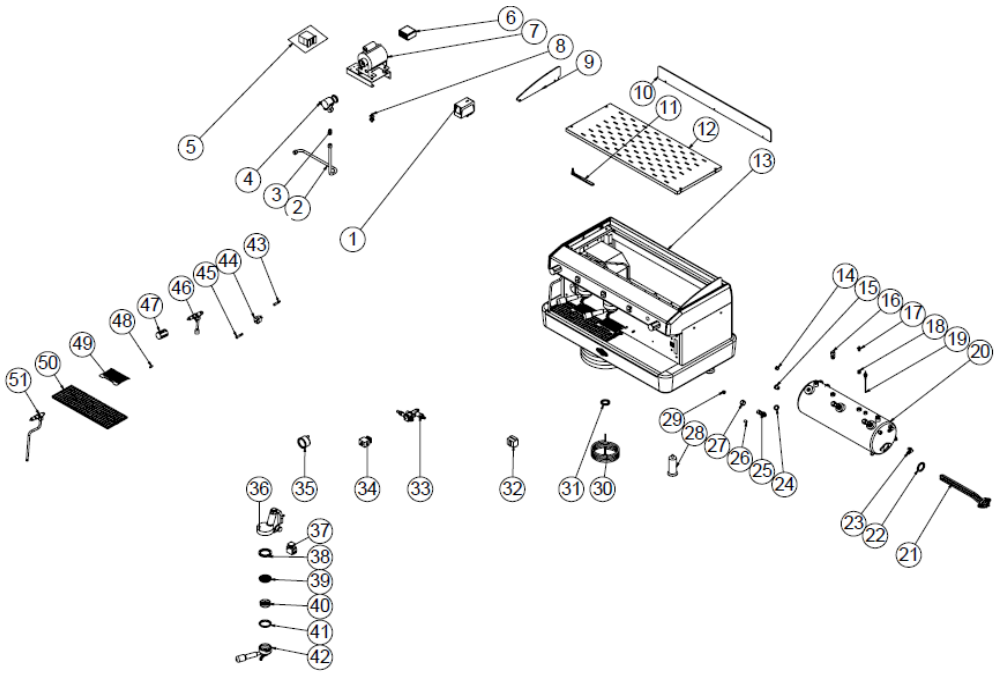
PRODUCT CODE: EMP.CPC.2GB-2GR		
NO	PRODUCT NAME	P.CODE
1	09Q02L-PORTAFILTRO COME. FILTERHOLDER ONE WAY SPOUT	M.AKS-GNL-009
2	130523 BLIND FILTER UNIVERSAL	M.AKS-GNL-FLT-001
3	UNDER FILTER	Y.JP.CPC.2G-KR.109
4	TOP FILTER	Y.JP.CPC.2G-KR.104
5	08A066GZ-RUBINETTO VAP T/F C/LAV231	M.MEK-TES-SRI-034
6	PRE FILTER SHEET	YSC-ERS.CPC-LZ-0028
7	CUP SHEET	YSC-ERS.CPC-LZ-0033
8	CUP HOLDER SCREW	YTL-ERS.CPC-KS-0017
9	MANA-01KITVAP- KIT MANA01 COP RON	M.PLS-ERS-032
10	08A024GZ-RUBINETTO ACQUA TIPO F	M.MEK-TES-SRI-023
11	YELLOW WARNING LAMP	M.ELK-LMB-SNY-008
12	16 A 0-1 KEY	M.ELK-SLT-ANL-005

CAPUCCINO ESPRESSO MACHINES

13	RED WARNING LAMP	M.ELK-LMB-SNY-002
14	35.10.30 GUARNIZ SOTTOCOPPA H8 NBR85SH FDA	M.CNT-ERS-035
15	00A013CR-GRUPPO AUT. 00010	M.AKS-GNL-008
16	3 WAYS SELENOID VALVE	M.ELK-SLN-PLS-006
17	101103-BOILER PUMP MANOMETER	M.MEK-TES-SAT-001
18	100633 ELETTROVALVOLA PARKER 2	M.ELK-SLN-PLS-007
19	07V01GZ-MASS.LIGHT USC.1/4 AUT+MAN REG M-C MULTIFUNCTIONAL	M.MEK-TES-SRI-032
20	LIMITÖR 140 °C	M.ELK-MEK-LMT-001
21	CHASSIS	-
22	5/16 HOSE	HTS-HRT-TFL-002
23	F461E-VALVOLA NON RIT. G3/8 X G3/8 CONICO NO RETURN VALVE	M.MEK-TES-SRI-022
24	101724-CW510L LARGE FILTER FOR PUMP-IN 3/8M OUT 3/8M	M.MEK-TES-SRI-031
25	ENGINE FOOT MOUNTING	M.ENJ-ERS-PLS-CPC-004
26	101700- CLAMP RING PUMP	M.MEK-TES-SRI-038
27	101800-PRESSOSTATO SIRAI P302/6	M.ELK-MEK-TRM-001
28	ENGINE (ENGINE)	M.ELK-MTR-PMP-015
29	CABLE BACKET	M.ELK-PWR-PBK-010
30	102106-GICAR WATER REGOLATER	M.ELK-EDM-DGT-021
31	MIKA (34,5*8,5)	M.AKS-GNL-MK-004
32	TOP COVER SHEET	YSC-ERS.CPC-LZ-0004
33	130517 SHOWER CLEANING NYLON BRUSH BLACK	M.AKS-GNL-PLS-001
34	MIKA (69*8,9)	M.AKS-GNL-MK-003
35	PLUG	YTL-ERS.CPC-KS-0023
36	Ø30 GASKET	YTL-ERS.CPC-KS-0030
37	LEVEL PROBE	M.ELK-EDM-DGT-020
38	FITTING	YTL-ERS.CPC-KS-0018
39	FITTING	YTL-ERS.CPC-KS-0019
40	03A004N-VALVOLA ANTIDEPRESSIONE G1/4 E19 ANTI-VACUM VALVE	M.MEK-TES-SBP-001
41	REDUCTION	YTL-ERS.CPC-KS-0024
42	Ø25 GASKET	YTL-ERS.CPC-KS-0031
43	102318-FITTING FOR BOILER PIPE-1/2M-	M.MEK-TES-SRI-037
44	RESISTANCE 4000W	M.ELK-RZS-OZL-012
45	1/8" BRACKET	M.MEK-TES-SRI-035
46	RESISTANCE GASKET	YTL-ERS.CPC-KS-0032
47	THIMBLE	M.MEK-TES-SRI-040
48	103009-BOILER 2 GROUP 11L.DIA	M.MEK-TES-BYL-002
49	FOOT	ERS.M.AKS-AYK-NKL-001
50	102318-FITTING FOR BOILER PIPE-1/2M-	M.MEK-TES-SRI-037
51	FITTING	YTL-ERS.CPC-KS-0018
52	evacuation rubber	M.ENJ-ERS-LST-040
53	Ø12 RING	YTL-ERS.CPC-KS-0020
54	3*2.5 MM CABLE	M.ELK-PWR-PBK-005

CAPUCCINO ESPRESSO MACHINES

G SPARE PART LIST-EXPLODING DRAWING



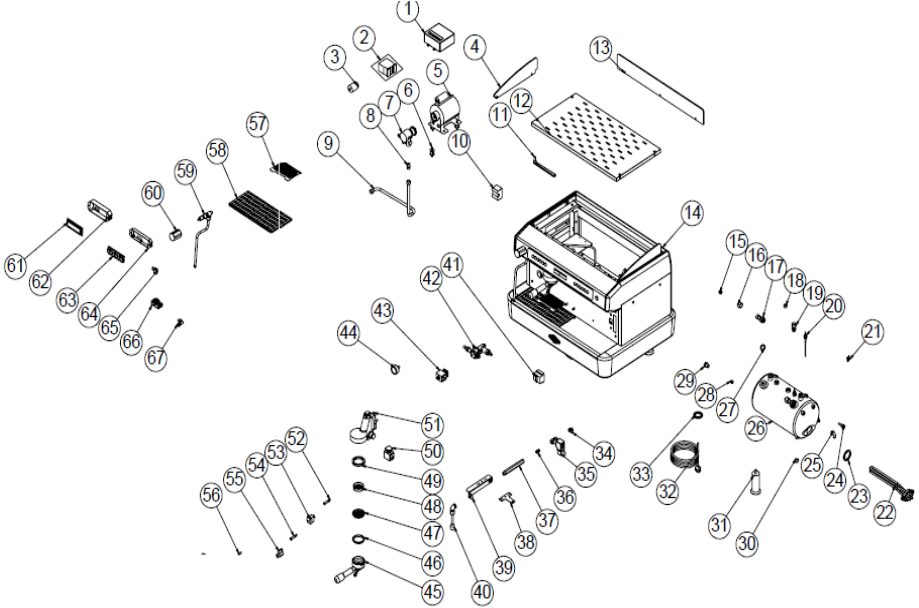
PRODUCT CODE: EMP.CPC.3GB-3GR		
NO	PRODUCT NAME	P.CODE
1	101800-PRESSOSTATO SIRAI P302/6	M.ELK-MEK-TRM-001
2	5/16 HOSE	HTS-HRT-TFL-002
3	101724-CW510L LARGE FILTER FOR PUMP-IN 3/8M OUT 3/8M	M.MEK-TES-SRI-031
4	101700- CLAMP RING PUMP	M.MEK-TES-SRI-038
5	CABLE BACKET	M.ELK-PWR-PBK-012
6	102106-GICAR WATER REGOLATER	M.ELK-EDM-DGT-021
7	ENGINE (ENGINE)	M.ELK-MTR-PMP-015
8	ENGINE FOOT MOUNTING	M.ENJ-ERS-PLS-CPC-004
9	MiKA (34,5*8,5)	M.AKS-GNL-MK-004
10	MiKA (91,2*9,3)	M.AKS-GNL-MK-005
11	130517 SHOWER CLEANING NYLON BRUSH BLACK	M.AKS-GNL-PLS-001
12	TOP COVER SHEET	YSC-ERS.CPC-LZ-0119

CAPUCCINO ESPRESSO MACHINES

13	CHASSIS	-
14	PLUG	YTL-ERS.CPC-KS-0023
15	FITTING	YTL-ERS.CPC-KS-0019
16	102802-SAFETY VALVE 3/8 2 BAR CERTIFIED CE	M.MEK-TES-SRI-036
17	03A004N-VALVOLA ANTIDEPRESSIONE G1/4 E19 ANTI-VACUM VALVE	M.MEK-TES-SBP-001
18	REDUCTION	YTL-ERS.CPC-KS-0024
19	LEVEL PROBE	M.ELK-EDM-DGT-020
20	103010-BOILER 3 GROUP 19LT D.205	M.MEK-TES-BYL-001
21	RESISTANCE 4500W	M.ELK-RZS-OZL-013
22	RESISTANCE GASKET	YTL-ERS.CPC-KS-0032
23	1/8" BRACKET	M.MEK-TES-SRI-035
24	Ø30 GASKET	YTL-ERS.CPC-KS-0030
25	102318-FITTING FOR BOILER PIPE-1/2M-1/2M	M.MEK-TES-SRI-037
26	PLUG	YTL-ERS.CPC-KS-0022
27	FITTING	YTL-ERS.CPC-KS-0018
28	FOOT	ERS.M.AKS-AYK-NKL-001
29	Ø12 RING	YTL-ERS.CPC-KS-0020
30	3*2.5 MM CABLE	M.ELK-PWR-PBK-005
31	evacuation rubber	M.ENJ-ERS-LST-040
32	LIMITÖR 140 °C	M.ELK-MEK-LMT-001
33	07V01GZ-MASS.LIGHT USC.1/4 AUT+MAN REG M-C MULTIFUNCTIONAL	M.MEK-TES-SRI-032
34	100633 ELETTRIVALVOLA PARKER 2 VIE A BASETTA 220/230V 50/60HZ 9W	M.ELK-SLN-PLS-007
35	101103-BOILER PUMP MANOMETER WEGA	M.MEK-TES-SAT-001
36	00A013CR-GRUPPO AUT. 00010 C/FILDOC E 351Q31 COFFEE GROUP	M.AKS-GNL-008
37	3 WAYS SELENOID VALVE	M.ELK-SLN-PLS-006
38	35.10.30 GUARNIZ SOTTOCOPPA H8 NBR85SH FDA	M.CNT-ERS-035
39	UNDER FILTER	Y.JP.CPC.2G-KR.109
40	TOP FILTER	Y.JP.CPC.2G-KR.104
41	130523 BLIND FILTER UNIVERSAL	M.AKS-GNL-FLT-001
42	09Q02L-PORTAFILTRO COME. FILTERHOLDER ONE WAY SPOUT	M.AKS-GNL-009
43	RED WARNING LAMP	M.ELK-LMB-SNY-002
44	16 A 0-1 KEY	M.ELK-SLT-ANL-005
45	YELLOW WARNING LAMP	M.ELK-LMB-SNY-008
46	08A024GZ-RUBINETTO ACQUA TIPO F S/MAN-COP.WATER TAP	M.MEK-TES-SRI-023
47	MANA-01KITVAP- KIT MANA01 COP RON	M.PLS-ERS-032
48	CUP HOLDER SCREW	YTL-ERS.CPC-KS-0017
49	CUP SHEET	YSC-ERS.CPC-LZ-0033
50	PRE FILTER SHEET	YSC-ERS.CPC-LZ-0118
51	08A066GZ-RUBINETTO VAP T/F C/LAV231 INOX GZ. STEAM TAP	M.MEK-TES-SRI-034

CAPUCCINO ESPRESSO MACHINES

G SPARE PART LIST-EXPLODING DRAWING



ÜRÜN KODU: EMP.CPC.2GB-D/2 GR-D

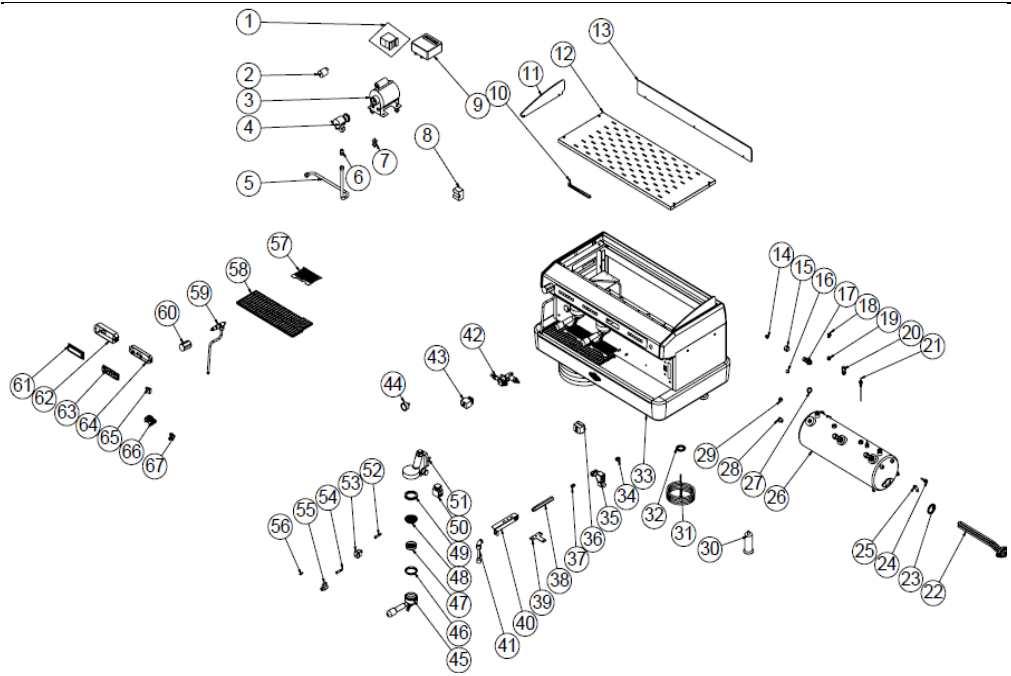
NO	ÜRÜN ADI	Ü.KODU
1	101963 ELECTRONIC CARD COD. 9.5.32.85G08	M.ELK-EDM-DGT-027
2	CABLE BASKET	M.ELK-PWR-PBK-011
3	TUBE DIODE	M.ELK-EDM-DGT-032
4	MİKA (34,5*8,5)	M.AKS-GNL-MK-004
5	ENGINE (ENGINE)	M.ELK-MTR-PMP-015
6	ENGINE FOOT MOUNTING	M.ENJ-ERS-PLS-CPC-004
7	101700- CLAMP RING PUMP	M.MEK-TES-SRI-038
8	101724-CW510L LARGE FILTER FOR PUMP-IN 3/8M OUT 3/8M	M.MEK-TES-SRI-031
9	5/16 HOSE	HTS-HRT-TFL-002
10	102517 SSR ROLE COD.SSR08-25480AS	M.ELK-EDM-DGT-030
11	130517 SHOWER CLEANING NYLON BRUSH BLACK	M.AKS-GNL-PLS-001
12	TOP COVER SHEET	YSC-ERS.CPC-LZ-0004
13	MİKA (69*8,9)	M.AKS-GNL-MK-003
14	CHASSIS	-
15	Ø12 RING	YTL-ERS.CPC-KS-0020
16	FITTING	YTL-ERS.CPC-KS-0018
17	102318-FITTING FOR BOILER PIPE-1/2M-1/2M	M.MEK-TES-SRI-037
18	PLUG	YTL-ERS.CPC-KS-0023
19	102802-SAFETY VALVE 3/8 2 BAR CERTIFIED CE	M.MEK-TES-SRI-036
20	LEVEL PROBE	M.ELK-EDM-DGT-020

CAPUCCINO ESPRESSO MACHINES

21	03A004N-VALVOLA ANTIDEPRESSIONE G1/4 E19 ANTI-VACUM VALVE	M.MEK-TE5-SBP-001
22	RESISTANCE 4000W	M.ELK-RZ5-OZL-012
23	RESISTANCE GASKET	YTL-ERS.CPC-KS-0032
24	102514 PRESSURE SENSOR	M.ELK-EDM-DGT-031
25	ROTARY ELBOW	M.MEK-TE5-HRT-069
26	103009-BOILER 2 GROUP 11L.DIA 205	M.MEK-TE5-BYL-002
27	Ø30 GASKET	YTL-ERS.CPC-KS-0030
28	Ø8 RING	YTL-ERS.CPC-KS-0021
29	FITTING	YTL-ERS.CPC-KS-0019
30	THIMBLE	M.MEK-TE5-SRI-040
31	FOOT	ERS.M.AKS-AYK-NKL-001
32	5*2.5 CABLE	M.ELK-PWR-PBK-013
33	evacuation rubber	M.ENJ-ERS-LST-040
34	ROTARY ELBOW	M.MEK-TE5-HRT-069
35	1/4 SELENOID VANA	M.ELK-SLN-VLF-001
36	VALVE CONNECTION	YTL-ERS.CPC-KS-0028
37	INTERMEDIATE ELEMENT	YTL-ERS.CPC-KS-0034
38	CONNECTION ADDITIONAL SHEET	YSC-ERS.CPC-LZ-0079
39	CONEXION SHEET	YSC-ERS.CPC-LZ-0078
40	tap	M.AKS-GNL-FLT-002
41	LIMITÖR 140 °C	M.ELK-MEK-LMT-001
42	07V01GZ-MASS.LIGHT USC.1/4 AUT+MAN REG M-C MULTIFUNCTIONAL	M.MEK-TE5-SRI-032
43	100633 ELETTROVALVOLA PARKER 2 VIE A Basetta 220/230V 50/60HZ 9W	M.ELK-SLN-PLS-007
44	PRESSURE CLOCK	M.MEK-TE5-SAT-002
45	09Q02L-PORTAFILTRO COME. FILTERHOLDER ONE WAY SPOUT	M.AKS-GNL-009
46	130523 BLIND FILTER UNIVERSAL	M.AKS-GNL-FLT-001
47	UNDER FILTER	Y.JP.CPC.2G-KR.109
48	TOP FILTER	Y.JP.CPC.2G-KR.104
49	35.10.30 GUARNIZ SOTTOCOPPA H8 NBR85SH FDA	M.CNT-ERS-035
50	3 WAYS SELENOID VALVE	M.ELK-SLN-PLS-006
51	00A013CR-GRUPPO AUT. 00010 C/FILDOC E 351Q31 COFFEE GROUP	M.AKS-GNL-008
52	YELLOW WARNING LAMP	M.ELK-LMB-SNY-008
53	16 A 0-1 KEY	M.ELK-SLT-ANL-005
54	RED WARNING LAMP	M.ELK-LMB-SNY-002
55	BALL VALVE 3/8M 3/8F	M.MEK-TE5-MSL-005
56	CUP HOLDER SCREW	YTL-ERS.CPC-KS-0017
57	CUP SHEET	YSC-ERS.CPC-LZ-0033
58	PRE FILTER SHEET	YSC-ERS.CPC-LZ-0028
59	08A066GZ-RUBINETTO VAP T/F C/LAV231 INOX GZ. STEAM TAP	M.MEK-TE5-SRI-034
60	MANA-01KITVAP- KIT MANA01 COP RON	M.PLS-ERS-032
61	101962DIGITAL DISPLAY COD. 9.5.13.73G	M.ELK-EDM-DGT-026
62	DIGITAL SCREEN PLASTIC	M.ENJ-ERS-PLS-CPC-006
63	KEYBOARD	M.ELK-EDM-DGT-025
64	KEYPAD PLASTIC	M.ENJ-ERS-PLS-CPC-005
65	FLOWMETER SOCKET	M.ELK-EDM-DGT-028
66	FLOWMETER	M.ELK-EDM-DGT-029
67	1/8" BRACKET	M.MEK-TE5-SRI-035

CAPUCCINO ESPRESSO MACHINES

G SPARE PART LIST-EXPLODING DRAWING



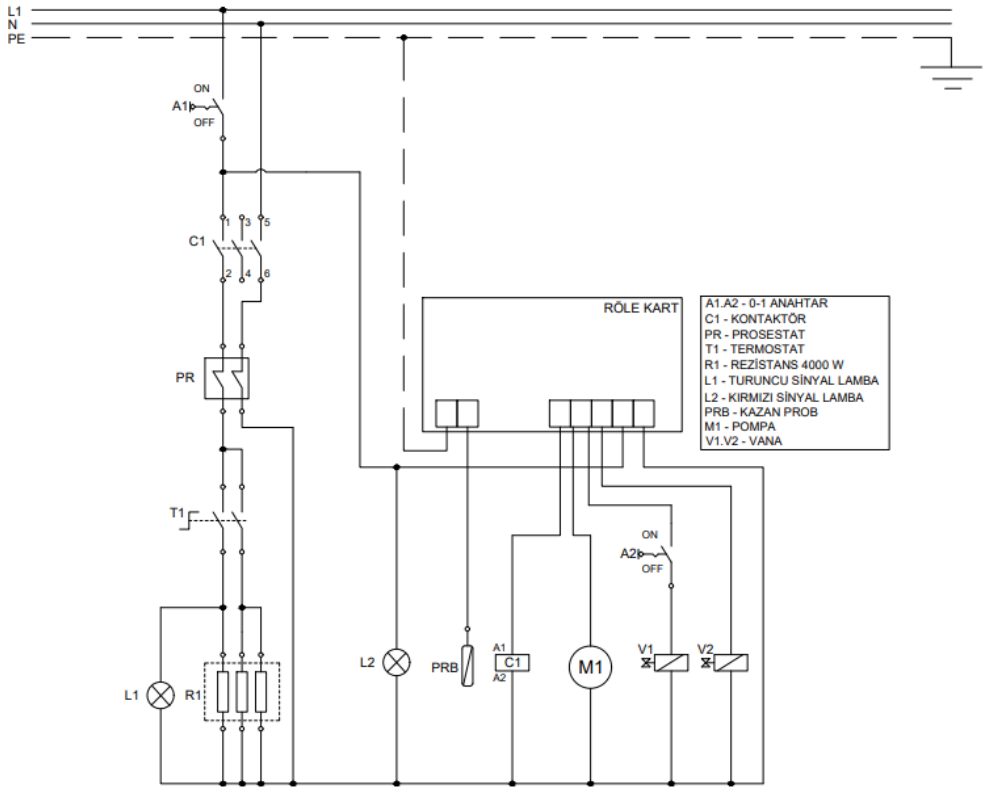
ÜRÜN KODU: EMP.CPC.3GB-D/3GR-D		
NO	ÜRÜN ADI	Ü.KODU
1	CABLE BASKET	M.ELK-PWR-PBK-014
2	TUBE DIODE	M.ELK-EDM-DGT-032
3	ENGINE (ENGINE)	M.ELK-MTR-PMP-015
4	101700- CLAMP RING PUMP	M.MEK- TES-SRI-038
5	5/16 HOSE	HTS-HRT-TFL-002
6	101724-CW510L LARGE FILTER FOR PUMP-IN 3/8M OUT 3/8M	M.MEK- TES-SRI-031
7	ENGINE FOOT MOUNTING	M.ENJ-ERS-PLS-CPC-004
8	102517 SSR ROLE COD.SSR08-25480AS	M.ELK-EDM-DGT-030
9	101963 ELECTRONIC CARD COD. 9.5.32.85G08	M.ELK-EDM-DGT-027
10	130517 SHOWER CLEANING NYLON BRUSH BLACK	M.AKS-GNL-PLS-001
11	MİKA (34,5*8,5)	M.AKS-GNL-MK-004
12	TOP COVER SHEET	YSC-ERS.CPC-LZ-0119
13	MİKA (91,2*9,3)	M.AKS-GNL-MK-005
14	Ø12 RING	YTL-ERS.CPC-KS-0020
15	FITTING	YTL-ERS.CPC-KS-0018
16	PLUG	YTL-ERS.CPC-KS-0022
17	102318-FITTING FOR BOILER PIPE-1/2M-1/2M	M.MEK- TES-SRI-037
18	03A004N-VALVOLA ANTIDEPRESSIONE G1/4 E19 ANTI-VACUM VALVE	M.MEK- TES-SBP-001
19	REDUCTION	YTL-ERS.CPC-KS-0024

CAPUCCINO ESPRESSO MACHINES

20	102802-SAFETY VALVE 3/8 2 BAR CERTIFIED CE	M.MEK-TE-SRI-036
21	LEVEL PROBE	M.ELK-EDM-DGT-020
22	RESISTANCE 4500W	M.ELK-RZS-OZL-013
23	RESISTANCE GASKET	YTL-ERS.CPC-KS-0032
24	102514 PRESSURE SENSOR	M.ELK-EDM-DGT-031
25	ROTARY ELBOW	M.MEK-TE-SRI-069
26	103010-BOILER 3 GROUP 19LT D.205	M.MEK-TE-SRI-001
27	Ø30 GASKET	YTL-ERS.CPC-KS-0030
28	FITTING	YTL-ERS.CPC-KS-0019
29	PLUG	YTL-ERS.CPC-KS-0023
30	FOOT	M.AKS-AYK-NKL-001
31	3*2.5 MM CABLE	M.ELK-PWR-PBK-005
32	evacuation rubber	M.ENJ-ERS-LST-040
33	CHASSIS	-
34	ROTARY ELBOW	M.MEK-TE-SRI-069
35	1/4 SELENOID VANA	M.ELK-SLN-VLF-001
36	LIMITÖR 140 °C	M.ELK-MEK-LMT-001
37	VALVE CONNECTION	YTL-ERS.CPC-KS-0028
38	INTERMEDIATE ELEMENT	YTL-ERS.CPC-KS-0034
39	CONNECTION ADDITIONAL SHEET	YSC-ERS.CPC-LZ-0079
40	CONEXION SHEET	YSC-ERS.CPC-LZ-0078
41	tap	M.AKS-GNL-FLT-002
42	07V01GZ-MASS.LIGHT USC.1/4 AUT+MAN REG M-C MULTIFUNCTIONAL	M.MEK-TE-SRI-032
43	100633 ELETTROVALVOLA PARKER 2 VIE A Basetta 220/230V 50/60HZ 9W	M.ELK-SLN-PLS-007
44	PRESSURE CLOCK	M.MEK-TE-SAT-002
45	09Q02L-PORTAFILTRO COME. FILTERHOLDER ONE WAY SPOUT	M.AKS-GNL-009
46	130523 BLIND FILTER UNIVERSAL	M.AKS-GNL-FLT-001
47	TOP FILTER	Y.JP.CPC.2G-KR.104
48	UNDER FILTER	Y.JP.CPC.2G-KR.109
49	35.10.30 GUARNIZ SOTTOCOPPA H8 NBR85SH FDA	M.CNT-ERS-035
50	3 WAYS SELENOID VALVE	M.ELK-SLN-PLS-006
51	00A013CR-GRUPPO AUT. 00010 C/FILDOC E 351Q31 COFFEE GROUP	M.AKS-GNL-008
52	YELLOW WARNING LAMP	M.ELK-LMB-SNY-008
53	16 A 0-1 KEY	M.ELK-SLT-ANL-005
54	RED WARNING LAMP	M.ELK-LMB-SNY-002
55	BALL VALVE 3/8M 3/8F	M.MEK-TE-MSL-005
56	CUP HOLDER SCREW	YTL-ERS.CPC-KS-0017
57	CUP SHEET	YSC-ERS.CPC-LZ-0033
58	PRE FILTER SHEET	YSC-ERS.CPC-LZ-0118
59	08A066GZ-RUBINETTO VAP T/F C/LAV231 INOX GZ. STEAM TAP	M.MEK-TE-SRI-034
60	MANA-01KITVAP- KIT MANA01 COP RON	M.PLS-ERS-032
61	101962DIGITAL DISPLAY COD. 9.5.13.73G	M.ELK-EDM-DGT-026
62	DIGITAL SCREEN PLASTIC	M.ENJ-ERS-PLS-CPC-006
63	KEYBOARD	M.ELK-EDM-DGT-025
64	KEYPAD PLASTIC	M.ENJ-ERS-PLS-CPC-005
65	FLOWMETER SOCKET	M.ELK-EDM-DGT-028
66	FLOWMETER	M.ELK-EDM-DGT-029
67	1/8" BRACKET	M.MEK-TE-SRI-035

CAPUCCINO ESPRESSO MACHINES

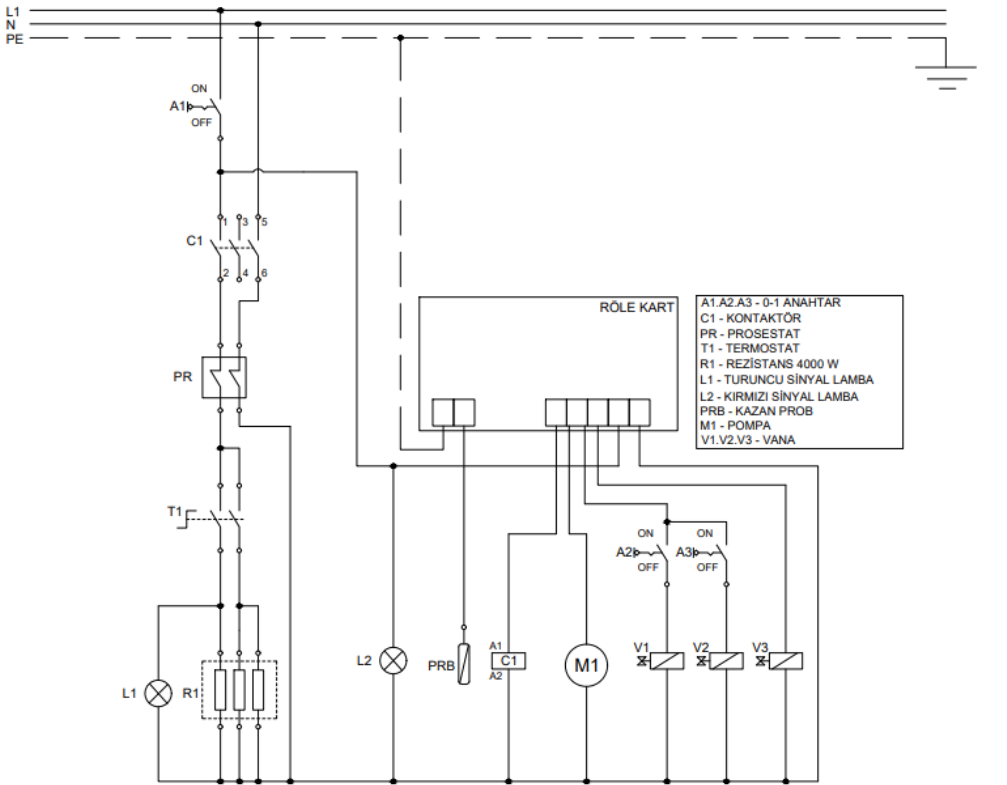
H ELECTRICAL CIRCUIT DIAGRAM



- | | |
|-----------|----------------------|
| RÖLE KART | |
| A1.A2 | 0-1 ANAHTAR |
| C1 | KONTAKTÖR |
| PR | PROSESTAT |
| T1 | TERMOSTAT |
| R1 | REZISTANS 4000 W |
| L1 | TURUNCU SINYAL LAMBA |
| L2 | KIRMIZI SINYAL LAMBA |
| PRB | KAZAN PROB |
| M1 | POMPA |
| V1.V2 | VANA |

EMP.CPC.1GR

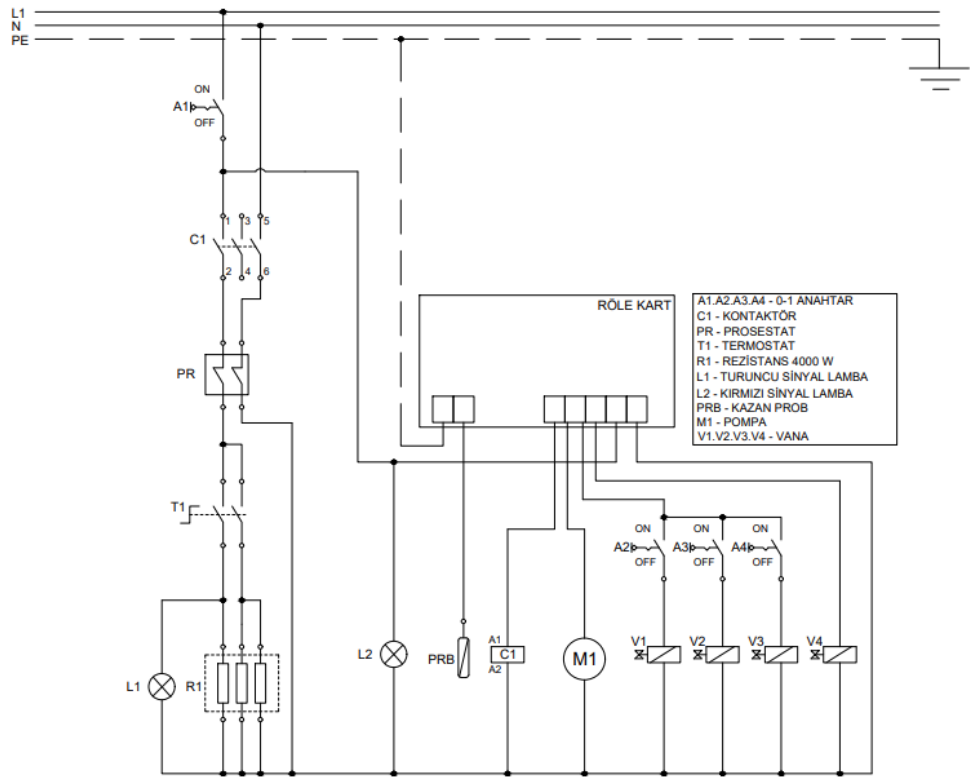
H ELECTRICAL CIRCUIT DIAGRAM



EMP.CPC.2GR

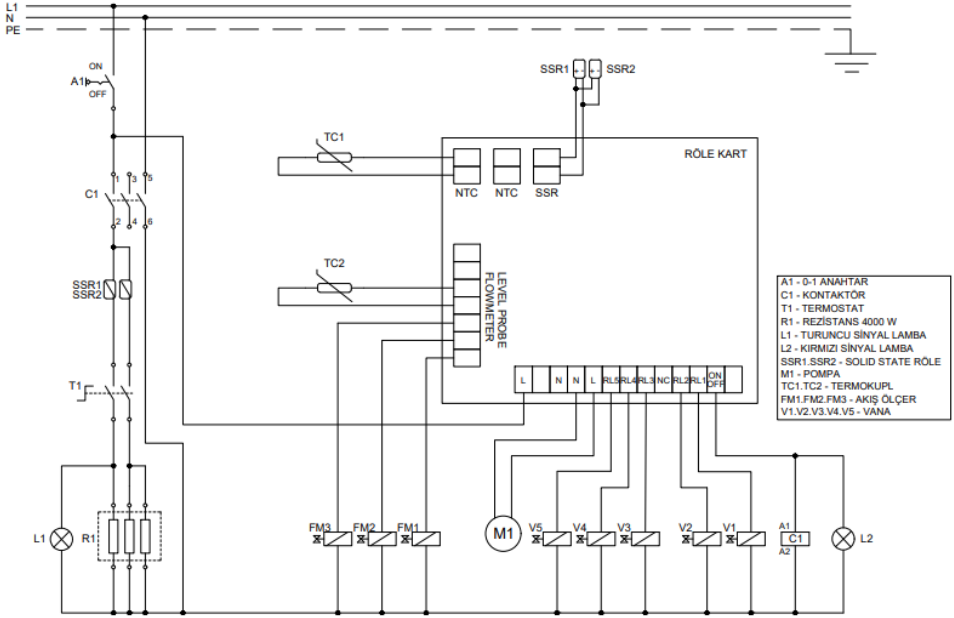
H ELECTRICAL CIRCUIT DIAGRAM

CAPUCCINO ESPRESSO MACHINES



EMP.CPC.3GR

H ELECTRICAL CIRCUIT DIAGRAM



EMP.CPC.2GR-D 3GR-D