



TEA MAKER WITH POT

CONTENTS

A	GENERAL INFORMATION	Page 2
A1	PRODUCT DESCRIPTION	Page 3
A2	TECHNICAL INFORMATION.....	Page 3
A3	TRANSPORTATION	Page 4
A4	UNPACKING	Page 4
B	INSTALLATION	Page 4
C	SAFETY INSTRUCTIONS.....	Page 5
D	OPERATION	Page 6
E	CLEANING & MAINTENANCE.....	Page 7
F	TROUBLESHOOTING	Page 8
G	SPARE PART LIST- EXPLODING DRAWING	Page 9
H	ELECTRIC CIRCUIT SCHEMA	Page 15

A GENERAL INFORMATION

Before installing the appliance, read operation and maintenance instructions carefully. Wrong installation and part changing may damage the product or may cause injury on people. These are not in our company's responsibility to damage the appliance intentionally, negligence, detriments because of disobeying instructions and regulations, wrong connections. Unauthorized intervention to appliance invalidates the warranty.

1. This instruction manual should be kept in a safe place for future reference.
2. **Installation should be made in accordance with ordinances and security rules of that country by a qualified service personnel.**
3. This appliance has to be used by trained person.
4. Please turn off the appliance immediately in the event of malfunction or failure. The appliance should be repaired only by authorized service personnel. Please demand original spare part.

TEA MAKER WITH POT

A1 PRODUCT DESCRIPTION

*The Professional Tea Maker ,that provides high efficiency has been designed to be used in industrial kitchens.

Product Code	Dimensions (mm)	Weight (kg)	Packaging Dimensions (mm)
EMP.DCY.120	294x367x400	8,6	320x400x460
EMP.DCY.250	352x425x440	12,6	380x450x490
EMP.DCY.350	415x487x455	14,6	440x530x510

A2 TECHNICAL INFORMATION

Product Code	Capacity (Lt)	Power (Kw)	Operating Voltage (V)	Cable (mm ²)	Fuse (A)
EMP.DCY.120	13	2	220	3x1,5	16
EMP.DCY.250	23	2,5	220	3x1,5	16
EMP.DCY.350	37	3,5	220	3x1,5	25

A3 TRANSPORTATION

*This appliance can be moved by hand from area to area. Do not crash and drop the appliance while transporting.

A4 UNPACKING

*Please unpack the package according to the security codes and ordinances of current country and get rid from the pack. Parts which contacts with food are produced by stainless steel. All plastic parts are marked by material's symbol.

*Please check that all the parts of appliance had come completely and if they are damaged or not during the shipping.

B INSTALLATION

*Please place the product to straight and sturdy ground, please take necessary steps against possibility of overturn.

*Technician who will serve for installation and service for the appliance must be professional on this subject and must have installation and service licenses by the company.

*Connection to Electric Power Supply must be done by authorized person.

*Please be sure that the voltage connected to appliance must be equal with the voltage which is on appliance's label.














This appliance must be connected to an earthed outlet in accordance with safety rules and standards.

*Appliance's earthing must be connected to earthing line on panel which is nearest to electric installation.

*Connection to the main fuse and leak current fuse must be done in accordance with the current regulations.

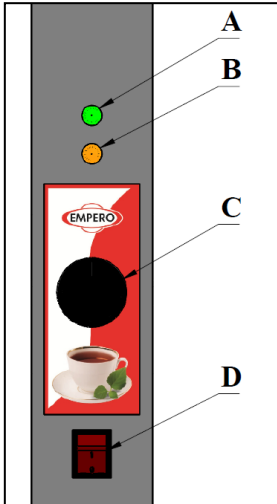
TEA MAKER WITH POT

C SAFETY INSTRUCTIONS

-  *Do not use the appliance in insufficient lighted place.
-  *Do not touch the moving attachments while the appliance operates.
-  *Do not install the appliance in the presence of flammable or explosive materials.
-  *Do not operate the appliance when the machine is empty.
-  *Do not load so less or more than appliance's capacity.
-  *Do not attempt to use the appliance without suitable protective equipments.
-  *Because of any reason if there is a fire or flame flare where the appliance is used, turn off all gas valves and electric contactor switch quickly and use fire extinguisher. Never use water to extinguish the fire.
-  *All the damages because of not having earthing connection will not be on warranty.
-  *Do not interfere the appliance with conductive or insulator material (etc: spoon) while the appliance is operating.
-  *Get the necessary cautions against electric danger.
-  *Always keep it where the children can not reach.

D OPERATION

* Control Panel:



A : Indicator lamp

B : Indicator lamp

C : Thermostat

D : 0-1 Switch

* Operating:

- Plug in the appliance and Switch to (I) position.
- Before first use fill the water tank completely with water and boil for 30 minutes. Then pour the water and rinse.
- Fill with water as bowl capacity. In order to prevent overflow leave 3-4 cm space from top.
- Adjust enough tea to pot.
- Set the thermostat button to 100-110°C and operate the appliance.
- The lamp (green led) that shows the heater works will be ON and 25-45 minutes later the water will be boiled. (Boiling time changes according to capacity.)
- After the water is boiled, turn the thermostat button back until the heater lamp is OFF and leave it where it is OFF. You will provide the water in the appliance to be adjusted at 95-100°C
- Fill the boiled water from hot water tap to infusion bowl and pour into the filter and then leave it for infusion for 10-12 minutes.
- When the level of water inside the bowl reduces the limit thermostat will be operate.. You will see the indicator lamp be on.
- After the operation completed, switch to (0) position and unplug the power supply.

TEA MAKER WITH POT

E CLEANING & MAINTENANCE

➤ **CLEANING AND MAINTENANCE AFTER EVERY USE**

- Clean the surface of appliance with moist cloth after every use.
- Always turn off the appliance and disconnect from the power supply before cleaning.
- Use vinegar or lemon juice to clean residual tea stains.
- Wash the tea pot with water and then dry.
- Do not use abrasive cleaning chemicals as these can leave harmful residues.
- Do not clean the appliance by spraying water directly, otherwise electric motor may get damaged.

➤ **PERIODIC CLEANING AND MAINTENANCE**

- Maintenance should be done by qualified person.
- Clean the resistance in appliance once in a week with lime remover according to instructions.
- Get the periodic maintenance of the appliance once in every 15 days;
 - Unplug the appliance.
 - Pour the tea and water from their tanks and turn off the taps.
 - Pay attention the lime remover that is used to have high quality.
 - When the resistance is hot, do not put lime remover into the appliance.
 - Do not operate the appliance when there is lime remover in it.
 - Pour a tea cup of lime remover into the bowl and rinse till it is fixed.
 - Do not use the lime remover with another cleaning material(etc: bleach, hydrochloric acid) during cleaning.
 - Do not keep the lime remover in the appliance more than 10 minutes.
 - Do not evacuate the lime remover that is in the appliance through the taps.
 - Rinse the inside of appliance with water.
 - Fill the tank with water and boil and then evacuate the water. Do not brew the tea with boiled water.



TEA MAKER WITH POT

F TROUBLESHOOTING

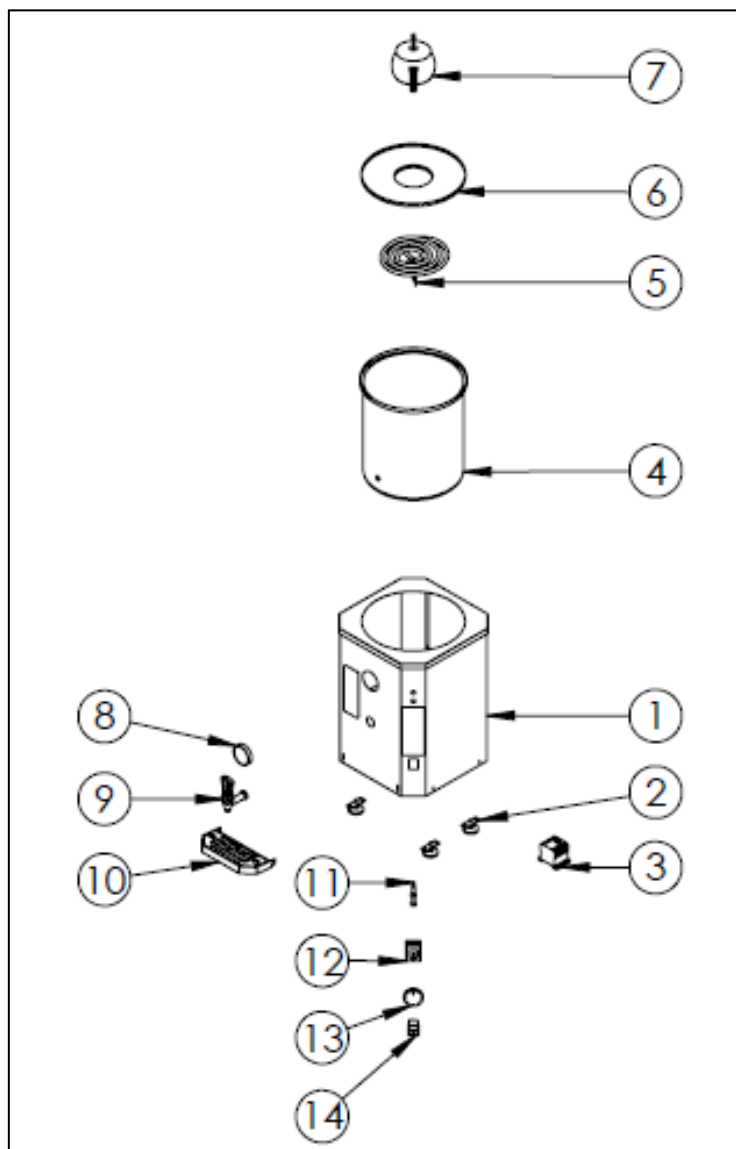
THE APPLIANCE DOESN'T OPERATE	<ol style="list-style-type: none">1. Check if the appliance is plugged in.2. Check the electrical connections and voltage.
THE APPLIANCE IS NOISY	<ol style="list-style-type: none">1. If the water level in the bowl is lower than tap level, add water.2. If the appliance's thermostat button is broken, the water in the bowl will always boil, check it.
THE APPLIANCE STOPPED	<ol style="list-style-type: none">1. The appliance can stop due to low voltage. In this situation check the voltage.
THE APPLIANCE DOESN'T HEAT THE WATER	<ol style="list-style-type: none">1. If there is calcification at the appliance's resistance, the water in the bowl is not heated.

- If tea making is not done at suitable quality
- If any function of security doesn't work
 - Do not use the appliance.

***If these problems are still going on, contact with our authorized services.**

TEA MAKER WITH POT

G SPARE PART LIST-EXPLODING DRAWING

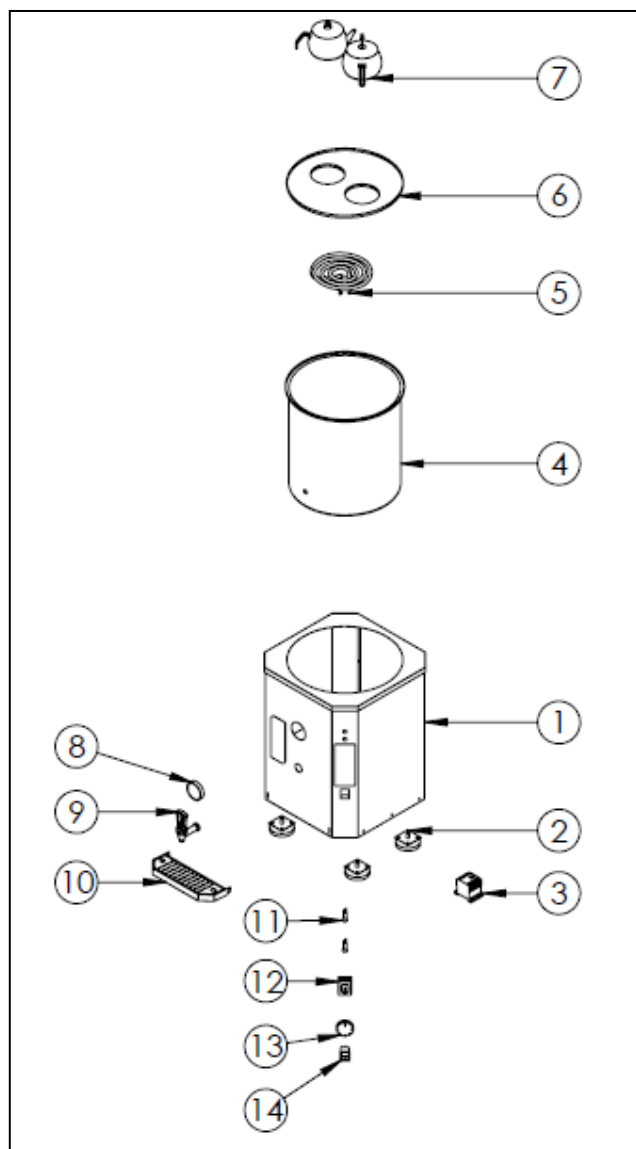


G SPARE PART LIST-EXPLODING DRAWING

PRODUCT CODE:EMP.DCY.120		
NO	PRODUCT NAME	P.CODE
1	BASE FARME	Y.EMP.DCY.120.001
2	FEET	Y.EMP.DCY.120.002
3	CONTACTOR	Y.EMP.DCY.120.003
4	BOWL	Y.EMP.DCY.120.004
5	RESISTANCE	Y.EMP.DCY.120.005
6	LID	Y.EMP.DCY.120.006
7	POT	Y.EMP.DCY.120.007
8	INDICATOR THERMOSTAT	Y.EMP.DCY.120.008
9	TAP	Y.EMP.DCY.120.009
10	PLATFORM	Y.EMP.DCY.120.010
11	WARNING LAMP	Y.EMP.DCY.120.011
12	THERMOSTAT	Y.EMP.DCY.120.012
13	THERMOSTAT BUTTON	Y.EMP.DCY.120.013
14	SWITCH (ON-OFF)	Y.EMP.DCY.120.014

TEA MAKER WITH POT

G SPARE PART LIST-EXPLODING DRAWING

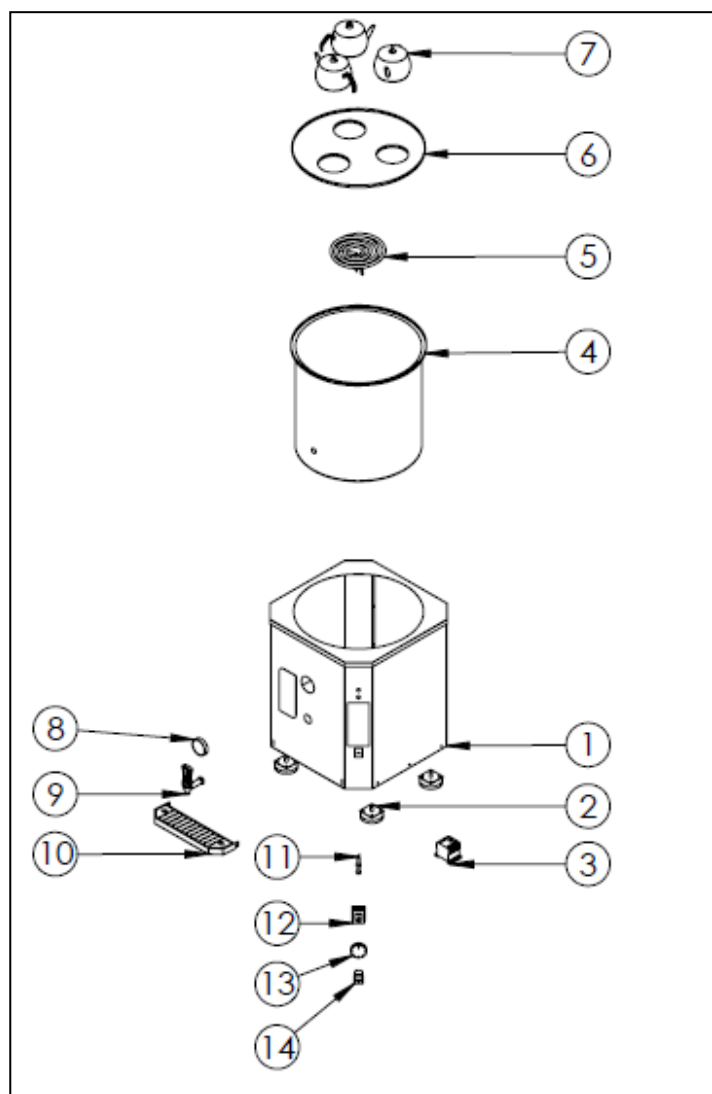


G SPARE PART LIST-EXPLODING DRAWING

PRODUCT CODE:EMP.DCY.250		
NO	PRODUCT NAME	P.CODE
1	BASE FARME	Y.EMP.DCY.250.001
2	FEET	Y.EMP.DCY.250.002
3	CONTACTOR	Y.EMP.DCY.250.003
4	BOWL	Y.EMP.DCY.250.004
5	RESISTANCE	Y.EMP.DCY.250.005
6	LID	Y.EMP.DCY.250.006
7	POT	Y.EMP.DCY.250.007
8	INDICATOR THERMOSTAT	Y.EMP.DCY.250.008
9	TAP	Y.EMP.DCY.250.009
10	PLATFORM	Y.EMP.DCY.250.010
11	WARNING LAMP	Y.EMP.DCY.250.011
12	THERMOSTAT	Y.EMP.DCY.250.012
13	THERMOSTAT BUTTON	Y.EMP.DCY.250.013
14	SWITCH (ON-OFF)	Y.EMP.DCY.250.014

TEA MAKER WITH POT

G SPARE PART LIST-EXPLODING DRAWING

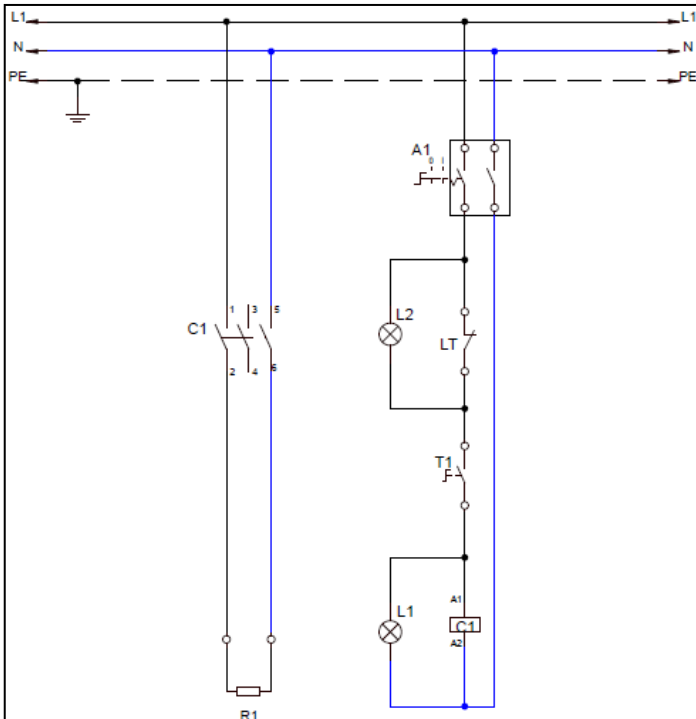


G SPARE PART LIST-EXPLODING DRAWING**PRODUCT CODE:EMP.DCY.350**

NO	PRODUCT NAME	P.CODE
1	BASE FARME	Y.EMP.DCY.350.001
2	FEET	Y.EMP.DCY.350.002
3	CONTACTOR	Y.EMP.DCY.350.003
4	BOWL	Y.EMP.DCY.350.004
5	RESISTANCE	Y.EMP.DCY.350.005
6	LID	Y.EMP.DCY.350.006
7	POT	Y.EMP.DCY.350.007
8	INDICATOR THERMOSTAT	Y.EMP.DCY.350.008
9	TAP	Y.EMP.DCY.350.009
10	PLATFORM	Y.EMP.DCY.350.010
11	WARNING LAMP	Y.EMP.DCY.350.011
12	THERMOSTAT	Y.EMP.DCY.350.012
13	THERMOSTAT BUTTON	Y.EMP.DCY.350.013
14	SWITCH (ON-OFF)	Y.EMP.DCY.350.014

TEA MAKER WITH POT

H ELECTRIC CIRCUIT SCHEMA



CODE	KW
EMP.DCY.120	2
EMP.DCY.250	2,5
EMP.DCY.350	3,5

T1	THERMOSTAT 30-120°C
R1	RESISTANCE 220V 2000 W
L1	THERMOSTAT SIGNAL LAMP
L2	THERMIC SIGNAL LAMP
A1	0-1 SWITCH
C1	RESISTANCE CONTACTOR 220V
LT	LIMIT THERMOSTAT 100°C