

ELECTRIC GRILLS

CONTENTS

A	GENERAL INFORMATION	Page 2
A1	PRODUCT DESCRIPTION	Page 3
A2	TECHNICAL INFORMATION	Page 4
A3	TRANSPORTATION	Page 5
A4	UNPACKING	Page 5
B	INSTALLATION	Page 5
C	SAFETY INSTRUCTIONS	Page 6
D	OPERATION.....	Page 7
E	CLEANING & MAINTENANCE.....	Page 8
F	TROUBLESHOOTING.....	Page 9
G	SPARE PART LIST- EXPLODING DRAWING	Page 10
H	ELECTRIC CIRCUIT SCHEMA	Page 28

A GENERAL INFORMATION

Before installing the appliance, read operation and maintenance instructions carefully. Wrong installation and part changing may damage the product or may cause injury on people. These are not in our company's responsibility to damage the appliance intentionally, negligence, detriments because of disobeying instructions and regulations, wrong connections. Unauthorized intervention to appliance invalidates the warranty.

1. This instruction manual should be kept in a safe place for future reference.
2. **Installation should be made in accordance with ordinances and security rules of that country by a qualified service personnel.**
3. This appliance has to be used by trained person.
4. Please turn off the appliance immediately in the event of malfunction or failure. The appliance should be repaired only by authorized service personnel. Please demand original spare part.

ELECTRIC GRILLS

A1 PRODUCT DESCRIPTION

*The Professional Electric Grills ,that provides high efficiency has been designed to be used in industrial kitchens.

Product Code	Dimensions (mm)	Weight (kg)	Packaging Dimensions (mm)
EMP.6IE010	400x665x285	45	480x760x600
EMP.6IE011	600x665x285	45	480x760x600
EMP.6IE020	600x665x285	58	700x760x600
EMP.6IE021	600x665x285	58	700x760x600
EMP.6IE022	600x665x285	58	700x760x600
EMP.6IE030	900x665x285	87	1000x760x600
EMP.6IE031	900x665x285	87	1000x760x600
EMP.6IE032	900x665x285	87	1000x760x600
EMP.PLS.7IE010	400x730x300	55	800x480x620
EMP.PLS.7IE011	400x730x300	55	800x480x620
EMP.PLS.7IE020	800x730x300	97	900x850x620
EMP.PLS.7IE021	800x730x300	97	900x850x620
EMP.PLS.7IE022	800x730x300	97	900x850x620
EMP.PLS.7IE030	1200x730x300	138	1280x850x620
EMP.PLS.7IE031	1200x730x300	138	1280x850x620
EMP.PLS.7IE032	1200x730x300	138	1280x850x620
EMP.PLS.9IE010	400x900x300	62	480x1000x620
EMP.PLS.9IE011	400x900x300	62	480x1000x620
EMP.PLS.9IE020	800x900x300	115	900x1000x620
EMP.PLS.9IE021	800x900x300	115	900x1000x620
EMP.PLS.9IE022	800x900x300	115	900x1000x620
EMP.PLS.9IE030	1200x900x300	115	1280x1000x620
EMP.PLS.9IE031	1200x900x300	115	1280x1000x620
EMP.PLS.9IE032	1200x900x300	115	1280x1000x620

A2 TECHNICAL INFORMATION

Product Code	Model	Electric Inlet	Cable (mm ²)	Power (KW)
EMP.6IE010	Grill Smooth Plate	400V AC 3N PE	5x2,5	3,6
EMP.6IE011	Grill Ribbed Plate	400V AC 3N PE	5x2,5	3,6
EMP.6IE020	Grill Smooth Plate	400V AC 3N PE	5x2,5	7,2
EMP.6IE021	Grill Ribbed Plate	400V AC 3N PE	5x2,5	7,2
EMP.6IE022	Grill Smooth+Ribbed Plate	400V AC 3N PE	5x2,5	7,2
EMP.6IE030	Grill Smooth Plate	400V AC 3N PE	5x2,5	10,8
EMP.6IE030	Grill Ribbed Plate	400V AC 3N PE	5x2,5	10,8
EMP.6IE032	Grill Smooth+Ribbed Plate	400V AC 3N PE	5x2,5	10,8
EMP.PLS.7IE010	Grill Smooth Plate	400V AC 3N PE	5x2,5	4,2
EMP.PLS.7IE011	Grill Ribbed Plate	400V AC 3N PE	5x2,5	4,2
EMP.PLS.7IE020	Grill Smooth Plate	400V AC 3N PE	5x2,5	8,4
EMP.PLS.7IE021	Grill Ribbed Plate	400V AC 3N PE	5x2,5	8,4
EMP.PLS.7IE022	Grill Smooth+Ribbed Plate	400V AC 3N PE	5x2,5	8,4
EMP.PLS.7IE030	Grill Smooth Plate	400V AC 3N PE	5x2,5	12,6
EMP.PLS.7IE031	Grill Ribbed Plate	400V AC 3N PE	5x2,5	12,6
EMP.PLS.7IE032	Grill Smooth+Ribbed Plate	400V AC 3N PE	5x2,5	12,6
EMP.PLS.9IE010	Grill Smooth Plate	400V AC 3N PE	5x2,5	6
EMP.PLS.9IE011	Grill Ribbed Plate	400V AC 3N PE	5x2,5	6
EMP.PLS.9IE020	Grill Smooth Plate	400V AC 3N PE	5x2,5	12
EMP.PLS.9IE021	Grill Ribbed Plate	400V AC 3N PE	5x2,5	12
EMP.PLS.9IE022	Grill Smooth+Ribbed Plate	400V AC 3N PE	5x2,5	12
EMP.PLS.9IE030	Grill Smooth Plate	400V AC 3N PE	5x2,5	18
EMP.PLS.9IE031	Grill Ribbed Plate	400V AC 3N PE	5x2,5	18
EMP.PLS.9IE032	Grill Smooth+Ribbed Plate	400V AC 3N PE	5x2,5	18

ELECTRIC GRILLS

A3 TRANSPORTATION

*This appliance can not be moved by hand from area to area. It must be moved on pallet with forklift truck.

A4 UNPACKING

*Please unpack the package according to the security codes and ordinances of current country and get rid from the pack. Parts which contacts with food are produced by stainless steel. All plastic parts are marked by material's symbol.

*Please check that all the parts of appliance had come completely and if they are damaged or not during the shipping.


B INSTALLATION

*Please place the product to straight and sturdy ground, please take necessary steps against possibility of overturn.

*Technician who will serve for installation and service for the appliance must be professional on this subject and must have installation and service licenses by the company.

*Connection to Electric Power Supply must be done by authorized person.

*Please be sure that the voltage connected to appliance must be equal with the voltage which is on appliance's label.










 This appliance must be connected to an earthed outlet in accordance with safety rules and standards.

*Appliance's earthing must be connected to earthing line on panel which is nearest to electric installation.

*Connection to the main fuse and leak current fuse must be done in accordance with the current regulations.

*If the location where Electric Grills placed is covered with nonflammable heat insulation material, the distance between them must be 5 cm. Otherwise it should be at least 20 cm. The appliance shouldn't be operated under chimney hood.

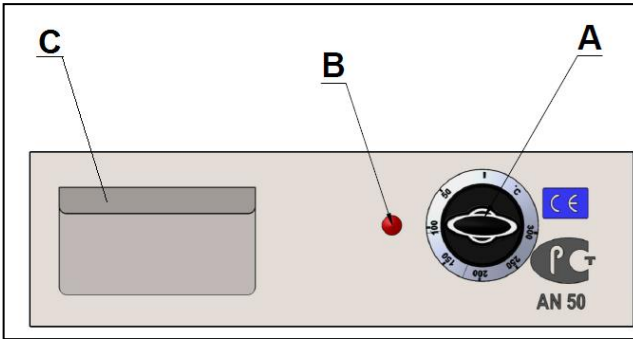
C SAFETY INSTRUCTIONS

-  *Do not use the appliance in insufficient lighted place.
-  *Do not touch the moving attachments while the appliance operates.
-  *Do not install the appliance in the presence of flammable or explosive materials.
-  *Do not operate the appliance when the machine is empty.
-  *Do not load so less or more than appliance's capacity.
-  *Do not attempt to use the appliance without suitable protective equipments.
-  *Because of any reason if there is a fire or flame flare where the appliance is used, turn off all gas valves and electric contactor switch quickly and use fire extinguisher. Never use water to extinguish the fire.
-  *All the damages because of not having earthing connection will not be on warranty.
-  *Do not put watery materials on the grill. Otherwise oil splashes may cause serious burn.

ELECTRIC GRILLS

D OPERATION

*Control Panel;



A : Heat setting button

B : Indicator lamp

C : Oil drawer

*Operating;

- Plug in the grill.
- In order to operate the grill, switch (I) position.
- Operate the grill when it is empty for the first use. Then it will be ready for use.
- In order to set the appliance's temperature, switch the thermostat to desired temperature.
- When the thermostat switch is turned, the heaters start to operate and indicator lamp on switch signals as it operates. During the operation of heaters the thermostat steps in and signal lamp becomes off if the grill is off.
- Put the materials that will be cooked on the grill, while it is being heated.
- While the cooking is going on at grill be sure that the used oil is accumulated at oil drawer.
- After the operation is completed switch to (0) position.

E CLEANING & MAINTENANCE

➤ CLEANING AND MAINTENANCE AFTER EVERY USE

- Always turn off the appliance and disconnect from the power supply before cleaning.
- Clean the outer surface of the appliance with a wet cloth and chrome shiner.
- Do not use abrasive cleaning chemicals as these can leave harmful residues.
- Do not clean the appliance by spraying water directly, otherwise electric motor may get damaged.
- Clean the grill with suitable scraper after every use.

➤ PERIODIC CLEANING AND MAINTENANCE

- Maintenance should be done by qualified person.
- Get the periodic maintenance of the appliance once in every 15 days.
- Clean the oil drawer in periodic times. For this fill the oil drawer with water and heat it. This process will help to clean frozen and stucked oil.
- Maintenance of the appliance's contactor should be done by compressed air according to frequency of use.

ELECTRIC GRILLS

F TROUBLESHOOTING

THE APPLIANCE DOESN'T OPERATE	<ol style="list-style-type: none">1. Check if the appliance is plugged in.2. Check the electrical connections and voltage.3. Check the fuse if it is on or not.
--------------------------------------	---

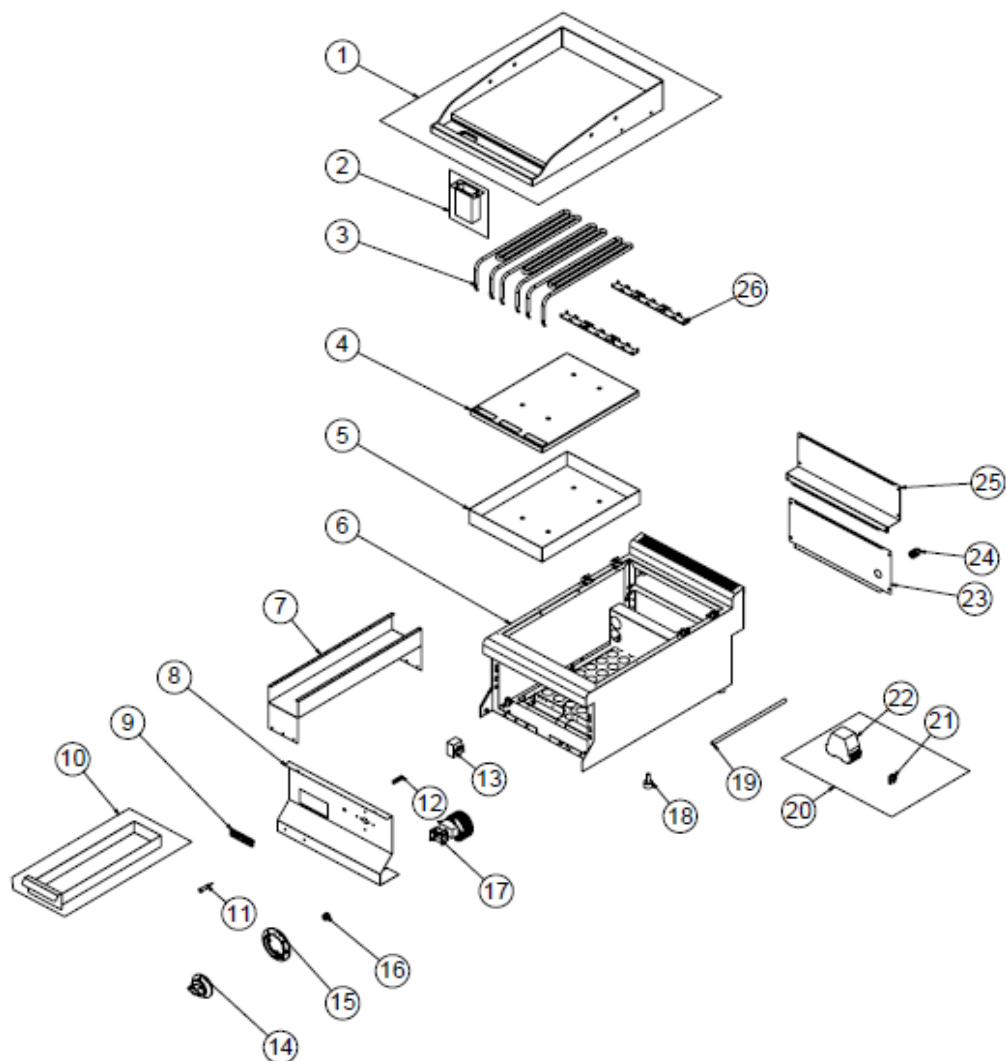
THE APPLIANCE DOESN'T COOK WELL	<ol style="list-style-type: none">1. Check if the appliance is operated at suitable temperature or not.
--	---

THE APPLIANCE STOPPED	<ol style="list-style-type: none">1. The appliance can stop due to low voltage. In this situation check the voltage.
------------------------------	--

<ul style="list-style-type: none">• If cooking at electric grills is not done at suitable quality• If any function of security doesn't work<ul style="list-style-type: none">➤ Do not use the appliance.

***If these problems are still going on, contact with our authorized services.**

G SPARE PART LIST-EXPLODING DRAWING



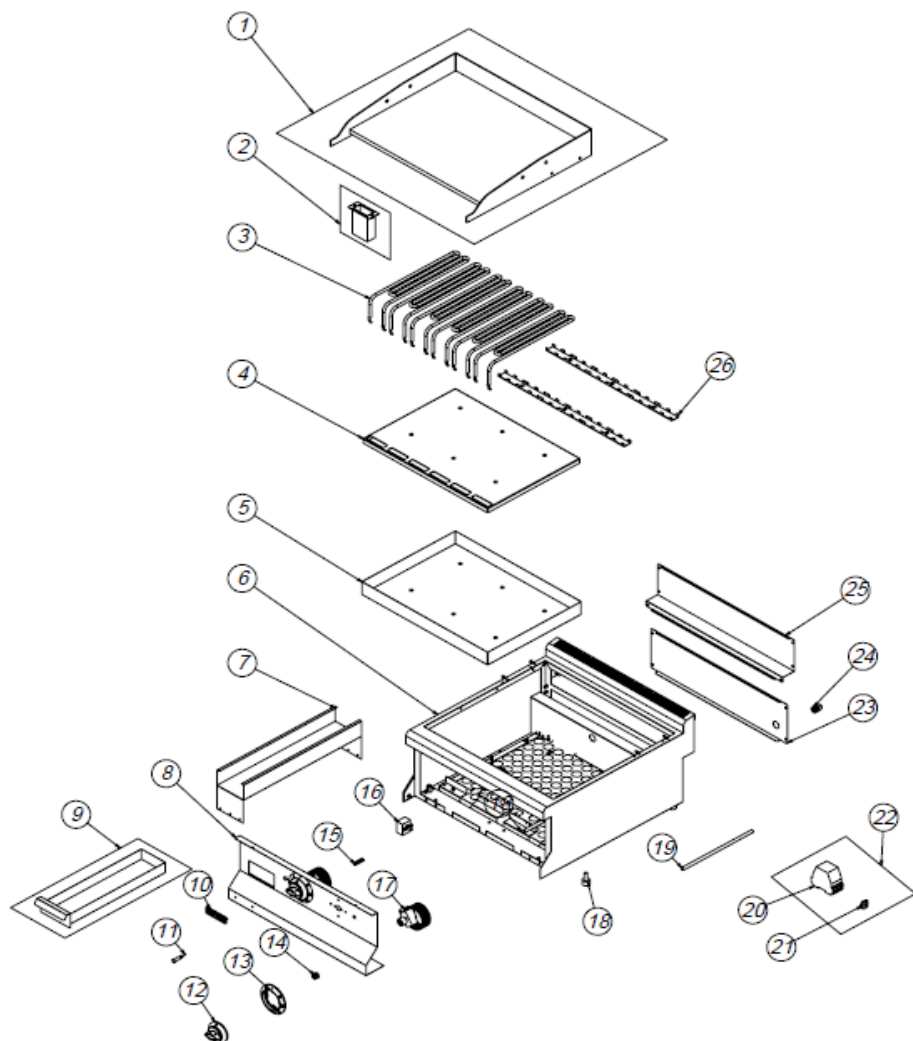
EMP.6IE010/6IE010-K/6IE011/6IE011-K

ELECTRIC GRILLS

G SPARE PART LIST-EXPLODING DRAWING

PRODUCT CODE: EMP.6IE010/6IE010-K/6IE011/6IE011-K		
NO	PRODUCT NAME	P.CODE
1	PLATINUM	ARA-KNX.SNC-0003
2	DISCHARGE PROFILE	ARA-KNX.SNC-0002
3	230V 1200W RESISTANCE	M.ELK-RZS-BRU-IZG-015
4	INSULATION BOTTOM SHEET	YSC-KNX.SNC-PN-0021
5	INSULATION TOP SHEET	YSC-KNX.SNC-PN-0045
6	CHASSIS	-
7	OIL SLIDE SHEET	YSC-KNX.SNC-PN-0120
8	FRONT PANEL	YSC-KNX.SNC-LZ-0155
9	TICKET	JP.M.AKS-OZL-MTL-001
10	DRAWER	ARA-KNX.SNC-0001
11	SIGNAL LAMP	M.ELK-LMB-SNY-002
12	M4 FRAME SPRING	M.YAY-PG-004
13	360°C LIMITOR	JP.M.ELK-MEK-LMT-004
14	BUTTON	M.AKS-DGM-EMP-024
15	50-300 °C BUTTON BUFFER	M.AKS-DGM-EMP-017
16	BUTTON SOCKET 6 MM	M.AKS-DGM-SKT-002
17	16A 400V THERMOSTAT	M.ELK-MEK-TRM1-005
18	M10*35 FOOT	JP.M.AKS-AYK-PLS-002
19	ELECTRIC PIPE 300 MM	YBR-KNX.SNC-KS-0005
20	CABLE BACKET	M.ELK-DMT-SN-008
21	NO:2 25 MM TERMINAL	M.ELK-KLM-RKL-4*4-SRY
22	CONTACTOR 230V	JP.M.ELK-KNT-KNT-006
23	REAR BOTTOM SHEET	YSC-KNX.SNC-PN-0106
24	PG-16 CABLE FITTING	JP.M.ELK-RKR-PLS-001
25	REAR TOP SHEET	YSC-KNX.SNC-PN-0105
26	RESISTANCE SUPPORT SHEET	YSC-KNX.SNC-PN-0219

G SPARE PART LIST-EXPLODING DRAWING



EMP.6IE020/6IE020-K/6IE021/6IE021-K/6IE022/6IE022-K

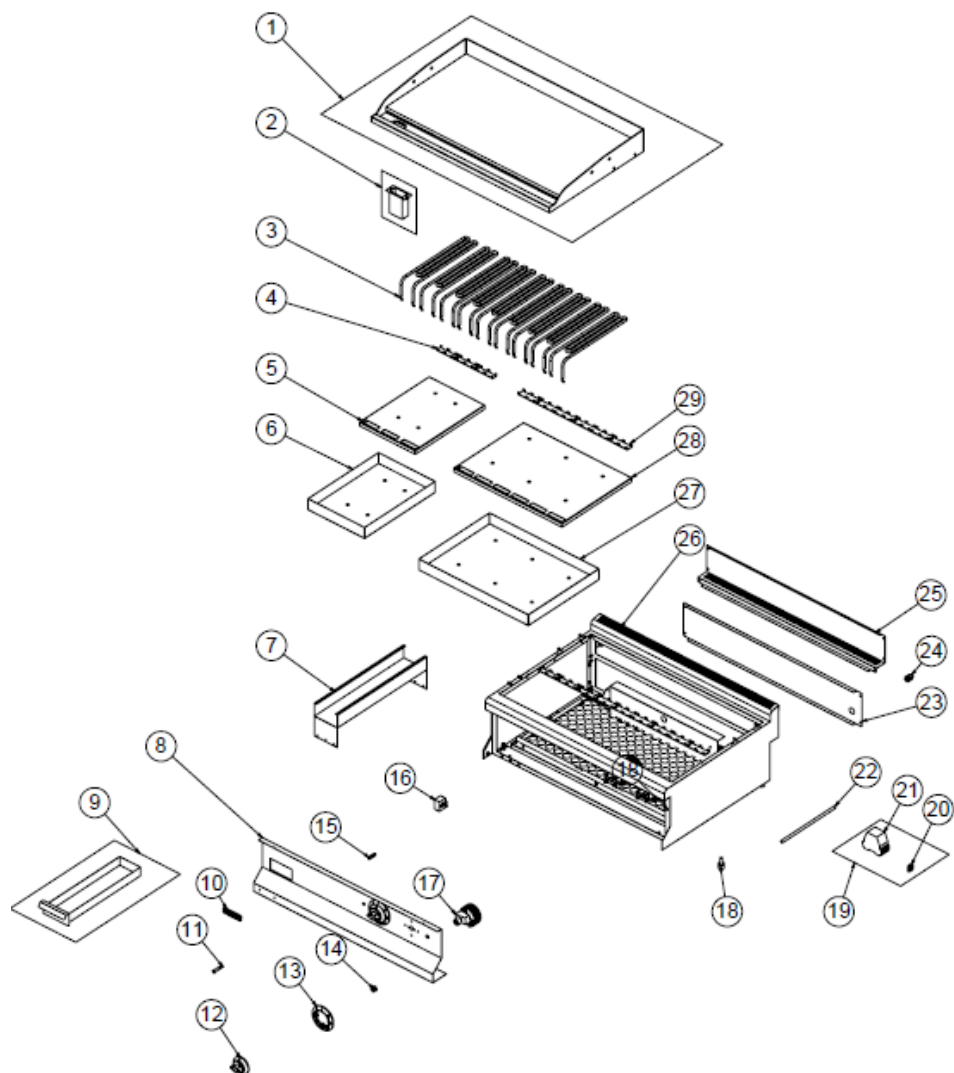
ELECTRIC GRILLS

G SPARE PART LIST-EXPLODING DRAWING

PRODUCT CODE : EMP.6IE020/6IE020-K/6IE021/6IE021-K/6IE022/6IE022-K

NO	PRODUCT NAME	P.CODE
1	PLATINUM	ARA-KNX.SNC-0007
2	DISCHARGE PROFILE	ARA-KNX.SNC-0002
3	230V 1200W RESISTANCE	M.ELK-RZS-BRU-IZG-015
4	INSULATION BOTTOM SHEET 2	YSC-KNX.SNC-PN-0022
5	INSULATION BALL SHEET 2	YSC-KNX.SNC-PN-0043
6	CHASSIS	-
7	OIL SLIDE SHEET	YSC-KNX.SNC-PN-0120
8	FRONT PANEL	YSC-KNX.SNC-LZ-0156
9	DRAWER	ARA-KNX.SNC-0001
10	TICKET	JP.M.AKS-OZL-MTL-001
11	SIGNAL LAMP	M.ELK-LMB-SNY-002
12	BUTTON	M.AKS-DGM-EMP-024
13	50-300 °C BUTTON BUFFER	M.AKS-DGM-EMP-017
14	BUTTON SOCKET 6 MM	M.AKS-DGM-SKT-002
15	M4 FRAME SPRING	M.YAY-PG-004
16	360°C LIMITOR	JP.M.ELK-MEK-LMT-004
17	16A 400V THERMOSTAT	M.ELK-MEK-TRM1-005
18	M10*35 FOOT	JP.M.AKS-AYK-PLS-002
19	ELECTRIC PIPE 300 MM	YBR-KNX.SNC-KS-0005
20	CONTACTOR 230V	JP.M.ELK-KNT-KNT-006
21	NO:2 25 MM TERMINAL	M.ELK-KLM-RKL-4*4-SRY
22	CABLE BASKET	M.ELK-DMT-SN-003
23	REAR BOTTOM SHEET	YSC-KNX.SNC-PN-0111
24	PG-16 CABLE FITTING	JP.M.ELK-RKR-PLS-001
25	REAR TOP SHEET	YSC-KNX.SNC-PN-0110
26	RESISTANCE SUPPORT SHEET 2	YSC-KNX.SNC-PN-0218

G SPARE PART LIST-EXPLODING DRAWING



EMP.6IE030/6IE030-K/6IE031/6IE031-K/6IE032/6IE032-K

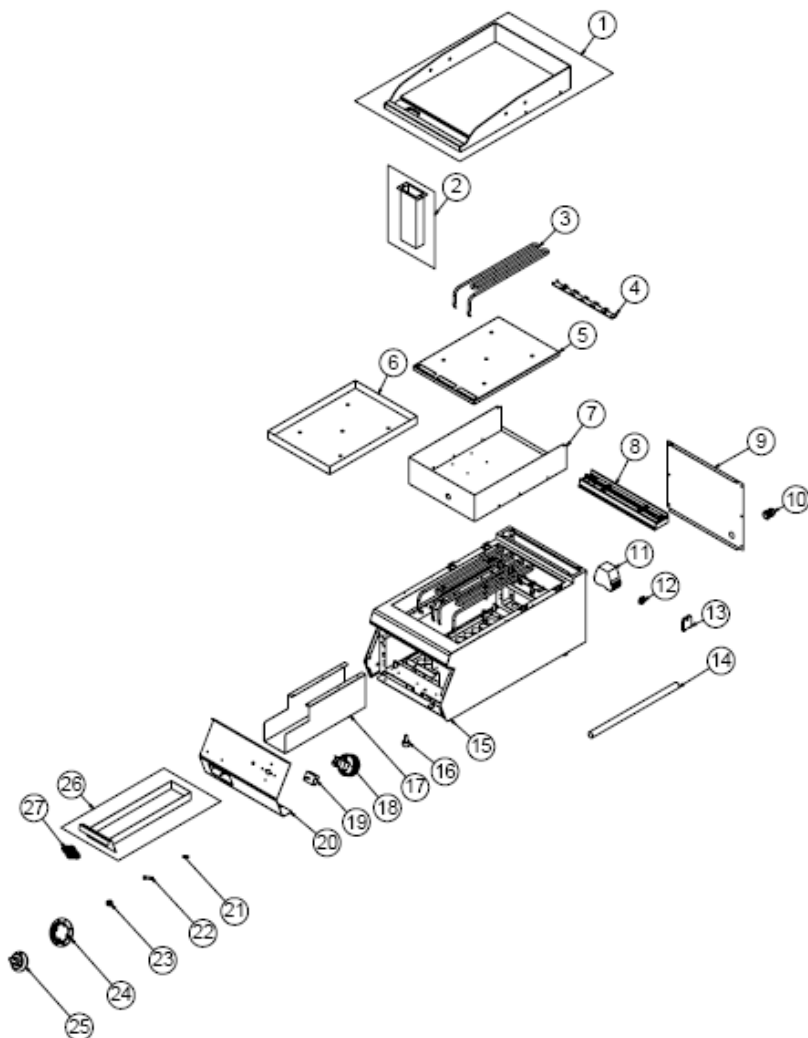
ELECTRIC GRILLS

G SPARE PART LIST-EXPLODING DRAWING

PRODUCT CODE : EMP.6IE030/6IE030-K/6IE031/6IE031-K/6IE032/6IE032-K

NO	PRODUCT NAME	P.CODE
1	PLATINUM	ARA-KNX.SNC-0013
2	DISCHARGE PROFILE	ARA-KNX.SNC-0002
3	230V 1200W RESISTANCE	M.ELK-RZS-BRU-IZG-015
4	RESISTANCE SUPPORT SHEET	YSC-KNX.SNC-PN-0219
5	INSULATION BOTTOM SHEET	YSC-KNX.SNC-PN-0021
6	INSULATION TOP SHEET	YSC-KNX.SNC-PN-0045
7	OIL SLIDE SHEET	YSC-KNX.SNC-PN-0120
8	FRONT PANEL	YSC-KNX.SNC-LZ-0157
9	DRAWER	ARA-KNX.SNC-0001
10	TICKET	JP.M.AKS-OZL-MTL-001
11	SIGNAL LAMP	M.ELK-LMB-SNY-002
12	BUTTON	M.AKS-DGM-EMP-024
13	50-300 °C BUTTON BUFFER	M.AKS-DGM-EMP-017
14	BUTTON SOCKET 6 MM	M.AKS-DGM-SKT-002
15	M4 FRAME SPRING	M.YAY-PG-004
16	360°C LIMITOR	JP.M.ELK-MEK-LMT-004
17	16A 400V THERMOSTAT	M.ELK-MEK-TRM1-005
18	M10*35 FOOT	JP.M.AKS-AYK-PLS-002
19	CABLE BACKET	M.ELK-DMT-SN-011
20	NO:2 25 MM TERMINAL	M.ELK-KLM-RKL-4*4-SRY
21	CONTACTOR 230V	JP.M.ELK-KNT-KNT-006
22	ELECTRIC PIPE 300 MM	YBR-KNX.SNC-KS-0005
23	REAR BOTTOM SHEET	YSC-KNX.SNC-PN-0122
24	PG-16 CABLE FITTING	JP.M.ELK-RKR-PLS-001
25	REAR TOP SHEET	YSC-KNX.SNC-PN-0121
26	CHASSIS	-
27	INSULATION BALL SHEET 2	YSC-KNX.SNC-PN-0043
28	INSULATION BOTTOM SHEET 2	YSC-KNX.SNC-PN-0022
29	RESISTANCE SUPPORT SHEET 2	YSC-KNX.SNC-PN-0218

G SPARE PART LIST-EXPLODING DRAWING



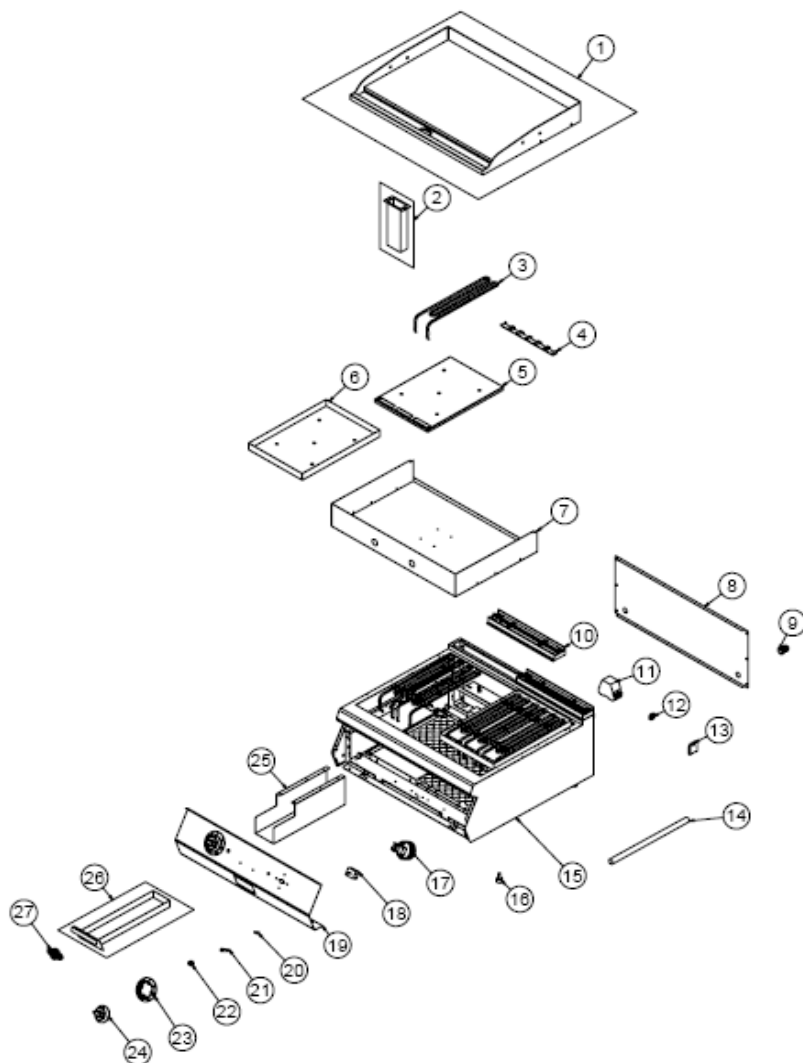
EMP.PLS.7IE010/PLS.7IE010-K/PLS.7IE011/PLS.7IE011-K

ELECTRIC GRILLS

G SPARE PART LIST-EXPLODING DRAWING

PRODUCT CODE : EMP.PLS.7IE010/PLS.7IE010-K/PLS.7IE011/PLS.7IE011-K		
NO	PRODUCT NAME	P.CODE
1	PLATINUM	ARA-KNX.PG7-0023
2	PROFILE	ARA-KNX.PG7-0002
3	230V 1400W RESISTANCE	M.ELK-RZS-BRU-IZG-012
4	RESISTANCE CONEXION SHEET	YSC-KNX.PG7-LZ-0999
5	INSULATION BOTTOM SHEET	YSC-KNX.PG7-LZ-1023
6	INSULATION TOP SHEET	YSC-KNX.PG7-LZ-1024
7	COMBUSTION SECTION	YSC-KNX.PG7-PN-0858
8	40 CM X 7 CM CHIMNEY	JP.M.AKS-DKM-KZN-013
9	BACK COVER SHEET	JP.YSC-KNX.PG7-PN-0391
10	PG-16 CABLE FITTING	JP.M.ELK-RKR-PLS-001
11	CONTACTOR 230V	JP.M.ELK-KNT-KNT-006
12	NO:2 25 MM TERMINAL	M.ELK-KLM-RKL-4*4-SRY
13	AVK 16 TERMINAL	JP.M.ELK-KLM-058
14	CABLE PIPE 450 MM	YBR-KNX.PG9-KS-0002
15	CHASSIS	-
16	M10*35 FOOT	JP.M.AKS-AYK-PLS-002
17	SLIDE SHEET	YSC-KNX.PG7-PN-0582
18	16A 400V THERMOSTAT	M.ELK-MEK-TRM1-005
19	360°C LIMITOR	JP.M.ELK-MEK-LMT-004
20	FRONT PANEL	YSC-KNX.PG7-LZ-1000
21	M4 FRAME SPRING	M.YAY-PG-004
22	SIGNAL LAMP	M.ELK-LMB-SNY-002
23	BUTTON SOCKET 6 MM	M.AKS-DGM-SKT-002
24	50-300 °C BUTTON BUFFER	M.AKS-DGM-EMP-017
25	BUTTON	M.AKS-DGM-EMP-024
26	DRAWER	ARA-KNX.PG7-0001
27	TICKET	M.AKS-OZL-MTL-006

G SPARE PART LIST-EXPLODING DRAWING



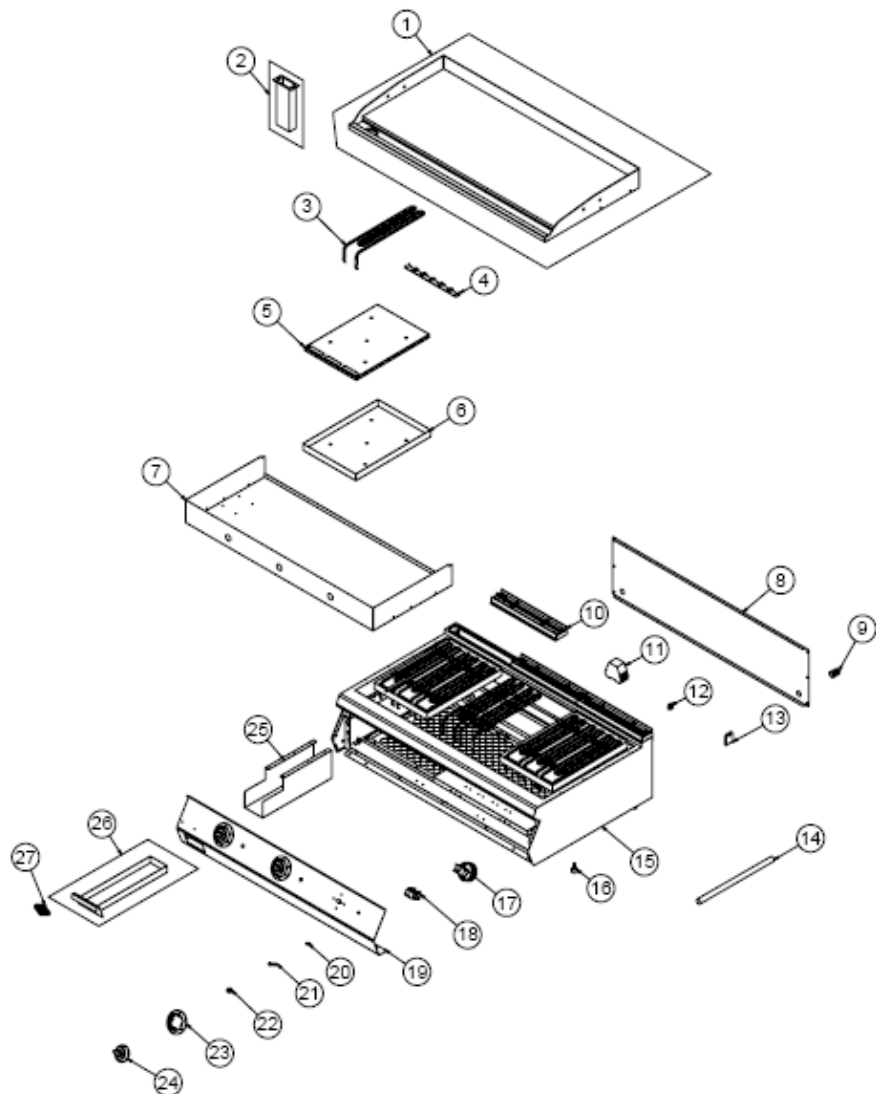
EMP.PLS.7IE020/PLS.7IE020-K/PLS.7IE021/PLS.7IE021-K/PLS.7IE022/PLS.7IE022-K

ELECTRIC GRILLS

G SPARE PART LIST-EXPLODING DRAWING

PRODUCT CODE : EMP.PLS.7IE020/PLS.7IE020-K/PLS.7IE021/PLS.7IE021-K/PLS.7IE022/PLS.7IE022-K		
NO	PRODUCT NAME	P.CODE
1	PLATINUM	ARA-KNX.PG7-0027
2	PROFILE	ARA-KNX.PG7-0002
3	230V 1400W RESISTANCE	M.ELK-RZS-BRU-IZG-012
4	RESISTANCE CONEXION SHEET	YSC-KNX.PG7-LZ-0999
5	INSULATION BOTTOM SHEET	YSC-KNX.PG7-LZ-1023
6	INSULATION TOP SHEET	YSC-KNX.PG7-LZ-1024
7	COMBUSTION SECTION	YSC-KNX.PG7-PN-0859
8	BACK SHEET METAL	YSC-KNX.PG7-PN-0398
9	PG-16 CABLE FITTING	JP.M.ELK-RKR-PLS-001
10	40 CM X 7 CM CHIMNEY	JP.M.AKS-DKM-KZN-013
11	CONTACTOR 230V	JP.M.ELK-KNT-KNT-006
12	NO:2 25 MM TERMINAL	M.ELK-KLM-RKL-4*4-SRY
13	AVK 16 TERMINAL	JP.M.ELK-KLM-058
14	CABLE PIPE 450 MM	YBR-KNX.PG9-KS-0002
15	CHASSIS	-
16	M10*35 FOOT	JP.M.AKS-AYK-PLS-002
17	16A 400V THERMOSTAT	M.ELK-MEK-TRM1-005
18	360°C LIMITOR	JP.M.ELK-MEK-LMT-004
19	FRONT PANEL	YSC-KNX.PG7-LZ-1001
20	M4 FRAME SPRING	M.YAY-PG-004
21	SIGNAL LAMP	M.ELK-LMB-SNY-002
22	BUTTON SOCKET 6 MM	M.AKS-DGM-SKT-002
23	50-300 °C BUTTON BUFFER	M.AKS-DGM-EMP-017
24	BUTTON	M.AKS-DGM-EMP-024
25	SLIDE SHEET	YSC-KNX.PG7-PN-0582
26	DRAWER	ARA-KNX.PG7-0001
27	TICKET	M.AKS-OZL-MTL-006

G SPARE PART LIST-EXPLODING DRAWING



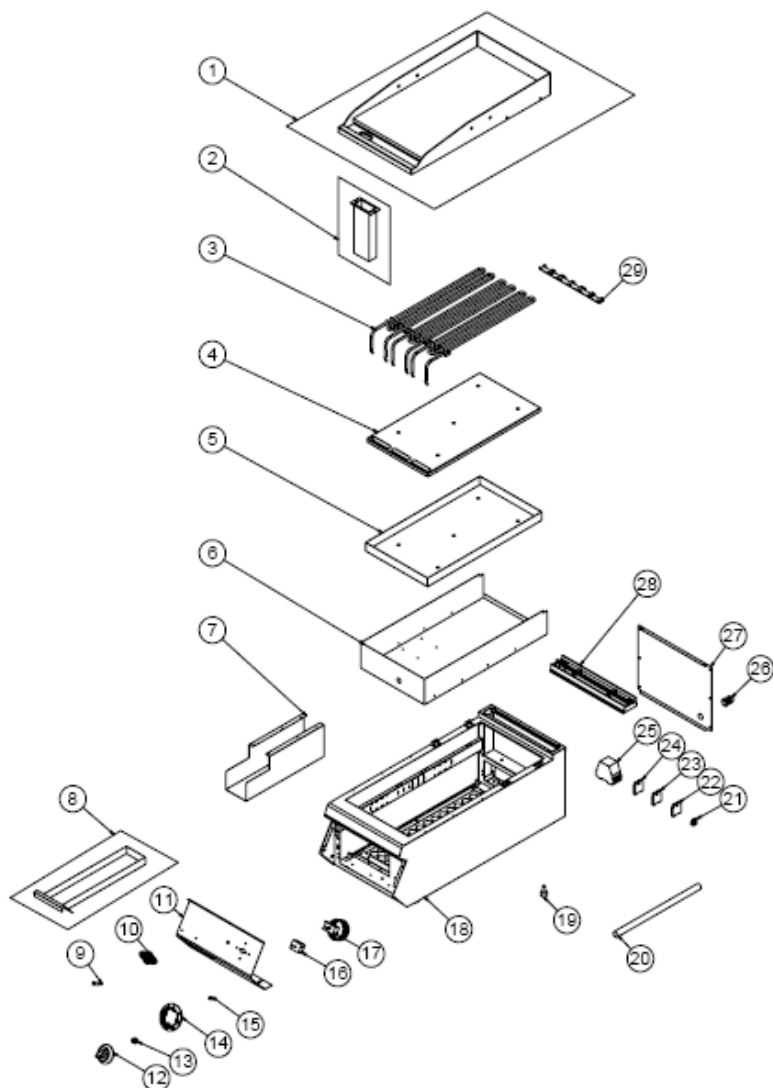
EMP.PLS.7IE030/PLS.7IE030-K/PLS.7IE031/PLS.7IE031-K/PLS.7IE032/PLS.7IE032-K

ELECTRIC GRILLS

G SPARE PART LIST-EXPLODING DRAWING

PRODUCT CODE : EMP.PLS.7IE030/PLS.7IE030-K/PLS.7IE031/PLS.7IE031-K/PLS.7IE032/PLS.7IE032-K		
NO	PRODUCT NAME	P.CODE
1	PLATINUM	ARA-KNX.PG7-0033
2	PROFILE	ARA-KNX.PG7-0002
3	230V 1400W RESISTANCE	M.ELK-RZS-BRU-IZG-012
4	RESISTANCE CONEXION SHEET	YSC-KNX.PG7-LZ-0999
5	INSULATION BOTTOM SHEET	YSC-KNX.PG7-LZ-1023
6	INSULATION TOP SHEET	YSC-KNX.PG7-LZ-1024
7	COMBUSTION SECTION	YSC-KNX.PG7-PN-0861
8	BACK SHEET METAL	YSC-KNX.PG7-LZ-0435
9	PG-16 CABLE FITTING	JP.M.ELK-RKR-PLS-001
10	40 CM X 7 CM CHIMNEY	JP.M.AKS-DKM-KZN-013
11	CONTACTOR 230V	JP.M.ELK-KNT-KNT-006
12	NO:2 25 MM TERMINAL	M.ELK-KLM-RKL-4*4-SRY
13	AVK 16 TERMINAL	JP.M.ELK-KLM-058
14	CABLE PIPE 450 MM	YBR-KNX.PG9-KS-0002
15	CHASSIS	-
16	M10*35 FOOT	JP.M.AKS-AYK-PLS-002
17	16A 400V THERMOSTAT	M.ELK-MEK-TRM1-005
18	360°C LIMITOR	JP.M.ELK-MEK-LMT-004
19	FRONT PANEL	YSC-KNX.PG7-LZ-1002
20	M4 FRAME SPRING	M.YAY-PG-004
21	SIGNAL LAMP	M.ELK-LMB-SNY-002
22	BUTTON SOCKET 6 MM	M.AKS-DGM-SKT-002
23	50-300 °C BUTTON BUFFER	M.AKS-DGM-EMP-017
24	BUTTON	M.AKS-DGM-EMP-024
25	SLIDE SHEET	YSC-KNX.PG7-PN-0582
26	DRAWER	ARA-KNX.PG7-0001
27	TICKET	M.AKS-OZL-MTL-006

G SPARE PART LIST-EXPLODING DRAWING



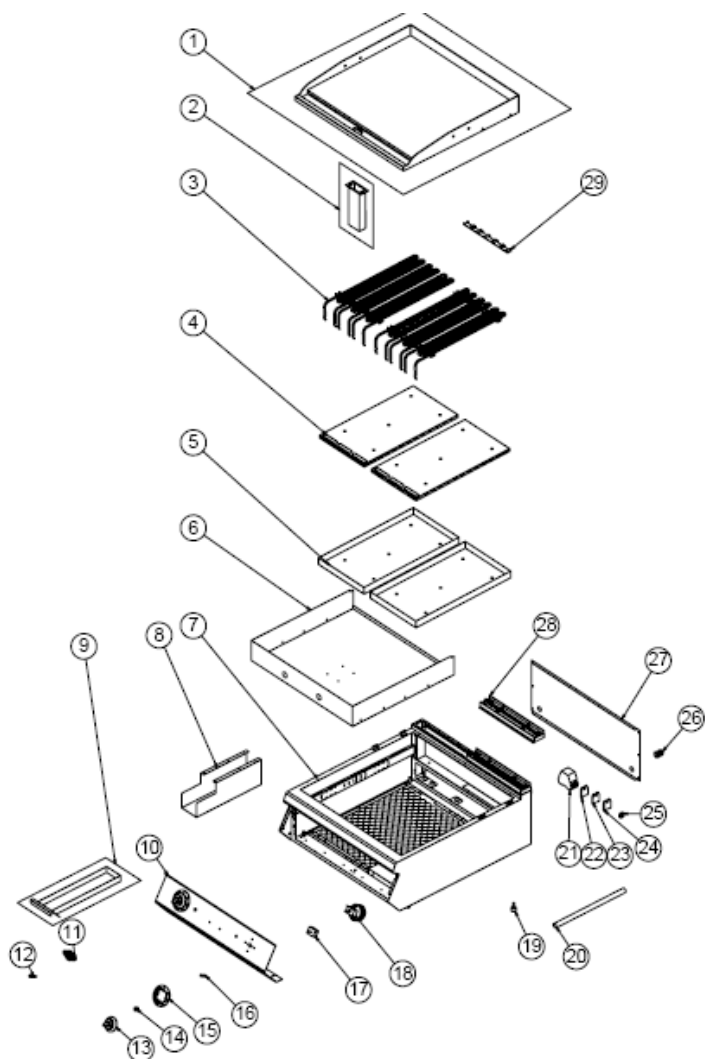
EMP.PLS.9IE010/PLS.9IE010-K/PLS.9IE011/PLS.9IE011-K

ELECTRIC GRILLS

G SPARE PART LIST-EXPLODING DRAWING

PRODUCT CODE : EMP.PLS.9IE010/PLS.9IE010-K/PLS.9IE011/PLS.9IE011-K		
NO	PRODUCT NAME	P.CODE
1	PLATINUM	ARA-KNX.PG9-0011
2	PROFILE	ARA-KNX.PG7-0002
3	230V 2000W RESISTANCE	M.ELK-RZS-BRU-IZG-014
4	INSULATION BOTTOM SHEET	YSC-KNX.PG9-PN-0071
5	INSULATION TOP SHEET	YSC-KNX.PG9-PN-0079
6	COMBUSTION SECTION	YSC-KNX.PG9-PN-0640
7	SLIDE SHEET	YSC-KNX.PG7-PN-0582
8	DRAWER	ARA-KNX.PG9-0010
9	SIGNAL LAMP	M.ELK-LMB-SNY-002
10	TICKET	M.AKS-OZL-MTL-006
11	FRONT PANEL	YSC-KNX.PG9-LZ-0753
12	BUTTON	M.AKS-DGM-EMP-024
13	BUTTON SOCKET 6 MM	M.AKS-DGM-SKT-002
14	50-300 °C BUTTON BUFFER	M.AKS-DGM-EMP-017
15	M4 FRAME SPRING	M.YAY-PG-004
16	360°C LIMITOR	JP.M.ELK-MEK-LMT-004
17	16A 400V THERMOSTAT	M.ELK-MEK-TRM1-005
18	CHASSIS	-
19	M10*35 FOOT	JP.M.AKS-AYK-PLS-002
20	CABLE PIPE 720 MM	YBR-KNX.PG9-KS-0004
21	NO:2 25 MM TERMINAL	M.ELK-KLM-RKL-4*4-SRY
22	AVK 16 TERMINAL	JP.M.ELK-KLM-058
23	TERMINAL	JP.M.ELK-KLM-059
24	16*16 MM TERMINAL	M.ELK-KLM-RKL-16*16-SR
25	CONTACTOR 230V	JP.M.ELK-KNT-KNT-006
26	PG-16 CABLE FITTING	JP.M.ELK-RKR-PLS-001
27	BACK COVER SHEET	JP.YSC-KNX.PG7-PN-0391
28	40 CM X 7 CM CHIMNEY	JP.M.AKS-DKM-KZN-013
29	RESISTANCE SUPPORT SHEET	YSC-KNX.PG9-LZ-0973

G SPARE PART LIST-EXPLODING DRAWING



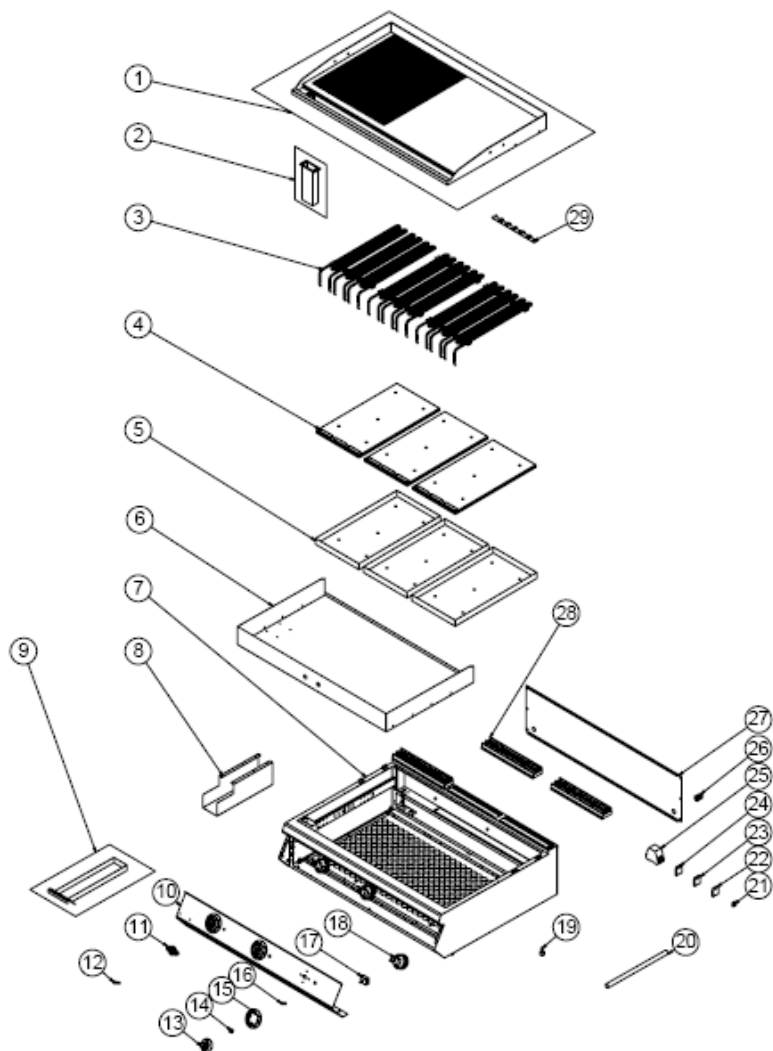
EMP.PLS.9IE020/PLS.9IE020-K/PLS.9IE021/PLS.9IE021-K/PLS.9IE022/PLS.9IE022-K

ELECTRIC GRILLS

G SPARE PART LIST-EXPLODING DRAWING

PRODUCT CODE : EMP.PLS.9IE020/PLS.9IE020-K/PLS.9IE021/PLS.9IE021-K/PLS.9IE022/PLS.9IE022-K		
NO	PRODUCT NAME	P.CODE
1	PLATINUM	ARA-KNX.PG9-0015
2	PROFILE	ARA-KNX.PG7-0002
3	230V 2000W RESISTANCE	M.ELK-RZS-BRU-IZG-014
4	INSULATION BOTTOM SHEET	YSC-KNX.PG9-PN-0071
5	INSULATION TOP SHEET	YSC-KNX.PG9-PN-0079
6	COMBUSTION SECTION	YSC-KNX.PG9-PN-0649
7	CHASSIS	-
8	SLIDE SHEET	YSC-KNX.PG7-PN-0582
9	DRAWER	ARA-KNX.PG9-0010
10	FRONT PANEL	YSC-KNX.PG9-LZ-0754
11	TICKET	M.AKS-OZL-MTL-006
12	SIGNAL LAMP	M.ELK-LMB-SNY-002
13	BUTTON	M.AKS-DGM-EMP-024
14	BUTTON SOCKET 6 MM	M.AKS-DGM-SKT-002
15	50-300 °C BUTTON BUFFER	M.AKS-DGM-EMP-017
16	M4 FRAME SPRING	M.YAY-PG-004
17	360°C LIMITOR	JP.M.ELK-MEK-LMT-004
18	16A 400V THERMOSTAT	M.ELK-MEK-TRM1-005
19	M10*35 FOOT	JP.M.AKS-AYK-PLS-002
20	CABLE PIPE 720 MM	YBR-KNX.PG9-KS-0004
21	CONTACTOR 230V	JP.M.ELK-KNT-KNT-006
22	AVK 16 TERMINAL	JP.M.ELK-KLM-058
23	TERMINAL	JP.M.ELK-KLM-059
24	16*16 MM TERMINAL	M.ELK-KLM-RKL-16*16-SR
25	NO:2 25 MM TERMINAL	M.ELK-KLM-RKL-4*4-SRY
26	PG-16 CABLE FITTING	JP.M.ELK-RKR-PLS-001
27	BACK SHEET METAL	YSC-KNX.PG7-PN-0398
28	40 CM X 7 CM CHIMNEY	JP.M.AKS-DKM-KZN-013
29	RESISTANCE SUPPORT SHEET	YSC-KNX.PG9-LZ-0973

G SPARE PART LIST-EXPLODING DRAWING



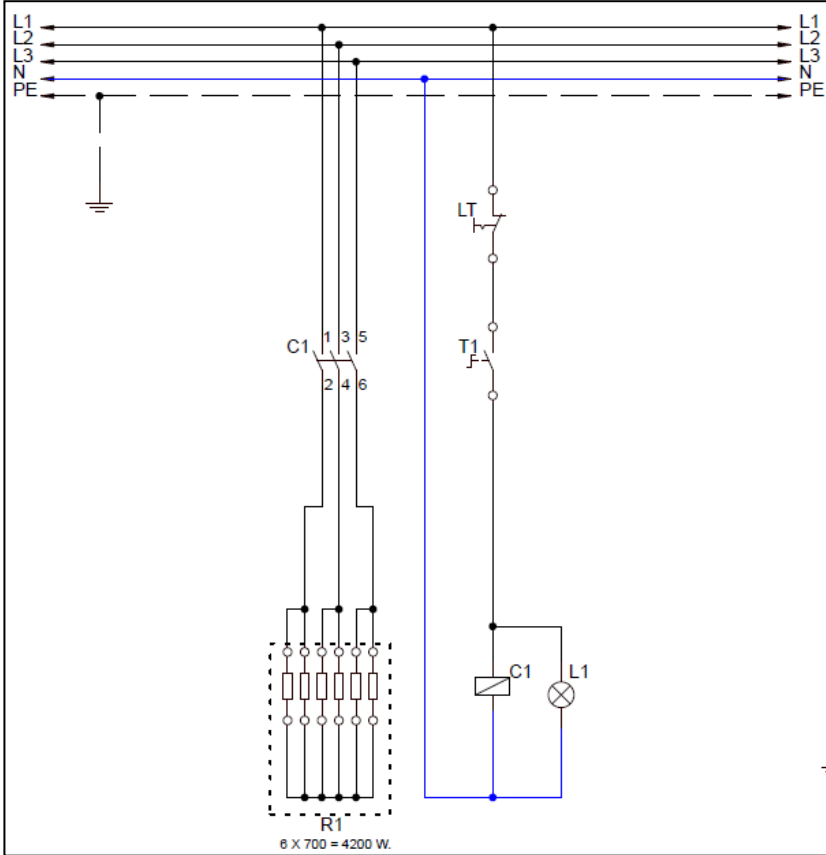
EMP.PLS.9IE030/PLS.9IE030-K/PLS.9IE031/PLS.9IE031-K/PLS.9IE032/PLS.9IE032-K

ELECTRIC GRILLS

G SPARE PART LIST-EXPLODING DRAWING

PRODUCT CODE : EMP.PLS.9IE030/PLS.9IE030-K/PLS.9IE031/PLS.9IE031-K/PLS.9IE032/PLS.9IE032-K		
NO	PRODUCT NAME	P.CODE
1	PLATINUM	ARA-KNX.PG9-0021
2	PROFILE	ARA-KNX.PG7-0002
3	230V 2000W RESISTANCE	M.ELK-RZS-BRU-IZG-014
4	INSULATION BOTTOM SHEET	YSC-KNX.PG9-PN-0071
5	INSULATION TOP SHEET	YSC-KNX.PG9-PN-0079
6	COMBUSTION SECTION	YSC-KNX.PG9-PN-0641
7	CHASSIS	-
8	SLIDE SHEET	YSC-KNX.PG7-PN-0582
9	DRAWER	ARA-KNX.PG9-0010
10	FRONT PANEL	YSC-KNX.PG9-LZ-0982
11	TICKET	M.AKS-OZL-MTL-006
12	SIGNAL LAMP	M.ELK-LMB-SNY-002
13	BUTTON	M.AKS-DGM-EMP-024
14	BUTTON SOCKET 6 MM	M.AKS-DGM-SKT-002
15	50-300 °C BUTTON BUFFER	M.AKS-DGM-EMP-017
16	M4 FRAME SPRING	M.YAY-PG-004
17	360°C LIMITOR	JP.M.ELK-MEK-LMT-004
18	16A 400V THERMOSTAT	M.ELK-MEK-TRM1-005
19	M10*35 FOOT	JP.M.AKS-AYK-PLS-002
20	CABLE PIPE 720 MM	YBR-KNX.PG9-KS-0004
21	NO:2 25 MM TERMINAL	M.ELK-KLM-RKL-4*4-SRY
22	AVK 16 TERMINAL	JP.M.ELK-KLM-058
23	TERMINAL	JP.M.ELK-KLM-059
24	16*16 MM TERMINAL	M.ELK-KLM-RKL-16*16-SR
25	CONTACTOR 230V	JP.M.ELK-KNT-KNT-006
26	PG-16 CABLE FITTING	JP.M.ELK-RKR-PLS-001
27	BACK SHEET METAL	YSC-KNX.PG7-LZ-0435
28	40 CM X 7 CM CHIMNEY	JP.M.AKS-DKM-KZN-013
29	RESISTANCE SUPPORT SHEET	YSC-KNX.PG9-LZ-0973

H ELECTRIC CIRCUIT SCHEMA

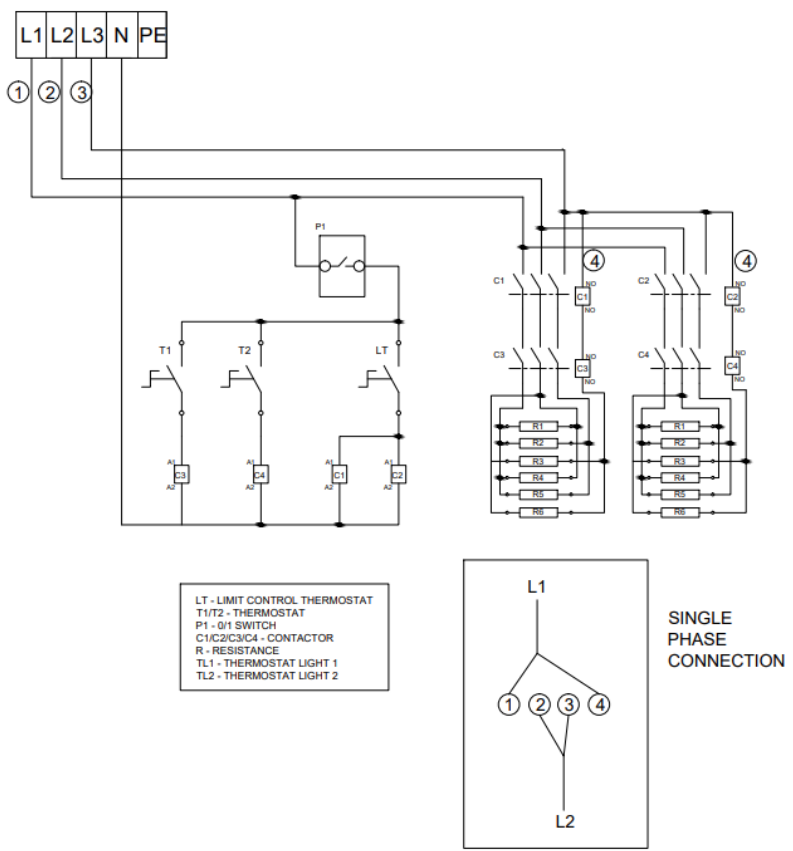


EMP.PLS.7IE010

T1	LT	C1	L1	R1
Thermostat (50-300°C)	Limit thermostat 360°	Contactur	Thermostat signal lamp	Resistance 600W 230V

ELECTRIC GRILLS

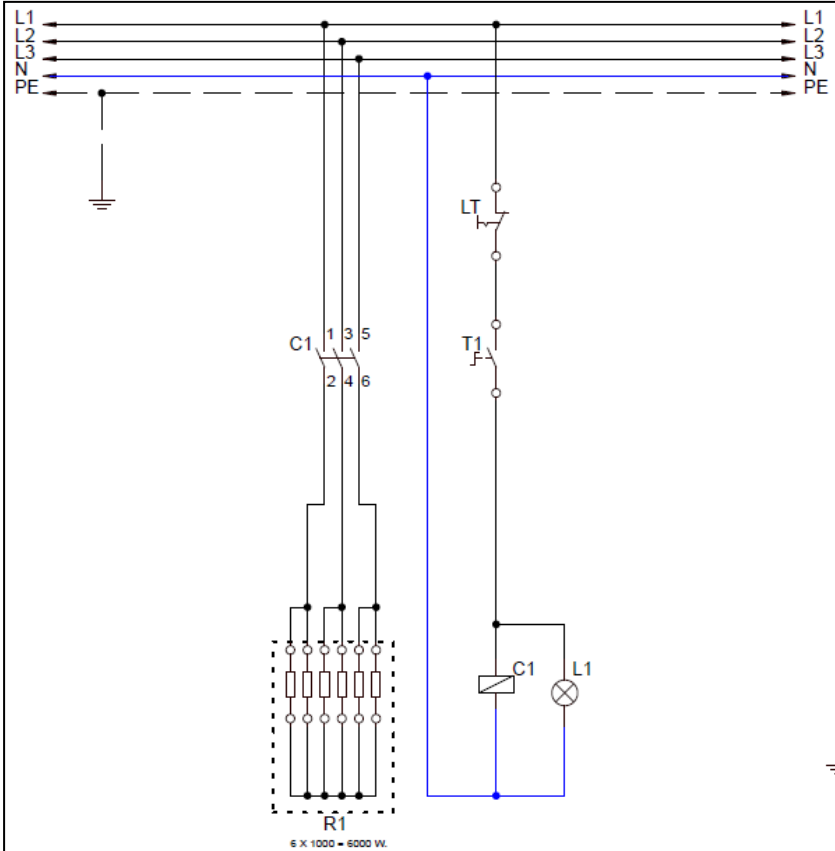
H ELECTRIC CIRCUIT SCHEMA



EMP.PLS.7IE020 - 7IE022

T1.T2	LT1-LT2	C1.C2	L1.L2	R1.R2
Thermostat (50-300°C)	Limit thermostat 360°	Contactor	Thermostat signal lamp	Resistance

H ELECTRIC CIRCUIT SCHEMA

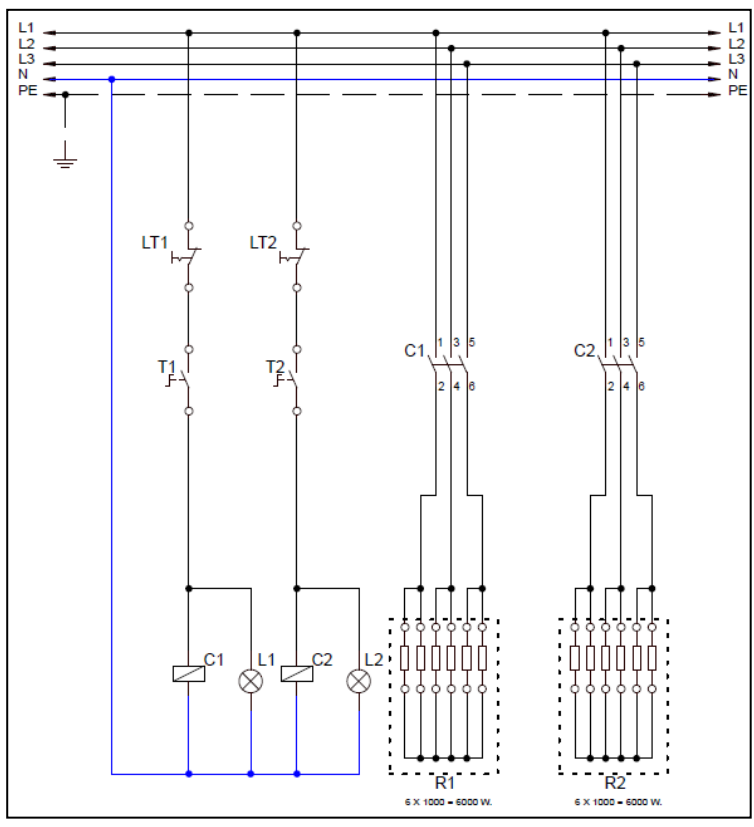


EMP.PLS.9IE010

T1	LT	C1	L1	R1
Thermostat (50-300°C)	Limit thermostat 360°	Contactor	Thermostat signal lamp	Resistance

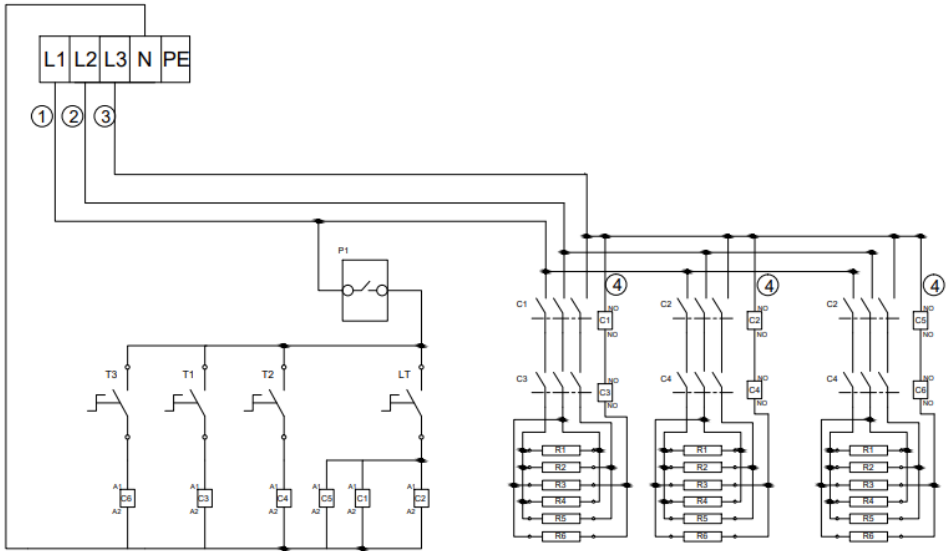
ELECTRIC GRILLS

H ELECTRIC CIRCUIT SCHEMA

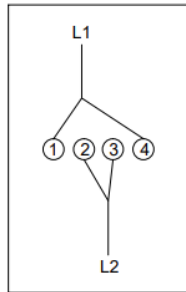


EMP.PLS.9IE020 - 9IE022

T1.T2	LT1-LT2	C1.C2	L1.L2	R1.R2
Thermostat (50-180°C)	Limit thermostat 360°	Contactore	Thermostat signal lamp	Resistance



LT - LIMIT CONTROL THERMOSTAT
 T1/T2 - THERMOSTAT
 P1 - 0/1 SWITCH
 C1/C2/C3/C4 - CONTACTOR
 R - RESISTANCE
 TL1 - THERMOSTAT LIGHT 1
 TL2 - THERMOSTAT LIGHT 2

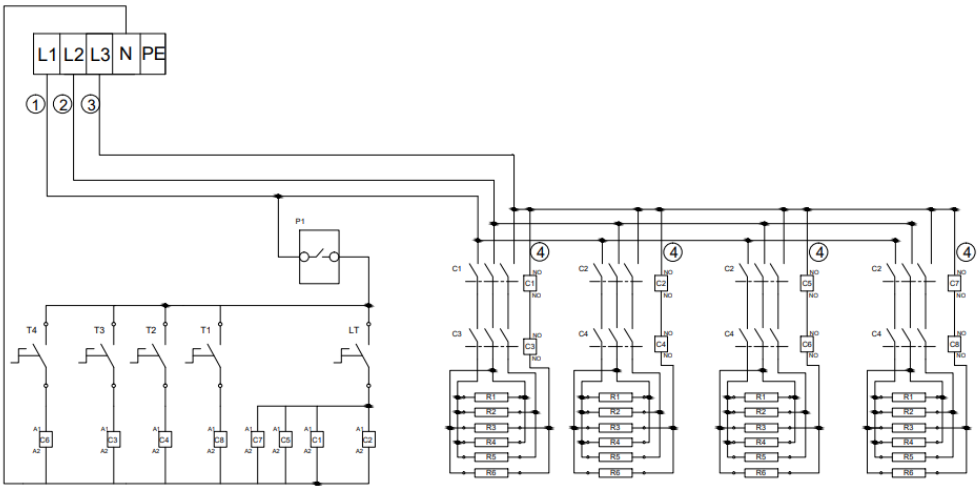


SINGLE
 PHASE
 CONNECTION

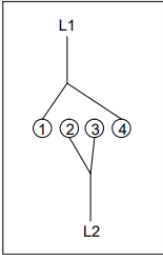
7IE030

ELECTRIC GRILLS

71E040



LT - LIMIT CONTROL THERMOSTAT
 T1/T2 - THERMOSTAT
 P1 - 0/1 SWITCH
 C1/C2/C3/C4 - CONTACTOR
 R - RESISTANCE
 TL1 - THERMOSTAT LIGHT 1
 TL2 - THERMOSTAT LIGHT 2



SINGLE
PHASE
CONNECTION