



PLUS GAS GRILLS

CONTENTS

A	GENERAL INFORMATION.....	Page 2
A1	PRODUCT DESCRIPTION	Page 3
A2	TECHNICAL INFORMATION	Page 3
A3	TRANSPORTATION	Page 4
A4	UNPACKING	Page 4
B	INSTALLATION	Page 4
C	SAFETY INSTRUCTIONS.....	Page 5
D	OPERATION	Page 6
E	CLEANING & MAINTENANCE.....	Page 7
F	TROUBLESHOOTING	Page 8
G	INJECTOR CHANGE AND GAS SETTING	Page 9
H	GAS CONNECTION IMAGES.....	Page 10
I	SPARE PART LIST- EXPLODING DRAWING.....	Page 12

A GENERAL INFORMATION

Before installing the appliance, read operation and maintenance instructions carefully. Wrong installation and part changing may damage the product or may cause injury on people. These are not in our company's responsibility to damage the appliance intentionally, negligence, detriments because of disobeying instructions and regulations, wrong connections. Unauthorized intervention to appliance invalidates the warranty.

1. This instruction manual should be kept in a safe place for future reference.
2. **Installation should be made in accordance with ordinances and security rules of that country by a qualified service personnel.**
3. This appliance has to be used by trained person.
4. Please turn off the appliance immediately in the event of malfunction or failure. The appliance should be repaired only by authorized service personnel. Please demand original spare part.

PLUS GAS GRILLS

A1 PRODUCT DESCRIPTION

*The Professional Gas Grills, that provides high efficiency has been designed to be used in industrial kitchens.

Product Code	Model	Dimensions (mm)	Weight (kg)	Packaging Dimensions (mm)
EMP.6IG010	Grill Smooth Plate	400x635x285	41	480x760x600
EMP.6IG011	Grill Ribbed Plate	400x635x285	41	480x760x600
EMP.6IG020	Grill Smooth Plate	600x635x285	52	700x760x600
EMP.6IG021	Grill Ribbed Plate	600x635x285	52	700x760x600
EMP.6IG022	Grill Smooth+Ribbed Plate	600x635x285	52	700x760x600
EMP.6IG030	Grill Smooth Plate	900x635x285	84	1000x760x600
EMP.6IG031	Grill Ribbed Plate	900x635x285	84	1000x760x600
EMP.6IG032	Grill Smooth+Ribbed Plate	900x635x285	84	1000x760x600
EMP.PLS.7IG010	Grill Smooth Plate	400x730x300	51	480X800X620
EMP.PLS.7IG011	Grill Ribbed Plate	400x730x300	51	480X800X620
EMP.PLS.7IG020	Grill Smooth Plate	800x730x300	90	900X850X620
EMP.PLS.7IG021	Grill Ribbed Plate	800x730x300	90	900X850X620
EMP.PLS.7IG022	Grill Smooth+Ribbed Plate	800x730x300	90	900X850X620
EMP.PLS.7IG030	Grill Smooth Plate	1200x730x300	133	1280x860x620
EMP.PLS.7IG031	Grill Ribbed Plate	1200x730x300	133	1280x860x620
EMP.PLS.7IG032	Grill Smooth+Ribbed Plate	1200x730x300	133	1280x860x620
EMP.PLS.9IG010	Grill Smooth Plate	400x900x300	62	480x1000x620
EMP.PLS.9IG011	Grill Ribbed Plate	400x900x300	62	480x1000x620
EMP.PLS.9IG020	Grill Smooth Plate	800x900x300	106	900x1000x620
EMP.PLS.9IG021	Grill Ribbed Plate	800x900x300	106	900x1000x620
EMP.PLS.9IG022	Grill Smooth+Ribbed Plate	800x900x300	106	900x1000x620
EMP.PLS.9IG030	Grill Smooth Plate	1200x900x300	106	1280x1000x620
EMP.PLS.9IG031	Grill Ribbed Plate	1200x900x300	106	1280x1000x620
EMP.PLS.9IG032	Grill Smooth+Ribbed Plate	1200x900x300	106	1280x1000x620

A2 TECHNICAL INFORMATION

Product Code	Power	Gas Consumption m ³ /h (NG)	Power	Gas Consumption Kg/h (LPG)
	NG (KW)		LPG (KW)	
EMP.6IG010	6,50	0,68	5,5	0,43
EMP.6IG011	6,50	0,68	5,5	0,43
EMP.6IG020	13,00	1,37	11	0,86
EMP.6IG021	13,00	1,37	11	0,86
EMP.6IG022	13,00	1,37	11	0,86
EMP.6IG030	19,50	2,06	16,5	1,29
EMP.6IG031	19,50	2,06	16,50	1,29
EMP.6IG032	19,50	2,06	16,5	1,29
EMP.PLS.7IG010	7,10	0,75	6,6	0,52
EMP.PLS.7IG011	7,10	0,75	6,60	0,52
EMP.PLS.7IG020	14,20	1,50	13,2	1,04
EMP.PLS.7IG021	14,20	1,50	13,20	1,04
EMP.PLS.7IG022	14,20	1,50	13,2	1,04
EMP.PLS.7IG030	21,30	2,15	19,8	1,56
EMP.PLS.7IG031	21,30	2,15	19,8	1,56
EMP.PLS.7IG032	21,30	2,15	19,8	1,56
EMP.PLS.9IG010	8,30	0,87	7,1	0,55
EMP.PLS.9IG011	8,30	0,87	7,10	0,55
EMP.PLS.9IG020	16,60	1,75	14,2	1,11
EMP.PLS.9IG021	16,60	1,75	14,20	1,11
EMP.PLS.9IG022	16,60	1,75	14,2	1,11
EMP.PLS.9IG030	24,90	2,63	21,3	1,66
EMP.PLS.9IG031	24,90	2,63	21,3	1,66
EMP.PLS.9IG032	24,90	2,63	21,3	1,66



PLUS GAS GRILLS

A3 TRANSPORTATION

* This appliance can not be moved by hand from area to area. Therefore Use a hauling truck (forklift or pallet jack) to move the appliance. (The lifting arms of the of forklift or pallet jack must reach up to more than half part of t appliance underneath.)

A4 UNPACKING

*Please unpack the package according to the security codes and ordinances of current country and get rid from the pack.Parts which contacts with food are produced by stainless steel.All plastic parts are marked by material's symbol.

*Please check that all the parts of appliance had come completely and if they are damaged or not during the shipping.

B MONTAJ

*Please place the product to straight and sturdy ground,please take necessary steps against possibility of overturn.

*Technician who will serve for installation and service for the appliance must be professional on this subject and must have installation and service licenses by the company.

*Connection to Gas Fitment or any amendment process must be done by authorized person.

*The area where the appliance is must have enough ventilation and vent-hole.

*The appliance must be connected correctly according to local and national gas standards of your country.










*The appliance gas entrances are indicated with "G" label on the body.

*Connection to gas fitment must be done with suitable diameter metal flex pipe and spheric valve.The spheric valve must be immobilized to a place that is far away from heat and accessible during the danger.After gas entrance connection done,gas leakages must be checked.

*According to the datas on appliance information plate,gas and pressure must be adjusted.If the gas type that is adjusted is not the suitable with gas type that is at installation place,apply the instructions that is about adjustment of different gas type. (**Event :G**)

*If the location where gas grills placed is covered with nonflammable heat insulation material,the distance between them must be 5 cm.Otherwise it should be at least 20 cm.The appliance shouldn't be operated under chimney hood.

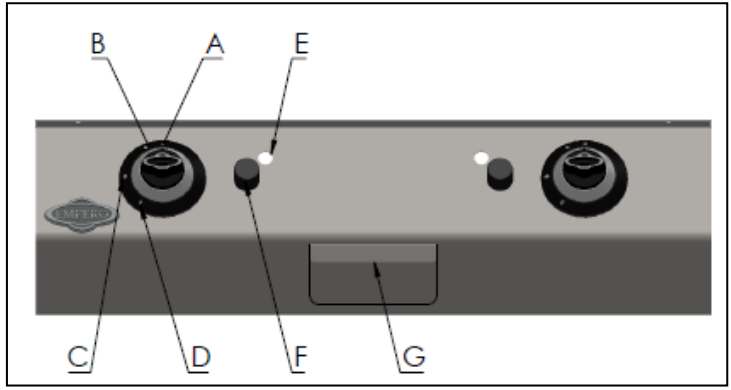
C SAFETY INSTRUCTIONS

-  *Do not use the appliance in insufficient lighted place.
-  *Do not touch the moving attachments while the appliance operates.
-  *Do not install the appliance in the presence of flammable or explosive materials.
-  *Do not operate the appliance when the machine is empty.
-  *Do not load so less or more than appliance's capacity.
-  *Do not attempt to use the appliance without suitable protective equipments.
-  *Because of any reason if there is a fire or flame flare where the appliance is used, turn off all gas valves and electric contactor switch quickly and use fire extinguisher. Never use water to extinguish the fire.
-  *If there is gas leakage where the appliance is, do not fire absolutely and do not use electric.
-  *Definitely do not allow to check the sealing with flame.

PLUS GAS GRILLS

D OPERATION

*Control Panel;



- A** : Off Position
- B** : Lighter Position
- C** : Full Flame
- D** : Half Flame
- E** : Spyhole
- F** : Lighter
- G** : Oil Drawer

*Operating;

- According to type of use,make gas entrance connection from behind the grill.Because the machine is operated with LPG and NG.
- Turn on the gas valves.
- Press the button at Pilot position before firing to remove the air from gas fitment during first operation.
- Press the gas grill button and provide pilot position.Fire the pilot with suitable lighter.
- In order to heat thermocouple's end keep pressing to button after the pilot is fired.
- For desired temperature switch to half or full flame position.
- Operate the grill when it is empty to remove protective oil and place the foods that will be cooked on the grill.
- Be sure that the oil flows to oil drawer.
- After the operation is completed,switch the gas valve to (0) position.

E CLEANING & MAINTENANCE

- **CLEANING AND MAINTENANCE AFTER EVERY USE**
 - Turn off the gas connection before cleaning.
 - Clean the outer surface of the appliance with a wet cloth and chrome shiner.
 - Do not use abrasive cleaning chemicals as these can leave harmful residues.
 - Do not wash the appliance with pressure water.
 - Do not clean the appliance with a material that may damage chrome material.
 - Clean the grills with suitable spatula.

- **PERIODIC CLEANING AND MAINTENANCE**
 - Maintenance should be done by qualified person.
 - These parts ; Gas storage,pilot,thermocouples,taps,burner,lighter and spark plug cable are not maintained so they need to be changed when they have error.
 - Check the gas connection hoses in periodic time.If there is slit,hole..etc,change the hoses.
 - Ventilate the area where the device is in periodic times.



PLUS GAS GRILLS

F TROUBLESHOOTING

THE APPLIANCE DOESN'T OPERATE	<ol style="list-style-type: none"> 1. Check if the gas connection is done or not. 2. If there is no gas entrance to pilot,the appliance is not operated. 3. Check if the injector holes are opened or not. 4. If the hoses that have gas entrance lose gas due to slit,hole.etc.,the appliance is not operated.
--------------------------------------	---

THE APPLIANCE DOESN'T COOK WELL	<ol style="list-style-type: none"> 1. Check if it is operated at suitable gas setting or not.
--	--

THE APPLIANCE STOPPED	<ol style="list-style-type: none"> 1. Gas flow is stopped automatically when the flame is off due to having gas tap that has safety valve.In this situation the appliance is not operated. 2. When there is gas leakage,if there is solenoid gas stopper alarm,gas flow is stopped and the appliance is not operated.Ventilate the area through the agency of vent-hole.
------------------------------	--

- If cooking at gas grills is not done at suitable quality
- If any function of security doesn't work
 - Do not use the appliance.

***If these problems are still going on,contact with our authorized services.**

G INJECTOR CHANGE AND GAS SETTING
GAS GRILL BURNER - INJECTOR CHANGE CHART

NG / LPG		G20	G25	G30	G31
				30/50 mbar	30/50 mbar
EMP.6IG010	∅ mm	∅ 1,90	∅ 1,90	∅ 1,20	∅ 1,20
	X	1x	1x	1x	1x
EMP.6IG020	∅ mm	∅ 1,90	∅ 1,90	∅ 1,20	∅ 1,20
	X	2x	2x	2x	2x
EMP.6IG030	∅ mm	∅ 1,90	∅ 1,90	∅ 1,20	∅ 1,20
	X	3x	3x	3x	3x
EMP.PLS.7IG010	∅ mm	∅ 2,20	∅ 2,20	∅ 1,30	∅ 1,30
	X	1x	1x	1x	1x
EMP.PLS.7IG020	∅ mm	∅ 2,20	∅ 2,20	∅ 1,30	∅ 1,30
	X	2x	2x	2x	2x
EMP.PLS.7IG030	∅ mm	∅ 2,20	∅ 2,20	∅ 1,30	∅ 1,30
	X	3x	3x	3x	3x
EMP.PLS.9IG010	∅ mm	∅ 2,40	∅ 2,40	∅ 1,60	∅ 1,60
	X	1x	1x	1x	1x
EMP.PLS.9IG020	∅ mm	∅ 2,40	∅ 2,40	∅ 1,60	∅ 1,60
	X	2x	2x	2x	2x
EMP.PLS.9IG030	∅ mm	∅ 2,40	∅ 2,40	∅ 1,60	∅ 1,60
	X	3x	3x	3x	3x

Change of Burner Injector;

1. Rip off the injector at the entrance of burner with a suitable tool.
2. Change A injector by paying attention to the datas at chart with suitable injector. (Image 1)
3. Adjust the burner entrance setting (F) by loosening 'B' bolt and moving the valve to forward-back. (Image 2)
4. Change C injector by paying attention to the datas at chart with suitable injector. For this it is enough to take off 'D' fitting and pull the gas pipe to down. (Image 3)

PLUS GAS GRILLS

Setting of Half Flame;

1. Remove the tap button and set by turning tap half flame screw (K) with suitable screwdriver.(Image 4) Turn it to left for transformation from LPG to N.G,turn it right for transformation from N.G to LPG.
2. After this process,operate the appliance and set it not to be deflated during transition from full flame to half flame

H GAS CONNECTION IMAGES

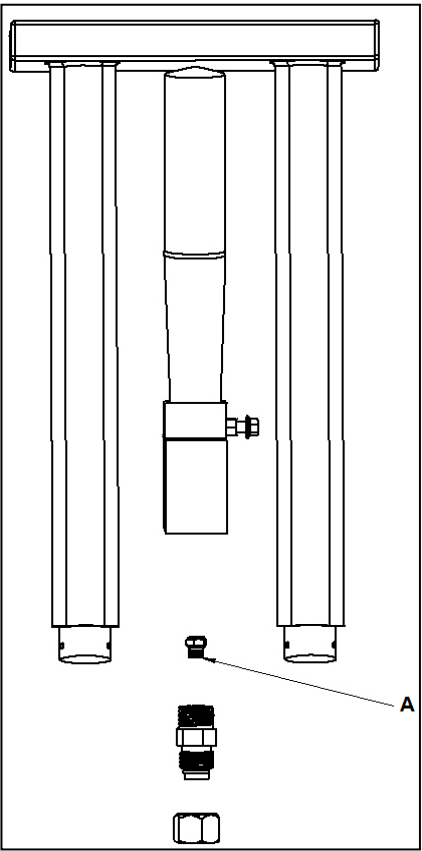


Image-1

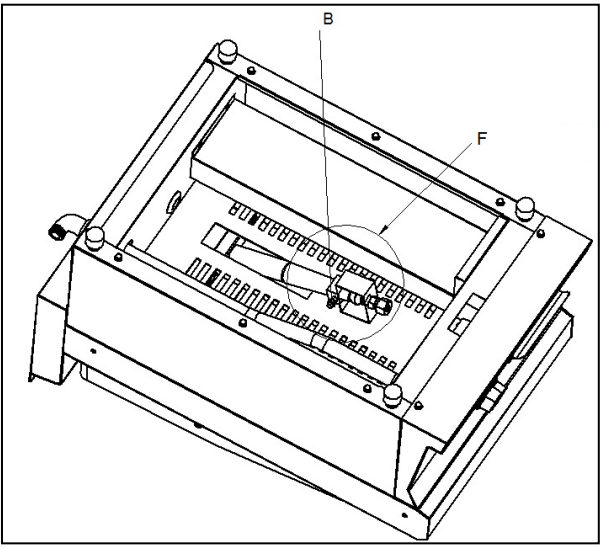


Image-2

H GAS CONNECTION IMAGES

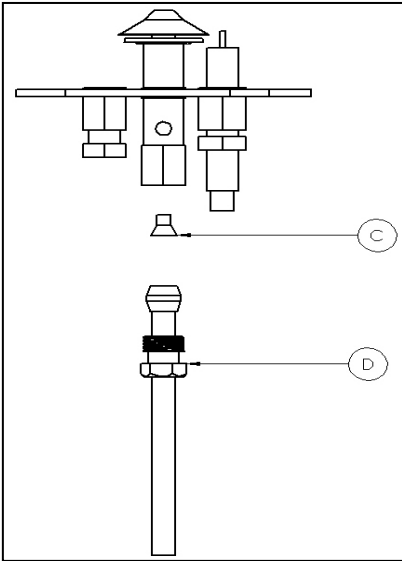


Image-3

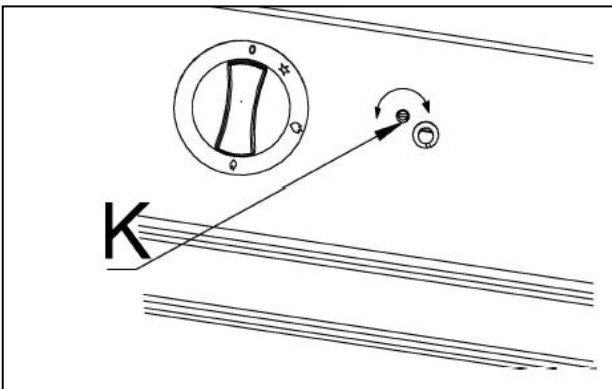
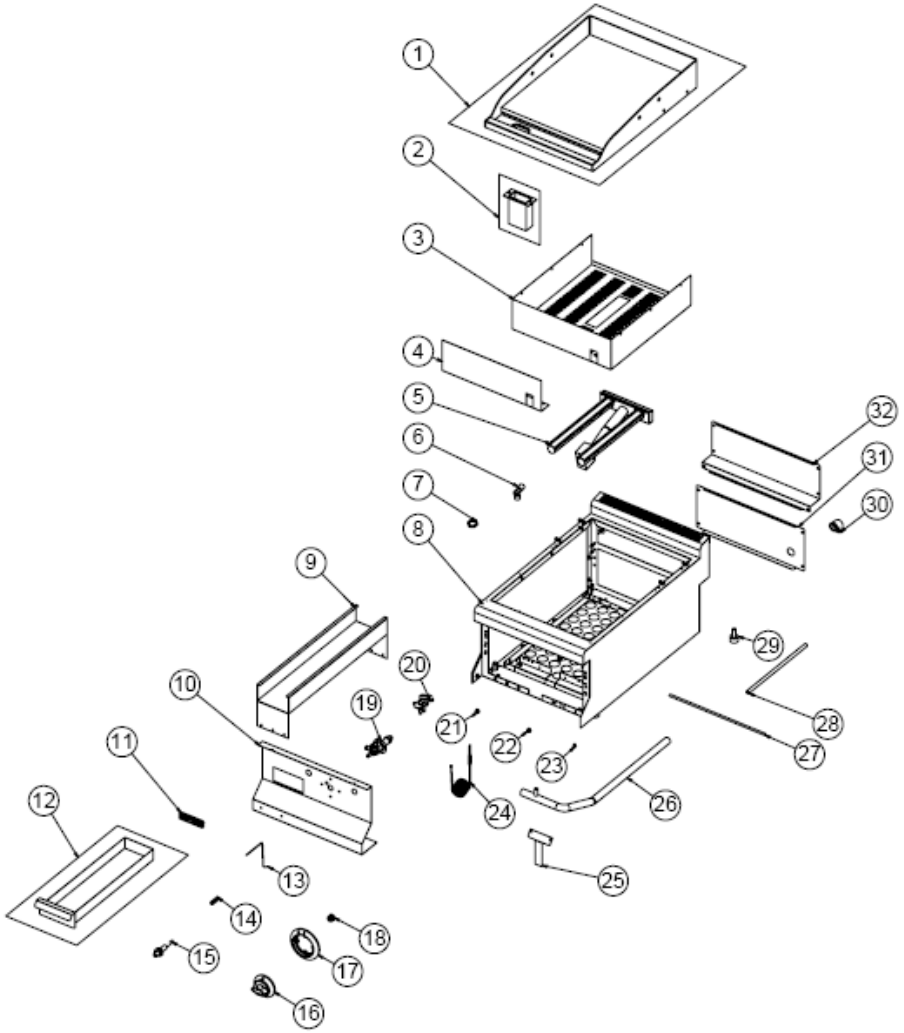


Image-4

PLUS GAS GRILLS

I SPARE PART LIST-EXPLODING DRAWING



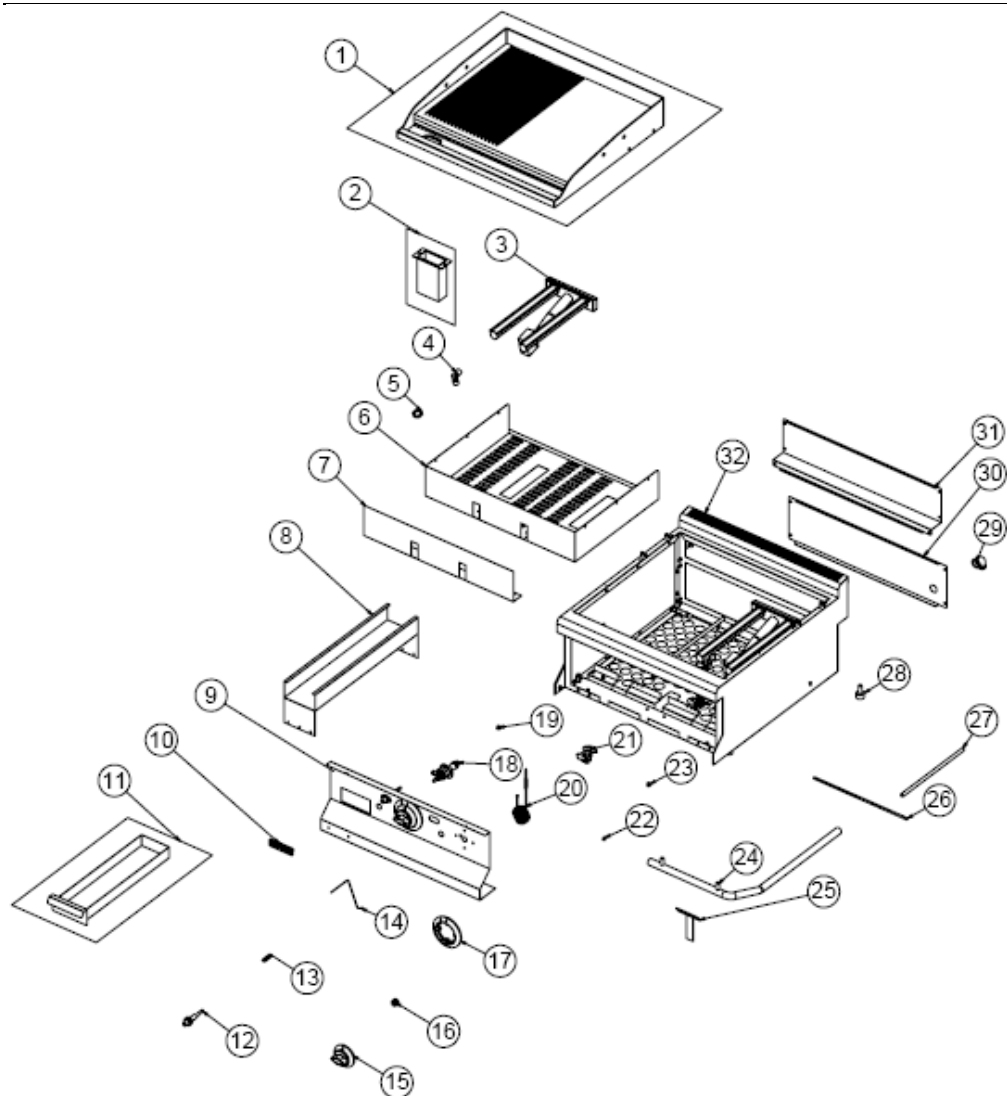
EMP.6IG010

I SPARE PART LIST-EXPLODING DRAWING
PRODUCT CODE : EMP.6IG010

NO	PRODUCT NAME	P.CODE
1	PLATINUM	ARA-KNX.SNC-0003
2	DISCHARGE PROFILE	ARA-KNX.SNC-0002
3	BURNING SECTION SHEET	YSC-KNX.SNC-PN-0127
4	BURNING SECTION INSULATION FRONT SHEET	YSC-KNX.SNC-PN-0029
5	CHROME BURNER 180*320 MM	M.GAZ-BRL-SMC-004
6	3/8*1/4 BURNER INLET	M.GAZ-TES-SRI-011
7	NUT	M.TRN-KNX-PG7-004
8	CHASSIS	-
9	OIL SLIDE SHEET	YSC-KNX.SNC-PN-0120
10	FRONT PANEL	YSC-KNX.SNC-LZ-0158
11	TICKET	JP.M.AKS-OZL-MTL-001
12	DRAWER	ARA-KNX.SNC-0001
13	CABLE 500MM	M.GAZ-CKM-KBL-004
14	M4 FRAME SPRING	M.YAY-PG-004
15	PIOZE LIGHTER Ø:18	M.GAZ-CKM-PIEZ-001
16	BUTTON	M.AKS-DGM-EMP-024
17	BUTTON BUFFER	M.AKS-DGM-EMP-016
18	BUTTON SOCKET 8 MM	M.AKS-DGM-SKT-001
19	GAS VALVE M8 THREADED	M.GAZ-VNA-ECA-002
20	TWO FALSE PILOT GROUPS	M.GAZ-PLT-PLC-002
21	INJECTOR M6*0.75 Ø1.20 MM	M.GAZ-ENJ-NG-002
22	INJECTOR M6*0.75 Ø1.90 MM	M.GAZ-ENJ-NG-003
23	PILOT 0.25 SHORT LPG INJECTOR	M.GAZ-ENJ-PLT-001
24	M8*1200 THERMOELEMENT NO:18	M.GAZ-TRL-003
25	GAS PIPE CONNECTION SHEET	YSC-KNX.SNC-PN-0188
26	GAS TANK	M.GAZ-DPO-SNC-008
27	FLEXIABLE GAS PIPEØ10 MM 40 CM 3/8	M.GAZ-TES-SPR-014
28	FLEXIABLE GAS PIPEØ 6 MM 35 CM	M.GAZ-TES-SPR-024
29	M10*35 FOOT	JP.M.AKS-AYK-PLS-002
30	BRACKET	JP.M.GAZ-TES-GLV-002
31	REAR BOTTOM SHEET	YSC-KNX.SNC-PN-0106
32	REAR TOP SHEET	YSC-KNX.SNC-PN-0105

PLUS GAS GRILLS

I SPARE PART LIST-EXPLODING DRAWING



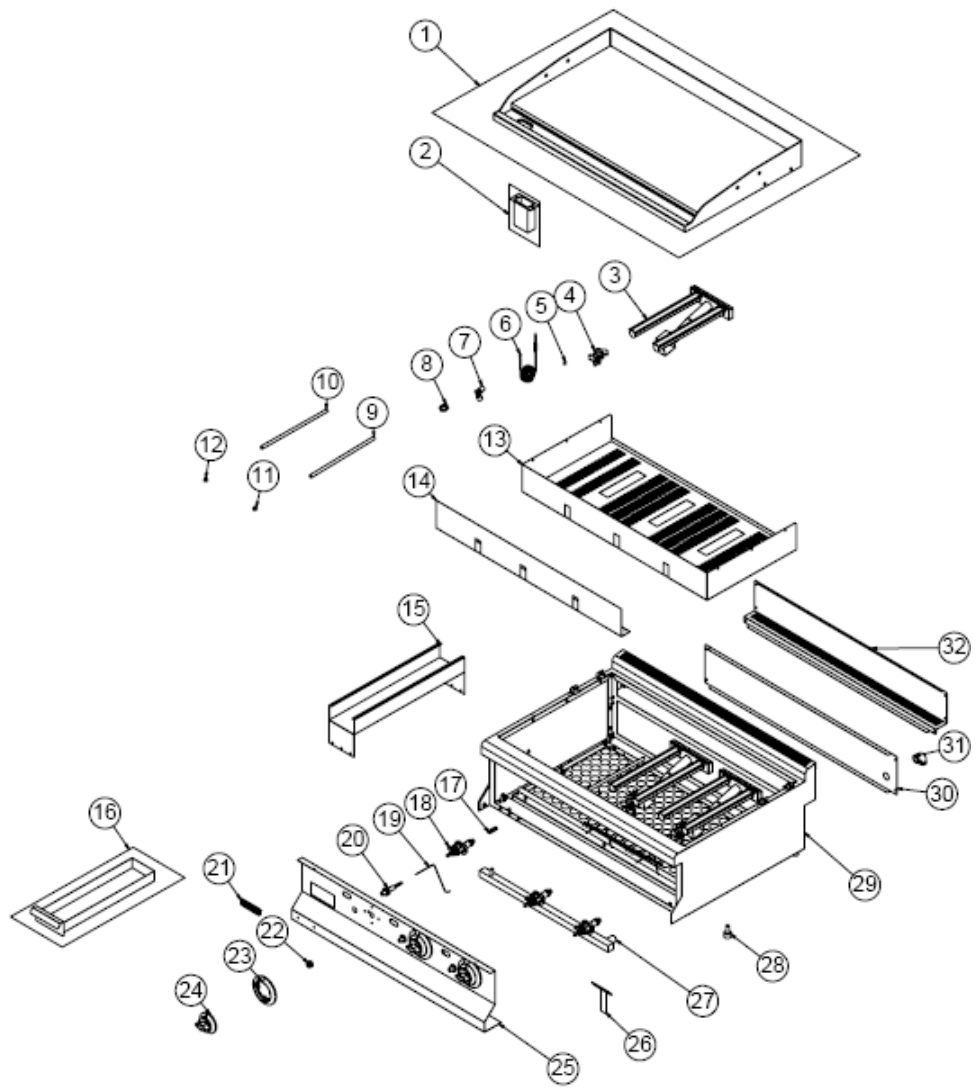
EMP.61G020

I SPARE PART LIST-EXPLODING DRAWING

PRODUCT CODE: EMP.6IG020		
NO	PRODUCT NAME	P.CODE
1	PLATINUM	ARA-KNX.SNC-0007
2	DISCHARGE PROFILE	ARA-KNX.SNC-0002
3	CHROME BURNER 180*320 MM	M.GAZ-BRL-SMC-004
4	3/8*1/4 BURNER INLET	M.GAZ-TES-SRI-011
5	NUT	M.TRN-KNX-PG7-004
6	BURNING SECTION SHEET	YSC-KNX.SNC-PN-0126
7	BURNING SECTION INSULATION FRONT SHEET	YSC-KNX.SNC-PN-0030
8	OIL SLIDE SHEET	YSC-KNX.SNC-PN-0120
9	FRONT PANEL	YSC-KNX.SNC-LZ-0159
10	TICKET	JP.M.AKS-OZL-MTL-001
11	DRAWER	ARA-KNX.SNC-0001
12	PIOZE LIGHTER Ø:18	M.GAZ-CKM-PIEZ-001
13	M4 FRAME SPRING	M.YAY-PG-004
14	CABLE 500MM	M.GAZ-CKM-KBL-004
15	BUTTON	M.AKS-DGM-EMP-024
16	BUTTON SOCKET 8 MM	M.AKS-DGM-SKT-001
17	BUTTON BUFFER	M.AKS-DGM-EMP-016
18	GAS VALVE M8 THREADED	M.GAZ-VNA-ECA-002
19	INJECTOR M6*0.75 Ø1.20 MM	M.GAZ-ENJ-NG-002
20	M8*1200 THERMOELEMENT NO:18	M.GAZ-TRL-003
21	TWO FALSE PILOT GROUPS	M.GAZ-PLT-PLC-002
22	PILOT 0.25 SHORT LPG INJECTOR	M.GAZ-ENJ-PLT-001
23	INJECTOR M6*0.75 Ø1.90 MM	M.GAZ-ENJ-NG-003
24	ANGELED PIPE	M.GAZ-DPO-SNC-009
25	GAS PIPE CONNECTION SHEET	YSC-KNX.SNC-PN-0188
26	FLEXIABLE GAS PIPEØ10 MM 40 CM 3/8	M.GAZ-TES-SPR-014
27	FLEXIABLE GAS PIPEØ 6 MM 35 CM	M.GAZ-TES-SPR-024
28	M10*35 FOOT	JP.M.AKS-AYK-PLS-002
29	BRACKET	JP.M.GAZ-TES-GLV-002
30	REAR BOTTOM SHEET	YSC-KNX.SNC-PN-0111
31	REAR TOP SHEET	YSC-KNX.SNC-PN-0110
32	CHASSIS	-

PLUS GAS GRILLS

I SPARE PART LIST-EXPLODING DRAWING



EMP.61G030

I SPARE PART LIST-EXPLODING DRAWING

PRODUCT CODE: EMP.6IG030		
NO	PRODUCT NAME	P.CODE
1	PLATINUM	ARA-KNX.SNC-0013
2	DISCHARGE PROFILE	ARA-KNX.SNC-0002
3	CHROME BURNER 180*320 MM	M.GAZ-BRL-SMC-004
4	TWO FALSE PILOT GROUPS	M.GAZ-PLT-PLC-002
5	PILOT 0.25 SHORT LPG INJECTOR	M.GAZ-ENJ-PLT-001
6	M8*1200 THERMOELEMENT NO:18	M.GAZ-TRL-003
7	3/8*1/4 BURNER INLET	M.GAZ-TES-SRI-011
8	NUT	M.TRN-KNX-PG7-004
9	FLEXIABLE GAS PIPEØ10 MM 40 CM 3/8	M.GAZ-TES-SPR-014
10	FLEXIABLE GAS PIPEØ 6 MM 35 CM	M.GAZ-TES-SPR-024
11	INJECTOR M6*0.75 Ø1.20 MM	M.GAZ-ENJ-NG-002
12	INJECTOR M6*0.75 Ø1.90 MM	M.GAZ-ENJ-NG-003
13	BURNING SECTION SHEET	YSC-KNX.SNC-PN-0128
14	BURNING SECTION INSULATION FRONT SHEET	YSC-KNX.SNC-PN-0033
15	OIL SLIDE SHEET	YSC-KNX.SNC-PN-0120
16	DRAWER	ARA-KNX.SNC-0001
17	M4 FRAME SPRING	M.YAY-PG-004
18	GAS VALVE M8 THREADED	M.GAZ-VNA-ECA-002
19	CABLE 500MM	M.GAZ-CKM-KBL-004
20	PIOZE LIGHTER Ø:18	M.GAZ-CKM-PIEZ-001
21	TICKET	JP.M.AKS-OZL-MTL-001
22	BUTTON SOCKET 8 MM	M.AKS-DGM-SKT-001
23	BUTTON BUFFER	M.AKS-DGM-EMP-016
24	BUTTON	M.AKS-DGM-EMP-024
25	FRONT PANEL	YSC-KNX.SNC-LZ-0160
26	GAS PIPE CONNECTION SHEET	YSC-KNX.SNC-PN-0188
27	GAS TANK	M.GAZ-DPO-SNC-010
28	M10*35 FOOT	JP.M.AKS-AYK-PLS-002
29	CHASSIS	-
30	REAR BOTTOM SHEET	YSC-KNX.SNC-PN-0122
31	BRACKET	JP.M.GAZ-TES-GLV-002
32	REAR TOP SHEET	YSC-KNX.SNC-PN-0121

PLUS GAS GRILLS

I SPARE PART LIST-EXPLODING DRAWING

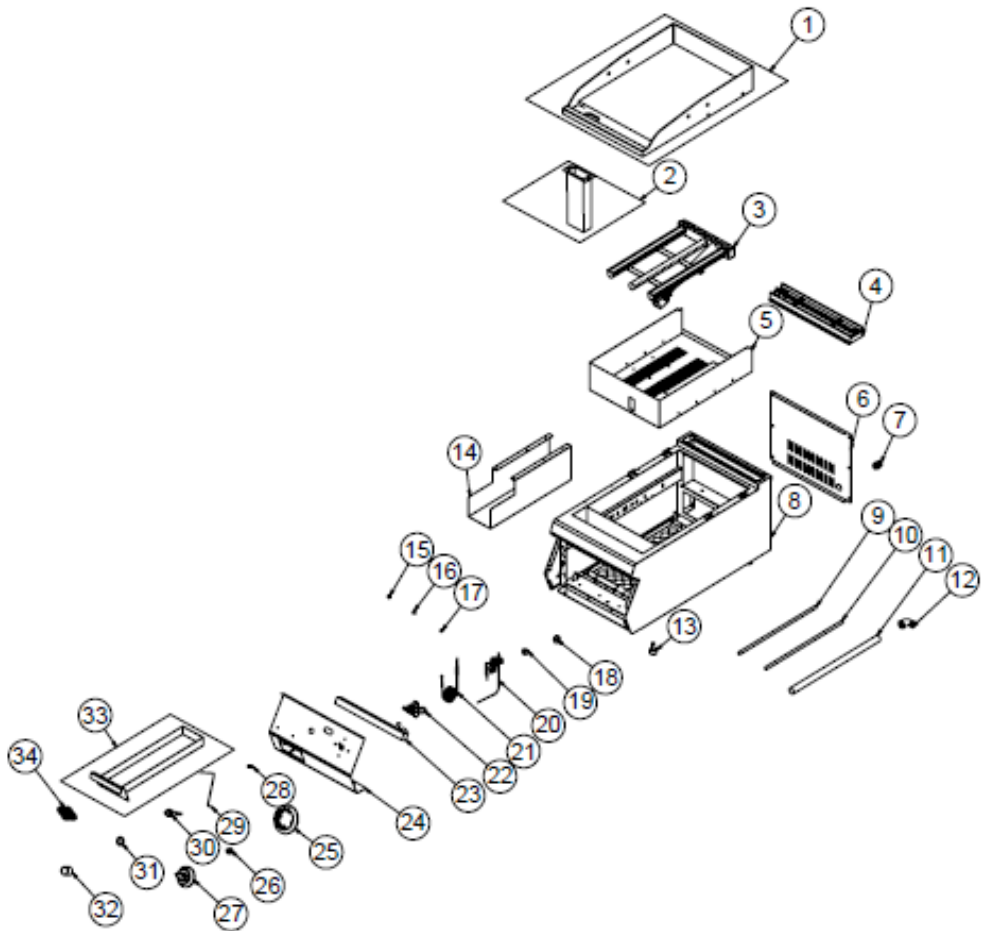
P.CODE	PRODUCT NAME	P.CODE
EMP.6IG010	PLATINA INTERMEDIATE ASSEMBLY	ARA-KNX.SNC-0003
EMP.6IG011	PLATINA INTERMEDIATE ASSEMBLY	ARA-KNX.SNC-0005
EMP.6IG020	PLATINA INTERMEDIATE ASSEMBLY	ARA-KNX.SNC-0007
EMP.6IG021	PLATINA INTERMEDIATE ASSEMBLY	ARA-KNX.SNC-0009
EMP.6IG022	PLATINA INTERMEDIATE ASSEMBLY	ARA-KNX.SNC-0011
EMP.6IG030	PLATINA INTERMEDIATE ASSEMBLY	ARA-KNX.SNC-0013
EMP.6IG031	PLATINA INTERMEDIATE ASSEMBLY	ARA-KNX.SNC-0015
EMP.6IG032	PLATINA INTERMEDIATE ASSEMBLY	ARA-KNX.SNC-0017
EMP.PLS.7IG010	PLATINA INTERMEDIATE ASSEMBLY	ARA-KNX.PG7-0023
EMP.PLS.7IG011	PLATINA INTERMEDIATE ASSEMBLY	ARA-KNX.PG7-0026
EMP.PLS.7IG020	PLATINA INTERMEDIATE ASSEMBLY	ARA-KNX.PG7-0027
EMP.PLS.7IG021	PLATINA INTERMEDIATE ASSEMBLY	ARA-KNX.PG7-0029
EMP.PLS.7IG022	PLATINA INTERMEDIATE ASSEMBLY	ARA-KNX.PG7-0031
EMP.PLS.7IG030	PLATINA INTERMEDIATE ASSEMBLY	ARA-KNX.PG7-0033
EMP.PLS.7IG031	PLATINA INTERMEDIATE ASSEMBLY	ARA-KNX.PG7-0035
EMP.PLS.7IG032	PLATINA INTERMEDIATE ASSEMBLY	ARA-KNX.PG7-0037
EMP.PLS.9IG010	PLATINA INTERMEDIATE ASSEMBLY	ARA-KNX.PG9-0011
EMP.PLS.9IG011	PLATINA INTERMEDIATE ASSEMBLY	ARA-KNX.PG9-0013
EMP.PLS.9IG020	PLATINA INTERMEDIATE ASSEMBLY	ARA-KNX.PG9-0015
EMP.PLS.9IG021	PLATINA INTERMEDIATE ASSEMBLY	ARA-KNX.PG9-0017
EMP.PLS.9IG022	PLATINA INTERMEDIATE ASSEMBLY	ARA-KNX.PG9-0019
EMP.PLS.9IG030	PLATINA INTERMEDIATE ASSEMBLY	ARA-KNX.PG9-0021
EMP.PLS.9IG031	PLATINA INTERMEDIATE ASSEMBLY	ARA-KNX.PG9-0023
EMP.PLS.9IG032	PLATINA INTERMEDIATE ASSEMBLY	ARA-KNX.PG9-0025

I SPARE PART LIST-EXPLODING DRAWING

P.CODE	PRODUCT NAME	P.CODE
EMP.6IG010-K	PLATINA INTERMEDIATE ASSEMBLY	ARA-KNX.SNC-0004
EMP.6IG011-K	PLATINA INTERMEDIATE ASSEMBLY	ARA-KNX.SNC-0006
EMP.6IG020-K	PLATINA INTERMEDIATE ASSEMBLY	ARA-KNX.SNC-0008
EMP.6IG021-K	PLATINA INTERMEDIATE ASSEMBLY	ARA-KNX.SNC-0010
EMP.6IG022-K	PLATINA INTERMEDIATE ASSEMBLY	ARA-KNX.SNC-0012
EMP.6IG030-K	PLATINA INTERMEDIATE ASSEMBLY	ARA-KNX.SNC-0014
EMP.6IG031-K	PLATINA INTERMEDIATE ASSEMBLY	ARA-KNX.SNC-0016
EMP.6IG032-K	PLATINA INTERMEDIATE ASSEMBLY	ARA-KNX.SNC-0018
EMP.PLS.7IG010-K	PLATINA INTERMEDIATE ASSEMBLY	ARA-KNX.PG7-0024
EMP.PLS.7IG011-K	PLATINA INTERMEDIATE ASSEMBLY	ARA-KNX.PG7-0025
EMP.PLS.7IG020-K	PLATINA INTERMEDIATE ASSEMBLY	ARA-KNX.PG7-0028
EMP.PLS.7IG021-K	PLATINA INTERMEDIATE ASSEMBLY	ARA-KNX.PG7-0030
EMP.PLS.7IG022-K	PLATINA INTERMEDIATE ASSEMBLY	ARA-KNX.PG7-0032
EMP.PLS.7IG030-K	PLATINA INTERMEDIATE ASSEMBLY	ARA-KNX.PG7-0034
EMP.PLS.7IG031-K	PLATINA INTERMEDIATE ASSEMBLY	ARA-KNX.PG7-0036
EMP.PLS.7IG032-K	PLATINA INTERMEDIATE ASSEMBLY	ARA-KNX.PG7-0038
EMP.PLS.9IG010-K	PLATINA INTERMEDIATE ASSEMBLY	ARA-KNX.PG9-0012
EMP.PLS.9IG011-K	PLATINA INTERMEDIATE ASSEMBLY	ARA-KNX.PG9-0014
EMP.PLS.9IG020-K	PLATINA INTERMEDIATE ASSEMBLY	ARA-KNX.PG9-0016
EMP.PLS.9IG021-K	PLATINA INTERMEDIATE ASSEMBLY	ARA-KNX.PG9-0018
EMP.PLS.9IG022-K	PLATINA INTERMEDIATE ASSEMBLY	ARA-KNX.PG9-0020
EMP.PLS.9IG030-K	PLATINA INTERMEDIATE ASSEMBLY	ARA-KNX.PG9-0022
EMP.PLS.9IG031-K	PLATINA INTERMEDIATE ASSEMBLY	ARA-KNX.PG9-0024
EMP.PLS.9IG032-K	PLATINA INTERMEDIATE ASSEMBLY	ARA-KNX.PG9-0026

PLUS GAS GRILLS

I SPARE PART LIST-EXPLODING DRAWING



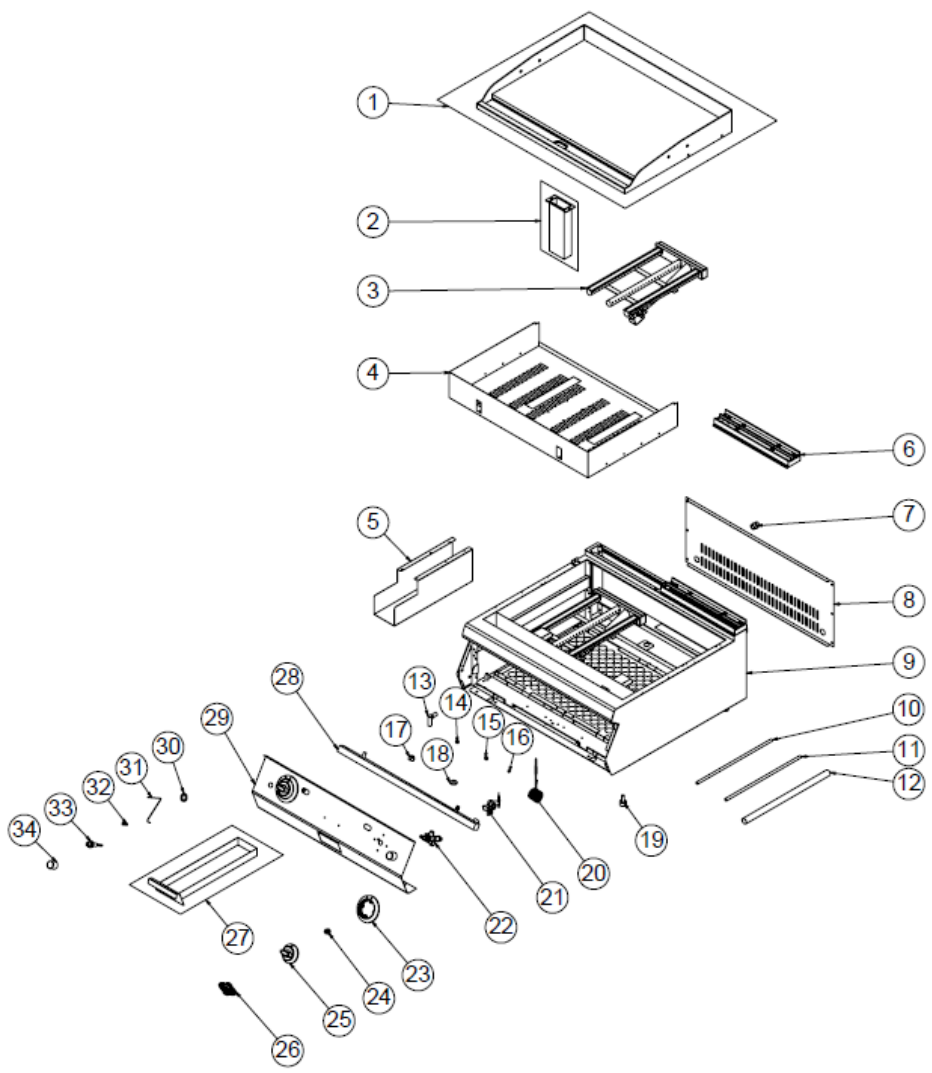
EMP.PLS.7IG010

I SPARE PART LIST-EXPLODING DRAWING
PRODUCT CODE : EMP.PLS.7IG010

NO	PRODUCT NAME	P.CODE
1	PLATINUM	ARA-KNX.PG7-0023
2	PROFILE	ARA-KNX.PG7-0002
3	3 BURNER	M.GAZ-BRL-SMC-027
4	40 CM X 7 CM CHIMNEY	JP.M.AKS-DKM-KZN-013
5	BURNING SECTION SHEET	YSC-KNX.PG7-PN-0862
6	BACK SHEET METAL	YSC-KNX.PG7-PN-0808
7	CONNECTION 1/2	JP.M.MEK-TES-SRI-014
8	CHASSIS	-
9	FLEXIABLE GAS PIPE \varnothing 10 MM 40 CM 3/8	M.GAZ-TES-SPR-014
10	GAS FLEX 40 CM \varnothing 6 MM	M.GAZ-TES-SPR-033
11	1/2 -1/2 80 CM GAS FLEX	M.GAZ-TES-SPR-009
12	3/8*1/4 BURNER INLET	M.GAZ-TES-SRI-011
13	M10*35 FOOT	JP.M.AKS-AYK-PLS-002
14	SLIDE SHEET	YSC-KNX.PG7-PN-0582
15	INJECTOR M6*0,75 \varnothing 2.20 MM.	M.GAZ-ENJ-LPG-003
16	INJECTOR M6*0.75 \varnothing 1.30 MM.	M.GAZ-ENJ-LPG-006
17	PILOT 0.25 SHORT LPG INJECTOR	M.GAZ-ENJ-PLT-001
18	GASKET	M.CNT-PLS-KLN-002
19	NUT	M.TRN-KNX-PG7-004
20	TWO FALSE PILOT GROUPS	M.GAZ-PLT-PLC-002
21	M8*1200 THERMOELEMENT NO:18	M.GAZ-TRL-003
22	GAS VALVE M8 THREADED	M.GAZ-VNA-ECA-002
23	GAS TANK	M.GAZ-DPO-PG-042
24	FRONT PANEL	YSC-KNX.PG7-LZ-1003
25	BUTTON BUFFER	M.AKS-DGM-EMP-016
26	BUTTON SOCKET 8 MM	M.AKS-DGM-SKT-001
27	BUTTON	M.AKS-DGM-EMP-024
28	M4 FRAME SPRING	M.YAY-PG-004
29	CABLE 500MM	M.GAZ-CKM-KBL-004
30	PIOZE LIGHTER \varnothing :18	M.GAZ-CKM-PIEZ-001
31	LIGHTER WASHER	YSC-KNX.PG7-LZ-0557
32	LIGHTER GUARD	M.GAZ--PIEZ-KRM
33	DRAWER	ARA-KNX.PG7-0001
34	TICKET	M.AKS-OZL-MTL-006

PLUS GAS GRILLS

I SPARE PART LIST-EXPLODING DRAWING



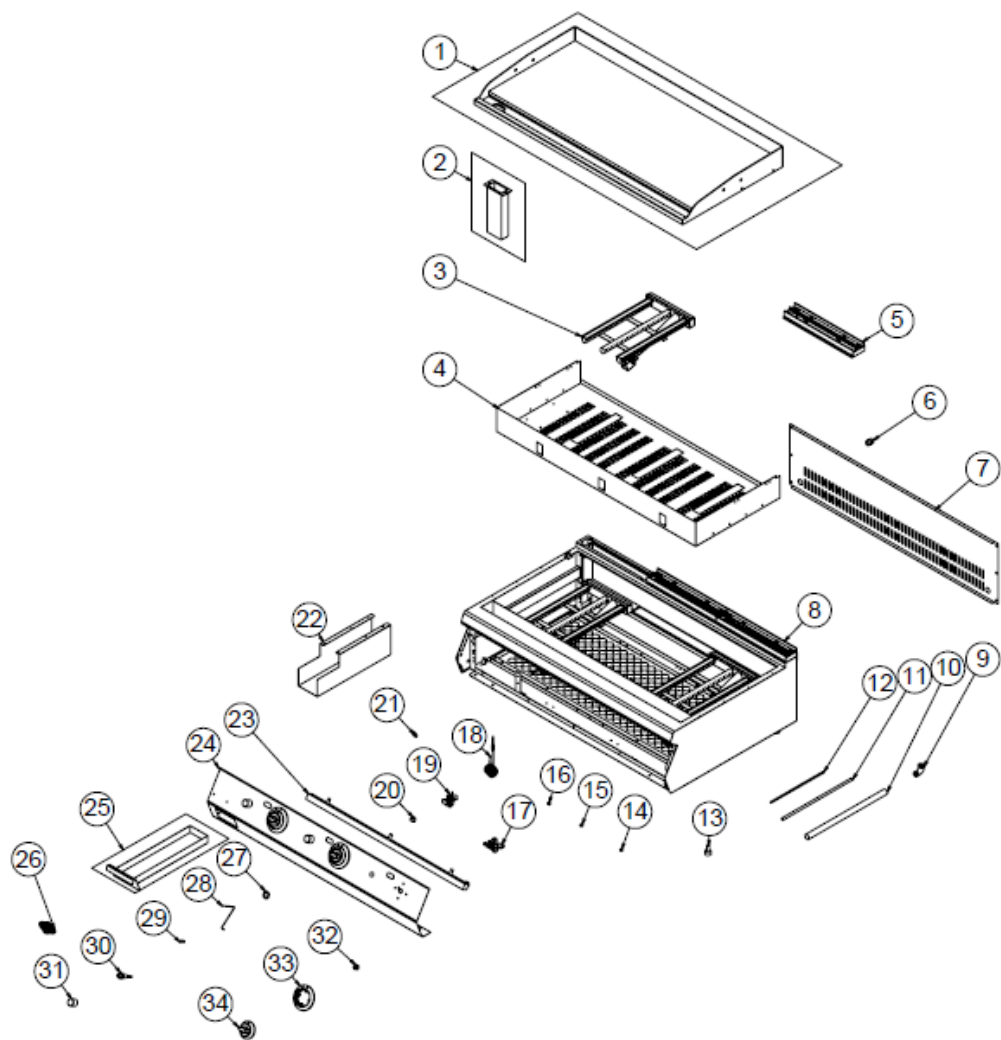
EMP.PLS.7IG020

I SPARE PART LIST-EXPLODING DRAWING
PRODUCT CODE : EMP.PLS.7IG020

NO	PRODUCT NAME	P.CODE
1	PLATINUM	ARA-KNX.PG7-0027
2	PROFILE	ARA-KNX.PG7-0002
3	3 BURNER	M.GAZ-BRL-SMC-027
4	BURNING SECTION SHEET	YSC-KNX.PG7-PN-0863
5	SLIDE SHEET	YSC-KNX.PG7-PN-0582
6	40 CM X 7 CM CHIMNEY	JP.M.AKS-DKM-KZN-013
7	CONNECTION 1/2	JP.M.MEK-TES-SRI-014
8	BACK SHEET METAL	YSC-KNX.PG7-PN-0809
9	CHASSIS	-
10	FLEXIABLE GAS PIPEØ10 MM 40 CM 3/8	M.GAZ-TES-SPR-014
11	GAS FLEX 40 CM Ø6 MM	M.GAZ-TES-SPR-033
12	1/2 -1/2 80 CM GAS FLEX	M.GAZ-TES-SPR-009
13	3/8*1/4 BURNER INLET	M.GAZ-TES-SRI-011
14	INJECTOR M6*0,75 Ø2.20 MM.	M.GAZ-ENJ-LPG-003
15	INJECTOR M6*0.75 Ø1.30 MM.	M.GAZ-ENJ-LPG-006
16	PILOT 0.25 SHORT LPG INJECTOR	M.GAZ-ENJ-PLT-001
17	NUT	M.TRN-KNX-PG7-004
18	GASKET	M.CNT-PLS-KLN-002
19	M10*35 FOOT	JP.M.AKS-AYK-PLS-002
20	M8*1200 THERMOELEMENT NO:18	M.GAZ-TRL-003
21	TWO FALSE PILOT GROUPS	M.GAZ-PLT-PLC-002
22	GAS VALVE M8 THREADED	M.GAZ-VNA-ECA-002
23	BUTTON BUFFER	M.AKS-DGM-EMP-016
24	BUTTON SOCKET 8 MM	M.AKS-DGM-SKT-001
25	BUTTON	M.AKS-DGM-EMP-024
26	TICKET	M.AKS-OZL-MTL-006
27	DRAWER	ARA-KNX.PG7-0001
28	GAS TANK	M.GAZ-DPO-PG-043
29	FRONT PANEL	YSC-KNX.PG7-LZ-1004
30	LIGHTER WASHER	YSC-KNX.PG7-LZ-0557
31	CABLE 500MM	M.GAZ-CKM-KBL-004
32	M4 FRAME SPRING	M.YAY-PG-004
33	PIOZE LIGHTER Ø:18	M.GAZ-CKM-PIEZ-001
34	LIGHTER GUARD	M.GAZ--PIEZ-KRM

PLUS GAS GRILLS

I SPARE PART LIST-EXPLODING DRAWING



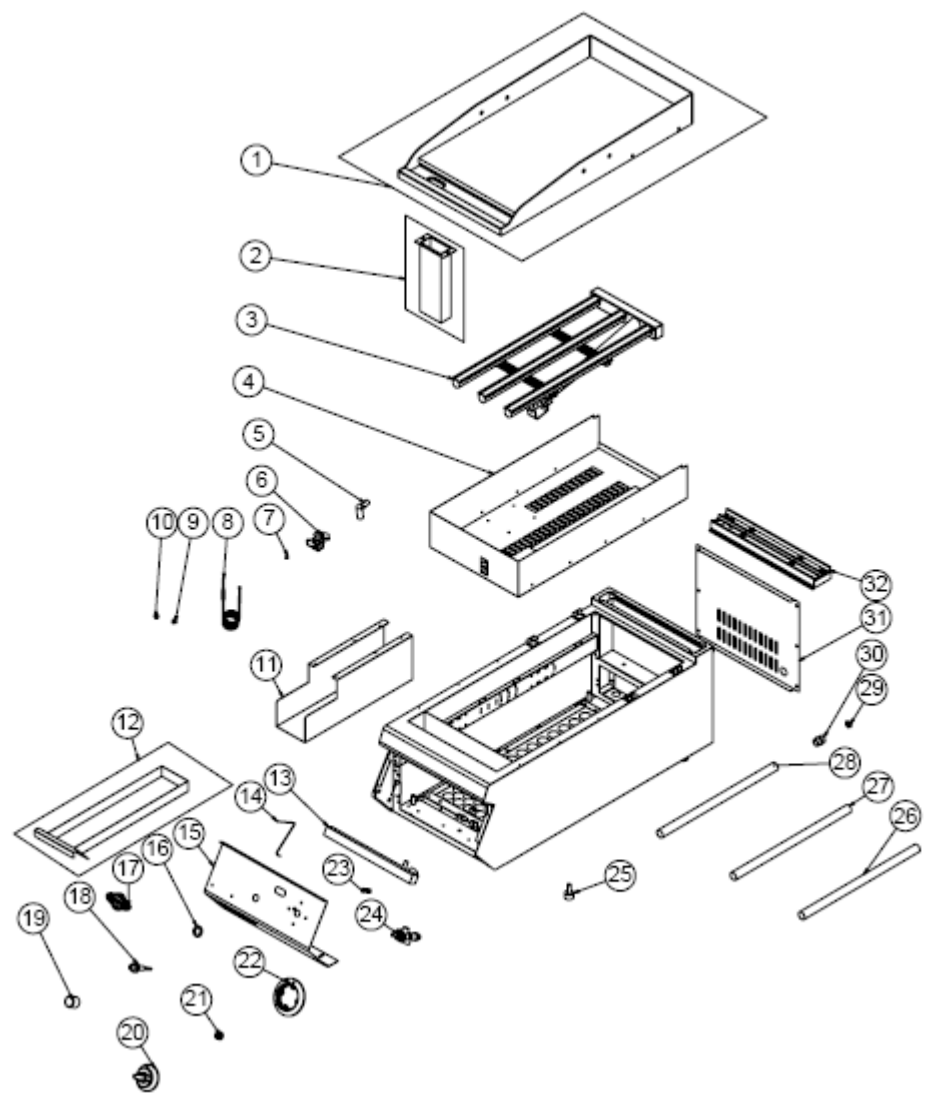
EMP.PLS.7IG030

I SPARE PART LIST-EXPLODING DRAWING

PRODUCT CODE : EMP.PLS.7IG030		
NO	PRODUCT NAME	P.CODE
1	PLATINUM	ARA-KNX.PG7-0033
2	PROFILE	ARA-KNX.PG7-0002
3	3 BURNER	M.GAZ-BRL-SMC-027
4	BURNING SECTION SHEET	YSC-KNX.PG7-PN-0864
5	40 CM X 7 CM CHIMNEY	JP.M.AKS-DKM-KZN-013
6	CONNECTION 1/2	JP.M.MEK-TES-SRI-014
7	BACK SHEET METAL	YSC-KNX.PG7-PN-0792
8	CHASSIS	-
9	3/8*1/4 BURNER INLET	M.GAZ-TES-SRI-011
10	FLEXIBLE GAS PIPE Ø10 MM 40 CM 3/8	M.GAZ-TES-SPR-014
11	GAS FLEX 40 CM Ø6 MM	M.GAZ-TES-SPR-033
12	1/2 -1/2 80 CM GAS FLEX	M.GAZ-TES-SPR-009
13	M10*35 FOOT	JP.M.AKS-AYK-PLS-002
14	INJECTOR M6*0,75 Ø2.20 MM.	M.GAZ-ENJ-LPG-003
15	INJECTOR M6*0.75 Ø1.30 MM.	M.GAZ-ENJ-LPG-006
16	PILOT 0.25 SHORT LPG INJECTOR	M.GAZ-ENJ-PLT-001
17	GAS VALVE M8 THREADED	M.GAZ-VNA-ECA-002
18	M8*1200 THERMOELEMENT NO:18	M.GAZ-TRL-003
19	TWO FALSE PILOT GROUPS	M.GAZ-PLT-PLC-002
20	NUT	M.TRN-KNX-PG7-004
21	GASKET	M.CNT-PLS-KLN-002
22	SLIDE SHEET	YSC-KNX.PG7-PN-0582
23	GAS TANK	M.GAZ-DPO-PG-096
24	FRONT PANEL	YSC-KNX.PG7-LZ-1005
25	DRAWER	ARA-KNX.PG7-0001
26	TICKET	M.AKS-OZL-MTL-006
27	LIGHTER WASHER	YSC-KNX.PG7-LZ-0557
28	CABLE 500MM	M.GAZ-CKM-KBL-004
29	M4 FRAME SPRING	M.YAY-PG-004
30	PIOZE LIGHTER Ø:18	M.GAZ-CKM-PIEZ-001
31	LIGHTER GUARD	M.GAZ--PIEZ-KRM
32	BUTTON SOCKET 8 MM	M.AKS-DGM-SKT-001
33	BUTTON BUFFER	M.AKS-DGM-EMP-016
34	BUTTON	M.AKS-DGM-EMP-024

PLUS GAS GRILLS

I SPARE PART LIST-EXPLODING DRAWING



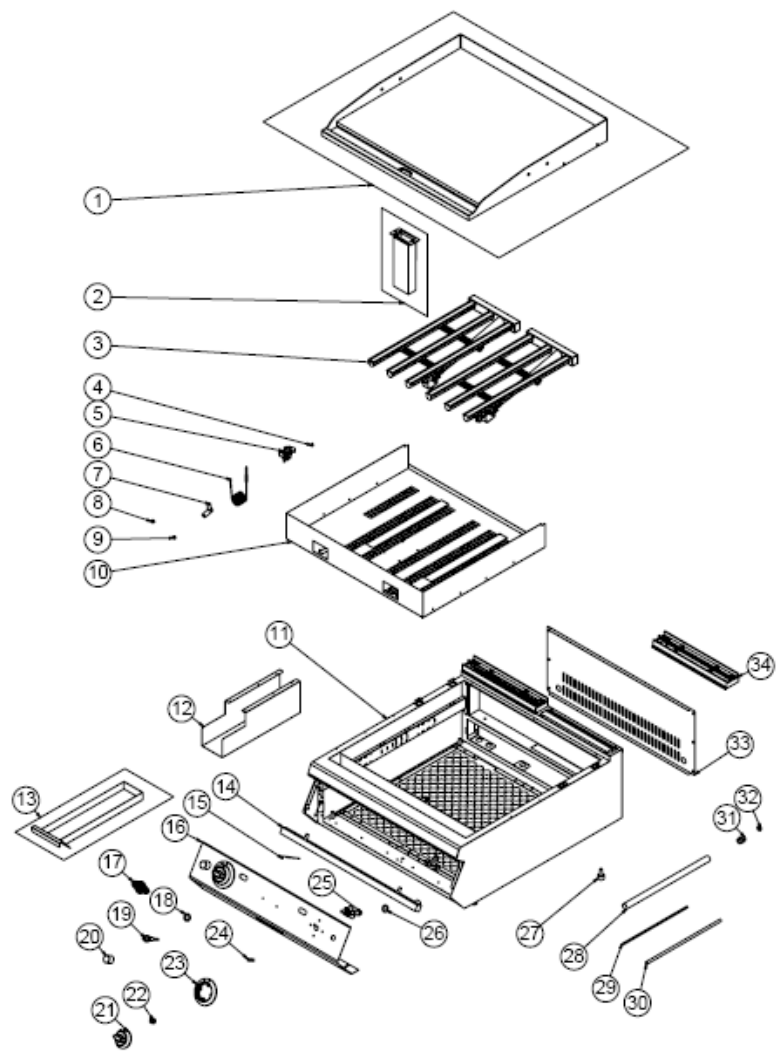
EMP.PLS.9IG010

I SPARE PART LIST-EXPLODING DRAWING

PRODUCT CODE : EMP.PLS.9IG010		
NO	PRODUCT NAME	P.CODE
1	PLATINUM	ARA-KNX.PG9-0011
2	PROFILE	ARA-KNX.PG7-0002
3	3 BURNER	M.GAZ-BRL-SMC-029
4	COMBUSTION SECTION	YSC-KNX.PG9-PN-0642
5	3/8*1/4 BURNER INLET	M.GAZ-TES-SRI-011
6	TWO FALSE PILOT GROUPS	M.GAZ-PLT-PLC-002
7	PILOT 0.25 SHORT LPG INJECTOR	M.GAZ-ENJ-PLT-001
8	M8*1200 THERMOELEMENT NO:18	M.GAZ-TRL-003
9	INJECTOR M6*0.75 Ø2.40 MM.	M.GAZ-ENJ-LPG-009
10	INJECTOR M6*0.75 Ø1,60 MM	M.GAZ-ENJ-NG-004
11	SLIDE SHEET	YSC-KNX.PG7-PN-0582
12	DRAWER	ARA-KNX.PG9-0010
13	ANGELED PIPE	M.GAZ-DPO-PG-042
14	CABLE 500MM	M.GAZ-CKM-KBL-004
15	FRONT PANEL	YSC-KNX.PG9-LZ-0977
16	LIGHTER WASHER	YSC-KNX.PG7-LZ-0557
17	TICKET	M.AKS-OZL-MTL-006
18	PIOZE LIGHTER Ø:18	M.GAZ-CKM-PIEZ-001
19	LIGHTER GUARD	M.GAZ--PIEZ-KRM
20	BUTTON	M.AKS-DGM-EMP-024
21	BUTTON SOCKET 8 MM	M.AKS-DGM-SKT-001
22	BUTTON BUFFER	M.AKS-DGM-EMP-016
23	M4 FRAME SPRING	M.YAY-PG-004
24	GAS VALVE M8 THREADED	M.GAZ-VNA-ECA-002
25	M10*35 FOOT	JP.M.AKS-AYK-PLS-002
26	1/2 -1/2 80 CM GAS FLEX	M.GAZ-TES-SPR-009
27	FLEXIABLE GAS PIPEØ10 MM 40 CM 3/8	M.GAZ-TES-SPR-014
28	GAS FLEX 40 CM Ø6 MM	M.GAZ-TES-SPR-033
29	NUT	M.TRN-KNX-PG7-004
30	CONNECTION 1/2	JP.M.MEK-TES-SRI-014
31	BACK SHEET METAL	YSC-KNX.PG7-PN-0808
32	40 CM X 7 CM CHIMNEY	JP.M.AKS-DKM-KZN-013

PLUS GAS GRILLS

I SPARE PART LIST-EXPLODING DRAWING



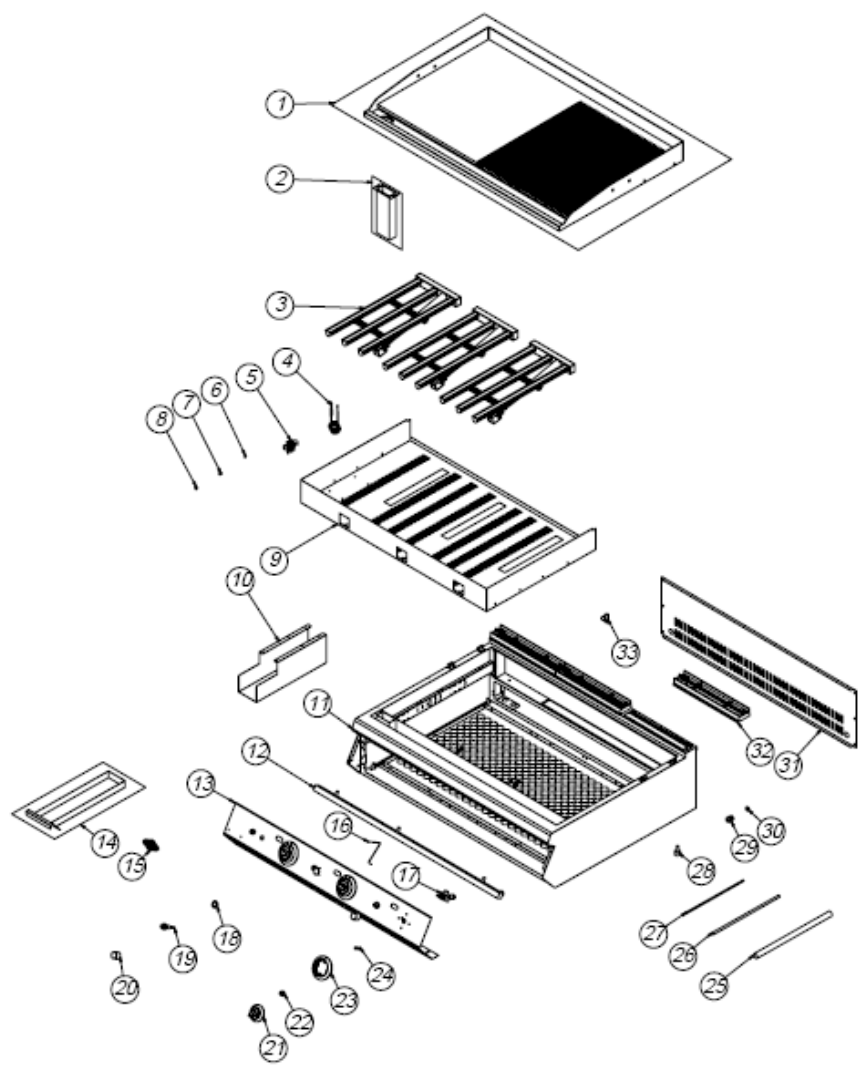
EMP.PLS.9IG020

I SPARE PART LIST-EXPLODING DRAWING

PRODUCT CODE : EMP.PLS.9IG020		
NO	PRODUCT NAME	P.CODE
1	PLATINUM	ARA-KNX.PG9-0015
2	PROFILE	ARA-KNX.PG7-0002
3	3 BURNER	M.GAZ-BRL-SMC-029
4	PILOT 0.25 SHORT LPG INJECTOR	M.GAZ-ENJ-PLT-001
5	TWO FALSE PILOT GROUPS	M.GAZ-PLT-PLC-002
6	M8*1200 THERMOELEMENT NO:18	M.GAZ-TRL-003
7	3/8*1/4 BURNER INLET	M.GAZ-TES-SRI-011
8	INJECTOR M6*0.75 Ø2.40 MM.	M.GAZ-ENJ-LPG-009
9	INJECTOR M6*0.75 Ø1,60 MM	M.GAZ-ENJ-NG-004
10	COMBUSTION SECTION	YSC-KNX.PG9-PN-0643
11	CHASSIS	-
12	SLIDE SHEET	YSC-KNX.PG7-PN-0582
13	DRAWER	ARA-KNX.PG9-0010
14	GAS TANK	M.GAZ-DPO-PG-043
15	CABLE 500MM	M.GAZ-CKM-KBL-004
16	FRONT PANEL	YSC-KNX.PG9-LZ-0978
17	TICKET	M.AKS-OZL-MTL-006
18	LIGHTER WASHER	YSC-KNX.PG7-LZ-0557
19	PIOZE LIGHTER Ø:18	M.GAZ-CKM-PIEZ-001
20	LIGHTER GUARD	M.GAZ--PIEZ-KRM
21	BUTTON	M.AKS-DGM-EMP-024
22	BUTTON SOCKET 8 MM	M.AKS-DGM-SKT-001
23	BUTTON BUFFER	M.AKS-DGM-EMP-016
24	M4 FRAME SPRING	M.YAY-PG-004
25	GAS VALVE M8 THREADED	M.GAZ-VNA-ECA-002
26	GASKET	M.CNT-PLS-KLN-002
27	M10*35 FOOT	JP.M.AKS-AYK-PLS-002
28	1/2 -1/2 80 CM GAS FLEX	M.GAZ-TES-SPR-009
29	FLEXIABLE GAS PIPEØ10 MM 40 CM 3/8	M.GAZ-TES-SPR-014
30	GAS FLEX 40 CM Ø6 MM	M.GAZ-TES-SPR-033
31	CONNECTION 1/2	JP.M.MEK-TES-SRI-014
32	NUT	M.TRN-KNX-PG7-004
33	BACK SHEET METAL	YSC-KNX.PG7-PN-0809
34	40 CM X 7 CM CHIMNEY	JP.M.AKS-DKM-KZN-013

PLUS GAS GRILLS

I SPARE PART LIST-EXPLODING DRAWING



EMP.PLS.9IG030

I SPARE PART LIST-EXPLODING DRAWING

PRODUCT CODE : EMP.PLS.9IG030		
NO	PRODUCT NAME	P.CODE
1	PLATINUM	ARA-KNX.PG9-0021
2	PROFILE	ARA-KNX.PG7-0002
3	3 BURNER	M.GAZ-BRL-SMC-029
4	M8*1200 THERMOELEMENT NO:18	M.GAZ-TRL-003
5	TWO FALSE PILOT GROUPS	M.GAZ-PLT-PLC-002
6	INJECTOR M6*0.75 Ø2.40 MM.	M.GAZ-ENJ-LPG-009
7	INJECTOR M6*0.75 Ø1,60 MM	M.GAZ-ENJ-NG-004
8	PILOT 0.25 SHORT LPG INJECTOR	M.GAZ-ENJ-PLT-001
9	COMBUSTION SECTION	YSC-KNX.PG9-PN-0644
10	SLIDE SHEET	YSC-KNX.PG7-PN-0582
11	CHASSIS	-
12	GAS TANK	M.GAZ-DPO-PG-096
13	FRONT PANEL	YSC-KNX.PG9-LZ-0979
14	DRAWER	ARA-KNX.PG9-0010
15	TICKET	M.AKS-OZL-MTL-006
16	CABLE 500MM	M.GAZ-CKM-KBL-004
17	GAS VALVE M8 THREADED	M.GAZ-VNA-ECA-002
18	LIGHTER WASHER	YSC-KNX.PG7-LZ-0557
19	PIOZE LIGHTER Ø:18	M.GAZ-CKM-PIEZ-001
20	LIGHTER GUARD	M.GAZ--PIEZ-KRM
21	BUTTON	M.AKS-DGM-EMP-024
22	BUTTON SOCKET 8 MM	M.AKS-DGM-SKT-001
23	BUTTON BUFFER	M.AKS-DGM-EMP-016
24	M4 FRAME SPRING	M.YAY-PG-004
25	1/2 -1/2 80 CM GAS FLEX	M.GAZ-TES-SPR-009
26	FLEXIABLE GAS PIPEØ10 MM 40 CM 3/8	M.GAZ-TES-SPR-014
27	GAS FLEX 40 CM Ø6 MM	M.GAZ-TES-SPR-033
28	M10*35 FOOT	JP.M.AKS-AYK-PLS-002
29	CONNECTION 1/2	JP.M.MEK-TES-SRI-014
30	NUT	M.TRN-KNX-PG7-004
31	BACK SHEET METAL	YSC-KNX.PG7-PN-0792
32	40 CM X 7 CM CHIMNEY	JP.M.AKS-DKM-KZN-013
33	3/8*1/4 BURNER INLET	M.GAZ-TES-SRI-011