



# GAS LAVASTONE GRILLS

## CONTENTS

---

<b>A</b>	<b>GENERAL INFORMATION .....</b>	<b>Page 2</b>
A1	PRODUCT DESCRIPTION .....	Page 3
A2	TECHNICAL INFORMATION .....	Page 3
A3	TRANSPORTATION .....	Page 4
A4	UNPACKING .....	Page 4
<b>B</b>	<b>INSTALLATION .....</b>	<b>Page 4</b>
<b>C</b>	<b>SAFETY INSTRUCTIONS.....</b>	<b>Page 5</b>
<b>D</b>	<b>OPERATION .....</b>	<b>Page 6</b>
<b>E</b>	<b>CLEANING &amp; MAINTENANCE.....</b>	<b>Page 7</b>
<b>F</b>	<b>TROUBLESHOOTING.....</b>	<b>Page 8</b>
<b>G</b>	<b>INJECTOR CHANGE AND GAS SETTING .....</b>	<b>Page 9</b>
<b>H</b>	<b>GAS CONNECTION IMAGES.....</b>	<b>Page 10</b>
<b>I</b>	<b>SPARE PART LIST- EXPLODING DRAWING .....</b>	<b>Page 12</b>

## A GENERAL INFORMATION

---

**Before installing the appliance, read operation and maintenance instructions carefully. Wrong installation and part changing may damage the product or may cause injury on people. These are not in our company's responsibility to damage the appliance intentionally, negligence, detriments because of disobeying instructions and regulations, wrong connections. Unauthorized intervention to appliance invalidates the warranty.**

1. This instruction manual should be kept in a safe place for future reference.
- 2. Installation should be made in accordance with ordinances and security rules of that country by a qualified service personnel.**
3. This appliance has to be used by trained person.
4. Please turn off the appliance immediately in the event of malfunction or failure. The appliance should be repaired only by authorized service personnel. Please demand original spare part.



# GAS LAVASTONE GRILLS

## A1 PRODUCT DESCRIPTION

\*The Professional Gas Lavastone Grills, that provides high efficiency has been designed to be used in industrial kitchens.

Product Code	Dimensions (mm)	Weight (kg)	Packaging Dimensions (mm)
EMP.6LG010	400x635x285	51	480x700x580
EMP.6LG020	600x635x285	72	620x710x580
EMP.6LG030	900x635x285	104	930x730x580
EMP.PLS.7LG010	400x730x300	55	480X800X620
EMP.PLS.7LG020	800x730x300	105	900X850X620
EMP.PLS.7LG030	1200x730x300	143	1280X860X620
EMP.PLS.9LG010	400X900X300	69	480X1000X620
EMP.PLS.9LG020	800X900X300	126	890X1000X620
EMP.PLS.9LG030	1200X900X300	126	1280X1000X620

## A2 TECHNICAL INFORMATION

Product Code	Power	Gas Consumption	Power LPG (KW)	Gas Consumption
	NG (KW)	m <sup>3</sup> /h (NG)		kg/h (LPG)
EMP.6LG010	6,46	0,69	5,50	0,43
EMP.6LG020	12,90	1,36	11,00	0,86
EMP.6LG030	19,38	2,04	16,50	1,29
EMP.PLS.7LG010	8,60	0,91	9,90	0,77
EMP.PLS.7LG020	17,20	1,82	11,00	0,86
EMP.PLS.7LG030	25,80	2,73	16,50	1,29
EMP.PLS.9LG010	10,30	1,09	9,90	0,77
EMP.PLS.9LG020	20,60	2,18	11,00	0,86
EMP.PLS.9LG030	30,90	3,27	16,50	1,29

---

**A3 TRANSPORTATION**

---

\* This appliance can not be moved by hand from area to area. Therefore Use a hauling truck (forklift or pallet jack) to move the appliance. ( The lifting arms of the of forklift or pallet jack must reach up to more than half part of t appliance underneath.

---

**A4 UNPACKING**

---

\*Please unpack the package according to the security codes and ordinances of current country and get rid from the pack.Parts which contacts with food are produced by stainless steel.All plastic parts are marked by material's symbol.

\*Please check that all the parts of appliance had come completely and if they are damaged or not during the shipping.

---

**B INSTALLATION**

---

\*Please place the product to straight and sturdy ground,please take necessary steps against possibility of overturn.

\*Technician who will serve for installation and service for the appliance must be professional on this subject and must have installation and service licenses by the company.

\*Connection to Gas Fitment must be done by authorized person.

\*The area where the appliance is must have enough ventilation and vent-hole.

\*The appliance must be connected correctly according to local and national gas standards of your country.

\*The appliance gas entrances are indicated with "G" label on the body.

\*Connection to gas fitment must be done with suitable diameter metal flex pipe and spheric valve.The spheric valve must be immobilized to a place that is far away from heat and accessible during the danger.After gas entrance connection done,gas leakages must be checked.










\*According to the datas on appliance information plate,gas and pressure must be adjusted.If the gas type that is adjusted is not the suitable with gas type that is at installation place,apply the instructions that is about adjustment of different gas type. (**Event :G**)

\*If the location where gas ranges placed is covered with nonflammable heat insulation material,the distance between them must be 5 cm.Otherwise it should be at least 20 cm.The appliance shouldn't be operated under chimney hood.

## GAS LAVASTONE GRILLS

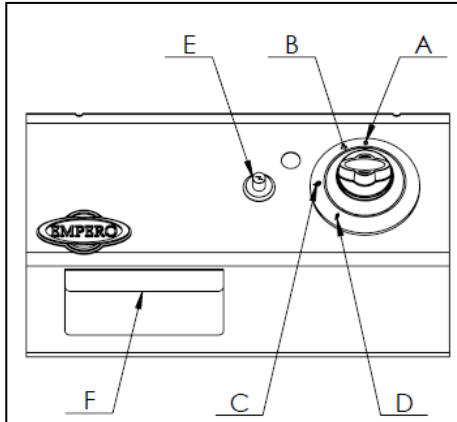
### C SAFETY INSTRUCTIONS

---

-  \*Do not use the appliance in insufficient lighted place.
-  \*Do not touch the moving attachments while the appliance operates.
-  \*Do not install the appliance in the presence of flammable or explosive materials.
-  \*Do not operate the appliance when the machine is empty.
-  \*Do not load so less or more than appliance's capacity.
-  \*Do not attempt to use the appliance without suitable protective equipments.
-  \*Because of any reason if there is a fire or flame flare where the appliance is used, turn off all gas valves and electric contactor switch quickly and use fire extinguisher. Never use water to extinguish the fire.
-  \*If there is gas leakage where the appliance is, do not fire absolutely and do not use electric.
-  \*Definitely do not allow to check the sealing with flame.

## D OPERATION

### \*Control Panel;



- A : OFF Position
- B : Lighter Position
- C : Full Flame
- D : Half Flame
- E : Lighter
- F : Spyhole

### \*Operating;

- According to type of use,make gas entrance connection from behind the grill. Because the machine is operated with LPG and NG.
- Turn on the main gas valve.
- In order to evacuate the air from gas fitment press the button at pilot position before firing during first operation.
- Press grill gas button and provide the pilot to be in flame position and fire the pilot.
- After the pilot is fired,press the button for a couple seconds (min:10) to heat safety thermocouple's end.
- For desired temperature switch to full or half flame position
- Operate the grill when it is empty so that protective oil can be removed.Then place the materials that are wanted to be cooked on the grill.
- Provide the oil on the grill to be flowed to oil drawer.
- After the operation is completed,switch the gas valve to (0) position.

# GAS LAVASTONE GRILLS

## **E      CLEANING & MAINTENANCE**

---

### ➤ **CLEANING AND MAINTENANCE AFTER EVERY USE**

- Turn off the gas connection before cleaning.
- Clean the outer surface of the appliance with moist cloth.
- Do not use abrasive cleaning chemicals as these can leave harmful residues.
- Do not wash the appliance with pressure water.
- Do not clean the appliance with a materials that may damage chrome material.
- Thus, it can be prevented the accumulation of the burned and carbonized food and the reduction of cooking efficiency.

### ➤ **PERIODIC CLEANING AND MAINTENANCE**

- Maintenance should be done by qualified person.
- These parts ; Gas storage,thermocouples,taps,burner,lighter and spark plug cable are not maintained so they need to be changed when they have error.
- Check the gas connection hoses in periodic time.If there is slit,hole..etc,change the hoses.
- Ventilate the area where the device is in periodic times.

## F TROUBLESHOOTING

<p><b>THE APPLIANCE DOESN'T OPERATE</b></p>	<ol style="list-style-type: none"> <li>1. Check if the gas connection is done or not.</li> <li>2. If there is no gas entrance to safety and firing part,the appliance is not operated.</li> <li>3. Check if the injector holes are opened or not.</li> <li>4. If the hoses that have gas entrance lose gas due to slit,hole.etc.,the appliance is not operated.</li> </ol>
<p><b>THE APPLIANCE DOESN'T COOK WELL</b></p>	<ol style="list-style-type: none"> <li>1. Check if it is operated at suitable gas setting or not.</li> </ol>
<p><b>THE APPLIANCE STOPPED</b></p>	<ol style="list-style-type: none"> <li>1. Gas flow is stopped automatically when the flame is off due to having gas tap that has safety valve.In this situation the appliance is not operated.</li> <li>2. When there is gas leakage,if there is solenoid gas stopper alarm,gas flow is stopped and the appliance is not operated.Ventilate the area through the agency of vent-hole.</li> </ol>
<ul style="list-style-type: none"> <li>➤ If cooking at gas lavastone grills is not done at suitable quality</li> <li>➤ If any function of security doesn't work</li> <li>➤ Do not use the appliance.</li> </ul>	

**\*If these problems are still going on,contact with our authorized services.**



# GAS LAVASTONE GRILLS

## G INJECTOR CHANGE AND GAS SETTING

### GAS LAVASTONE GRILL BURNER - INJECTOR CHANGE CHART

NG / LPG		EMP.6LG010		EMP.6LG020		EMP.6LG030		
		Ø mm	X	Ø mm	X	Ø mm	X	
2	G20	Ø 1,90	1x	Ø 1,90	2x	Ø 1,90	3x	
	G25	Ø 1,90	1x	Ø 1,90	2x	Ø 1,90	3x	
3	G30	30 mbar	Ø 1,20	1x	Ø 1,20	2x	Ø 1,20	3x
		50 mbar	Ø 1,20	1x	Ø 1,20	2x	Ø 1,20	3x
	G31	37 mbar	Ø 1,20	1x	Ø 1,20	2x	Ø 1,20	3x
		30 mbar	Ø 1,20	1x	Ø 1,20	2x	Ø 1,20	3x

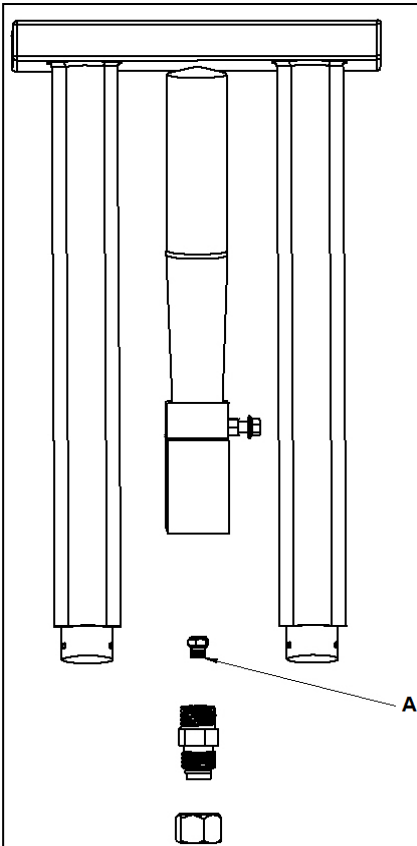
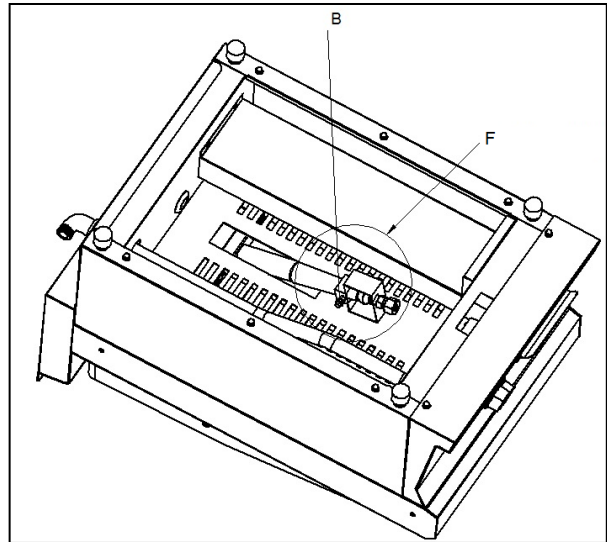
NG / LPG		G20	G25	G30	G31
				30/50 mbar	30/50 mbar
EMP.PLS.7LG010	Ø mm	Ø 2,80	Ø 2,80	Ø 1,60	Ø 1,60
	X	1x	1x	1x	1x
EMP.PLS.7LG020	Ø mm	Ø 2,80	Ø 2,80	Ø 1,60	Ø 1,60
	X	2x	2x	2x	2x
EMP.PLS.7LG030	Ø mm	Ø 2,80	Ø 2,80	Ø 1,60	Ø 1,60
	X	3x	3x	3x	3x
EMP.PLS.9LG010	Ø mm	Ø 3,50	Ø 3,50	Ø 2,00	Ø 2,00
	X	4x	1x	1x	1x
EMP.PLS.9LG020	Ø mm	Ø 3,50	Ø 3,50	Ø 2,00	Ø 2,00
	X	2x	2x	2x	2x
EMP.PLS.9LG030	Ø mm	Ø 3,50	Ø 3,50	Ø 2,00	Ø 2,00
	X	3x	3x	3x	3x

#### Change of Burner Injector;

1. Rip off the injector at the entrance of burner with suitable equipment
2. Change "A" injector by paying attention to the datas at chart with suitable injector. (Image 1)
3. Set the burner air entrance "F" setting by loosening "B" bolt and moving venturi pipe forward-back. (Image 2)
4. Change "C" injector by paying attention to the datas at chart with suitable injector. For this it is enough to take off "D" fitting and pull the gas pipe to down. (Image 3)

**Setting of Half Flame;**

1. Remove the tap button and set by turning tap half flame screw "K" with suitable screwdriver.(Image 4) Turn it to left for transformation from LPG to NG,turn it right for transformation from NG to LPG.
2. After this process,operate the appliance and set it not to be deflated during transition from full flame to half flame.

**H GAS CONNECTION IMAGES****Image-1****Image-2**

# GAS LAVASTONE GRILLS

## H GAS CONNECTION IMAGES

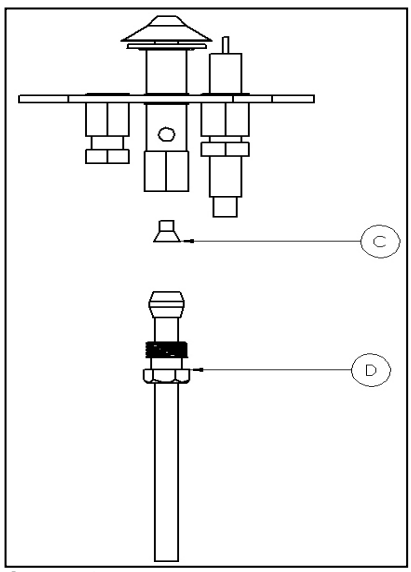


Image-3

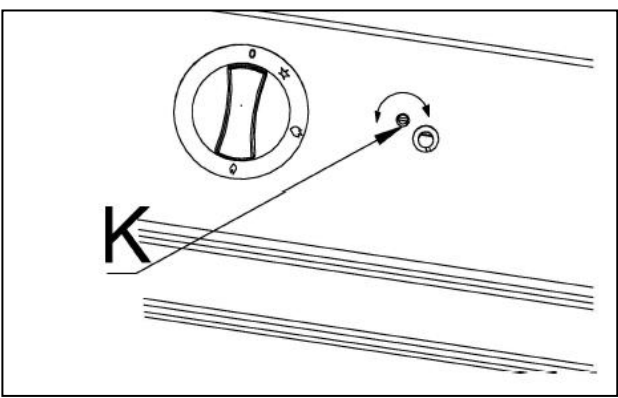
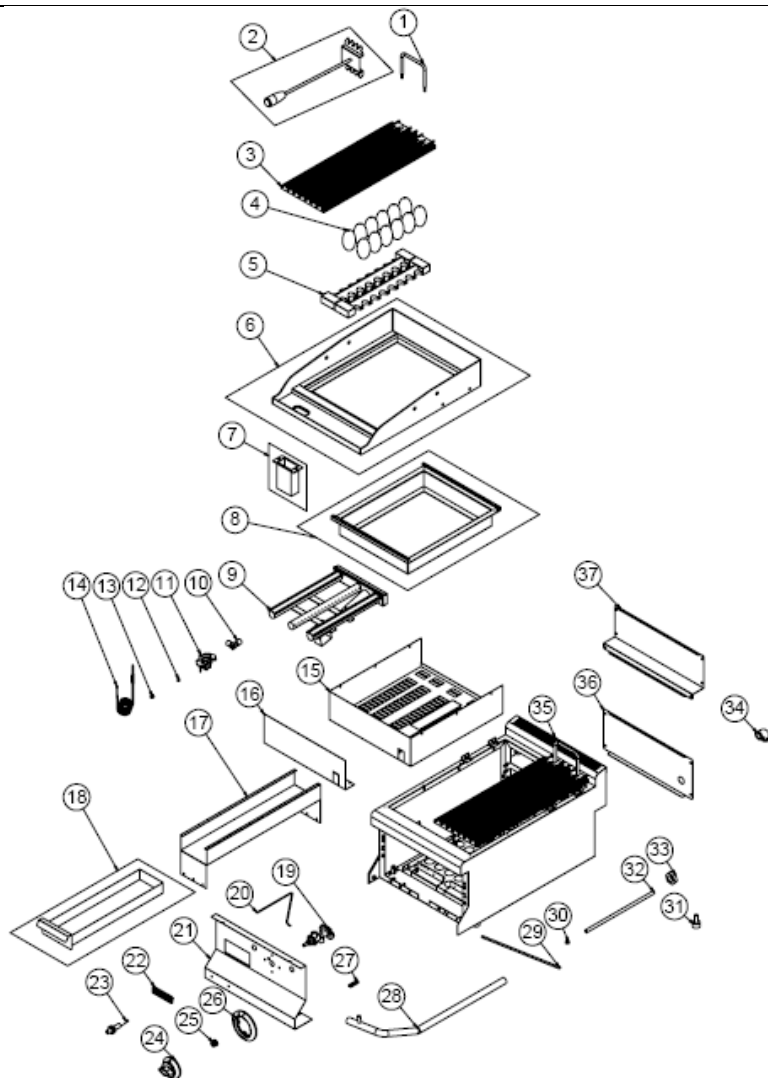


Image-4

## I SPARE PART LIST-EXPLODING DRAWIN



EMP.6LG010

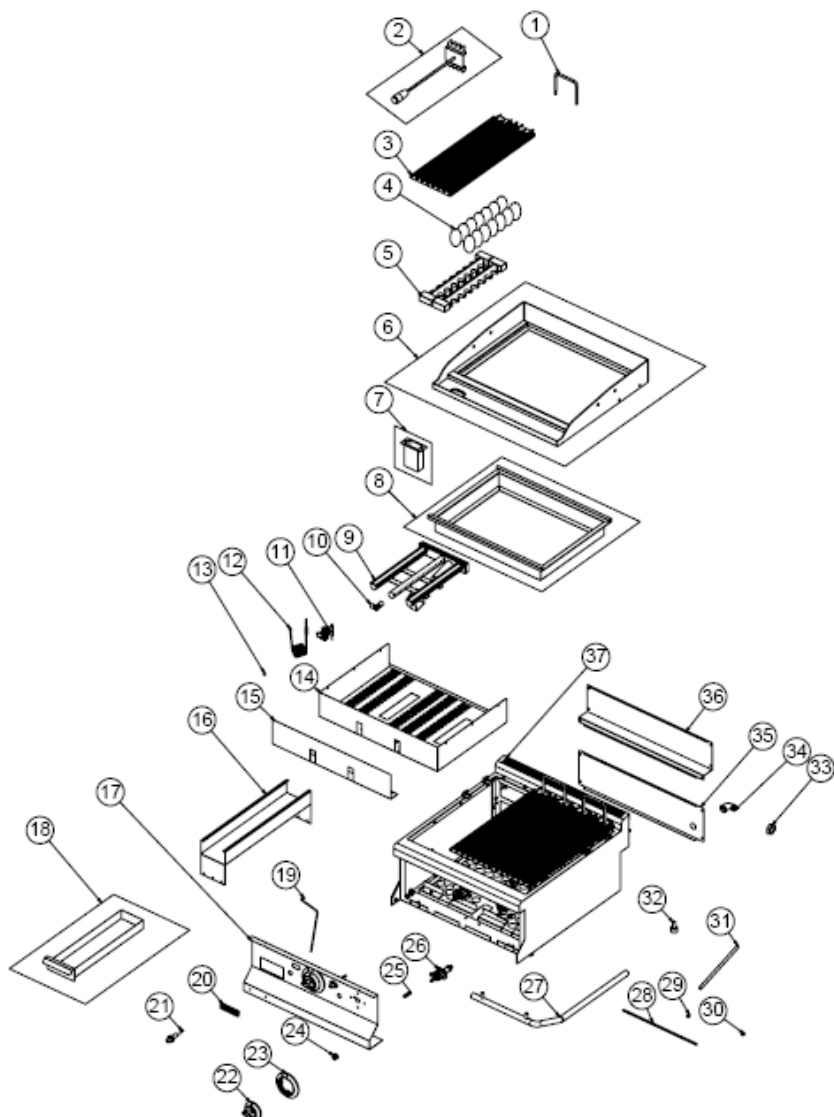


# GAS LAVASTONE GRILLS

## I SPARE PART LIST-EXPLODING DRAWIN

Product Code : EMP.6LG010		
NO	Product Name	P. Code
1	UPPER CASTING SHAFT	YTL-KNX.PG7-KS-0002
2	CLEANING SHAFT	ARA-KNX.PG7-0039
3	49.5*18.5 CASTING GRILL	M.AKS-DKM-SLU-002
4	LARGE LAV STONE	M.TAS-LAV-007
5	STONE CASTING	M.AKS-DKM-LVT-001
6	PLATINUM	ARA-KNX.SNC-0023
7	DISCHARGE PROFILE	ARA-KNX.SNC-0002
8	CASTING FRAME	ARA-KNX.SNC-0024
9	CHROME BURNER 180*320 MM	M.GAZ-BRL-SMC-004
10	3/8*1/4 BURNER INLET	M.GAZ-TES-SRI-011
11	TWO FALSE PILOT GROUPS	M.GAZ-PLT-PLC-002
12	INJECTOR M6*0.75 Ø1.20 MM	M.GAZ-ENJ-NG-002
13	INJECTOR M6*0.75 Ø1.90 MM	M.GAZ-ENJ-NG-003
14	M8*1200 THERMOELEMENT NO:18	M.GAZ-TRL-003
15	BURNING SECTION SHEET	YSC-KNX.SNC-PN-0127
16	BURNING SECTION INSULATION FRONT SHEET	YSC-KNX.SNC-PN-0029
17	OIL SLIDE SHEET	YSC-KNX.SNC-PN-0120
18	DRAWER	ARA-KNX.SNC-0001
19	GAS VALVE M8 THREADED	M.GAZ-VNA-ECA-002
20	CABLE 500MM	M.GAZ-CKM-KBL-004
21	FRONT PANEL	YSC-KNX.SNC-LZ-0158
22	TICKET	JP.M.AKS-OZL-MTL-001
23	PIOZE LIGHTER Ø:18	M.GAZ-CKM-PIEZ-001
24	BUTTON	M.AKS-DGM-EMP-024
25	BUTTON SOCKET 8 MM	M.AKS-DGM-SKT-001
26	BUTTON BUFFER	M.AKS-DGM-EMP-016
27	M4 FRAME SPRING	M.YAY-PG-004
28	ANGELED PIPE	M.GAZ-DPO-SNC-008
29	FLEXIABLE GAS PIPEØ10 MM 40 CM 3/8	M.GAZ-TES-SPR-014
30	PILOT 0.25 SHORT LPG INJECTOR	M.GAZ-ENJ-PLT-001
31	M10*35 FOOT	JP.M.AKS-AYK-PLS-002
32	FLEXIABLE GAS PIPEØ 6 MM 35 CM	M.GAZ-TES-SPR-024
33	NUT	M.TRN-KNX-PG7-004
34	BRACKET	JP.M.GAZ-TES-GLV-002
35	CHASSIS	-
36	REAR BOTTOM SHEET	YSC-KNX.SNC-PN-0106
37	REAR TOP SHEET	YSC-KNX.SNC-PN-0105

## I SPARE PART LIST-EXPLODING DRAWIN



**EMP.6LG020**

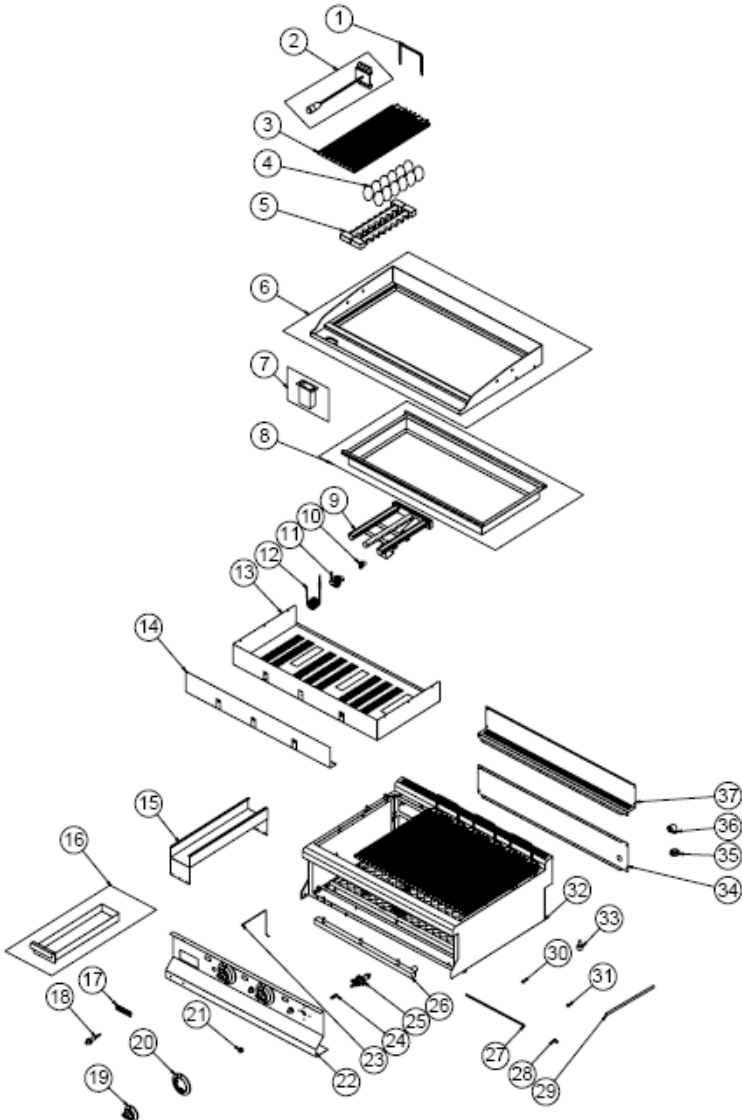


# GAS LAVASTONE GRILLS

## I SPARE PART LIST-EXPLODING DRAWIN

Product Code : EMP.6LG020		
NO	Product Name	P. Code
1	UPPER CASTING SHAFT	YTL-KNX.PG7-KS-0002
2	CLEANING SHAFT	ARA-KNX.PG7-0039
3	49.5*18.5 CASTING GRILL	M.AKS-DKM-SLU-002
4	LARGE LAV STONE	M.TAS-LAV-007
5	STONE CASTING	M.AKS-DKM-LVT-001
6	PLATINUM	ARA-KNX.SNC-0026
7	DISCHARGE PROFILE	ARA-KNX.SNC-0002
8	CASTING FRAME	ARA-KNX.SNC-0025
9	CHROME BURNER 180*320 MM	M.GAZ-BRL-SMC-004
10	3/8*1/4 BURNER INLET	M.GAZ-TES-SRI-011
11	TWO FALSE PILOT GROUPS	M.GAZ-PLT-PLC-002
12	M8*1200 THERMOELEMENT NO:18	M.GAZ-TRL-003
13	PILOT 0.25 SHORT LPG INJECTOR	M.GAZ-ENJ-PLT-001
14	BURNING SECTION SHEET	YSC-KNX.SNC-PN-0126
15	BURNING SECTION INSULATION FRONT SHEET	YSC-KNX.SNC-PN-0030
16	OIL SLIDE SHEET	YSC-KNX.SNC-PN-0120
17	FRONT PANEL	YSC-KNX.SNC-LZ-0159
18	DRAWER	ARA-KNX.SNC-0001
19	CABLE 500MM	M.GAZ-CKM-KBL-004
20	TICKET	JP.M.AKS-OZL-MTL-001
21	PIOZE LIGHTER Ø:18	M.GAZ-CKM-PIEZ-001
22	BUTTON	M.AKS-DGM-EMP-024
23	BUTTON BUFFER	M.AKS-DGM-EMP-016
24	BUTTON SOCKET 8 MM	M.AKS-DGM-SKT-001
25	M4 FRAME SPRING	M.YAY-PG-004
26	GAS VALVE M8 THREADED	M.GAZ-VNA-ECA-002
27	ANGELED PIPE	M.GAZ-DPO-SNC-009
28	FLEXIABLE GAS PIPEØ10 MM 40 CM 3/8	M.GAZ-TES-SPR-014
29	INJECTOR M6*0.75 Ø1.20 MM	M.GAZ-ENJ-NG-002
30	INJECTOR M6*0.75 Ø1.90 MM	M.GAZ-ENJ-NG-003
31	FLEXIABLE GAS PIPEØ 6 MM 35 CM	M.GAZ-TES-SPR-024
32	M10*35 FOOT	JP.M.AKS-AYK-PLS-002
33	NUT	M.TRN-KNX-PG7-004
34	BRACKET	JP.M.GAZ-TES-GLV-002
35	REAR BOTTOM SHEET	YSC-KNX.SNC-PN-0111
36	REAR TOP SHEET	YSC-KNX.SNC-PN-0110
37	CHASSIS	-

## I SPARE PART LIST-EXPLODING DRAWIN



**EMP.6LG030**

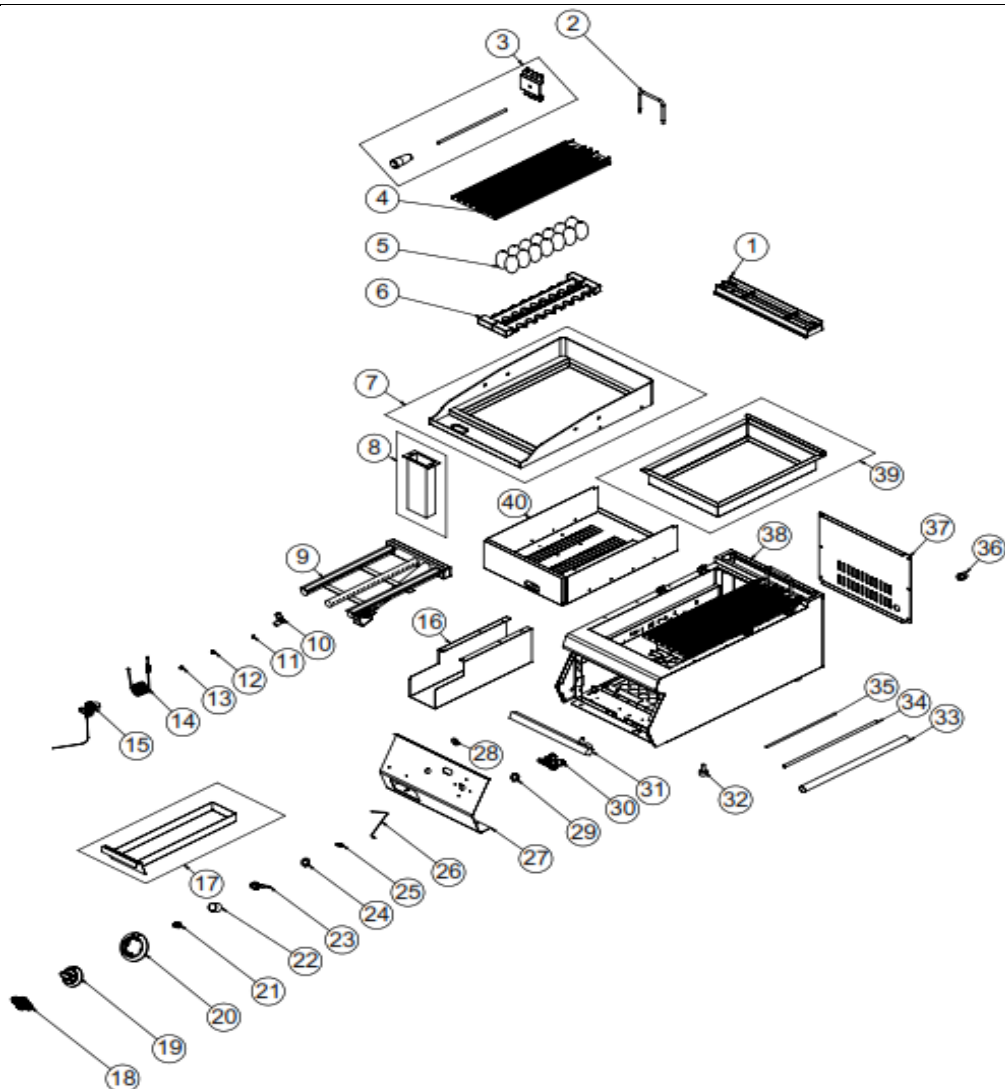


# GAS LAVASTONE GRILLS

## I SPARE PART LIST-EXPLODING DRAWIN

Product Code : EMP.6LG030		
NO	Product Name	P. Code
1	UPPER CASTING SHAFT	YTL-KNX.PG7-KS-0002
2	CLEANING SHAFT	ARA-KNX.SNC-0027
3	495*226 MM CASTING GRILL	M.AKS-DKM-LVT-004
4	LARGE LAV STONE	M.TAS-LAV-007
5	STONE CASTING	M.AKS-DKM-LVT-001
6	PLATINUM	ARA-KNX.SNC-0029
7	DISCHARGE PROFILE	ARA-KNX.SNC-0002
8	CASTING FRAME	ARA-KNX.SNC-0028
9	CHROME BURNER 180*320 MM	M.GAZ-BRL-SMC-004
10	3/8*1/4 BURNER INLET	M.GAZ-TES-SRI-011
11	TWO FALSE PILOT GROUPS	M.GAZ-PLT-PLC-002
12	M8*1200 THERMOELEMENT NO:18	M.GAZ-TRL-003
13	BURNING SECTION SHEET	YSC-KNX.SNC-PN-0128
14	BURNING SECTION INSULATION FRONT SHEET	YSC-KNX.SNC-PN-0033
15	OIL SLIDE SHEET	YSC-KNX.SNC-PN-0120
16	DRAWER	ARA-KNX.SNC-0001
17	TICKET	JP.M.AKS-OZL-MTL-001
18	PIOZE LIGHTER Ø:18	M.GAZ-CKM-PIEZ-001
19	BUTTON	M.AKS-DGM-EMP-024
20	BUTTON BUFFER	M.AKS-DGM-EMP-016
21	BUTTON SOCKET 8 MM	M.AKS-DGM-SKT-001
22	FRONT PANEL	YSC-KNX.SNC-LZ-0160
23	CABLE 500MM	M.GAZ-CKM-KBL-004
24	M4 FRAME SPRING	M.YAY-PG-004
25	GAS VALVE M8 THREADED	M.GAZ-VNA-ECA-002
26	GAS TANK	M.GAZ-DPO-SNC-010
27	FLEXIABLE GAS PIPEØ10 MM 40 CM 3/8	M.GAZ-TES-SPR-014
28	PILOT 0.25 SHORT LPG INJECTOR	M.GAZ-ENJ-PLT-001
29	FLEXIABLE GAS PIPEØ 6 MM 35 CM	M.GAZ-TES-SPR-024
30	INJECTOR M6*0.75 Ø1.20 MM	M.GAZ-ENJ-NG-002
31	INJECTOR M6*0.75 Ø1.90 MM	M.GAZ-ENJ-NG-003
32	CHASSIS	-
33	M10*35 FOOT	JP.M.AKS-AYK-PLS-002
34	REAR BOTTOM SHEET	YSC-KNX.SNC-PN-0122
35	NUT	M.TRN-KNX-PG7-004
36	BRACKET	JP.M.GAZ-TES-GLV-002
37	REAR TOP SHEET	YSC-KNX.SNC-PN-0121

## I SPARE PART LIST-EXPLODING DRAWIN



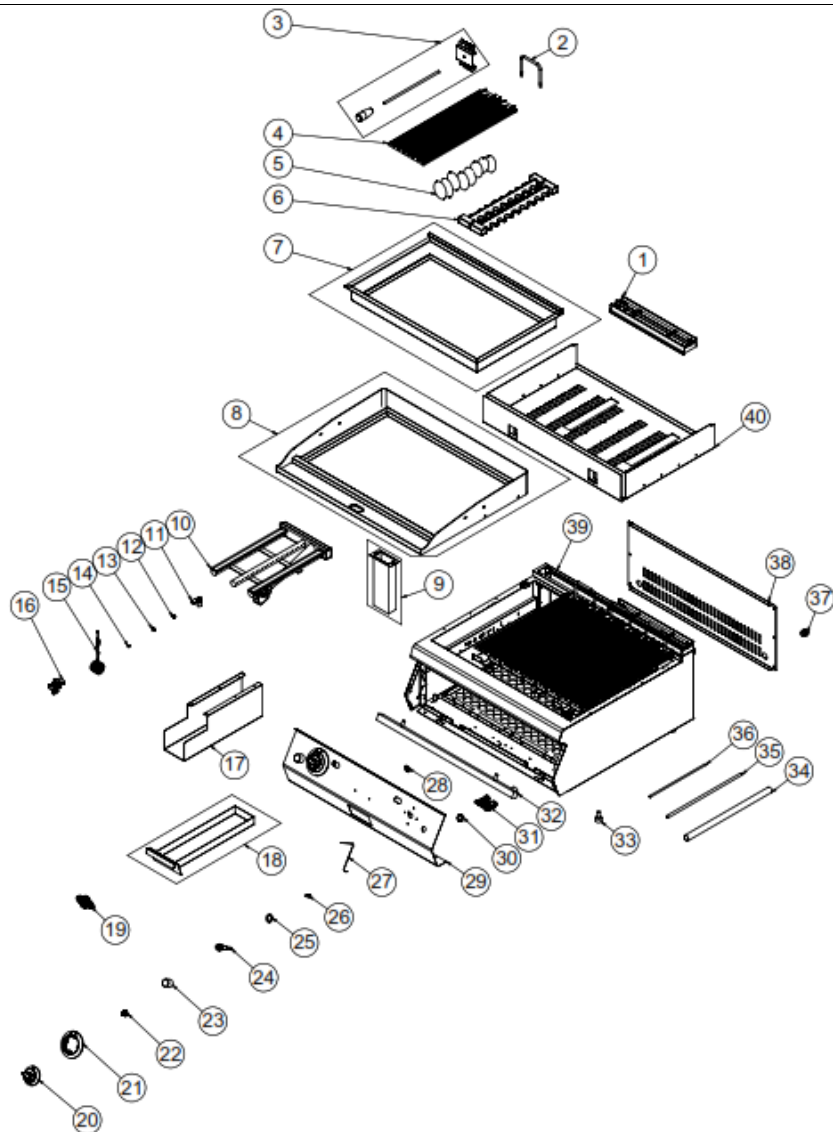
EMP.PLS.7LG010

# GAS LAVASTONE GRILLS

## I SPARE PART LIST-EXPLODING DRAWIN

Product Code : EMP.PLS.7LG10		
NO	Product Name	P. Code
1	40 CM X 7 CM CHIMNEY	JP.M.AKS-DKM-KZN-013
2	UPPER CASTING SHAFT	YTL-KNX.PG7-KS-0002
3	CLEANING SHAFT	ARA-KNX.PG7-0040
4	49.5*18.5 CASTING GRILL	M.AKS-DKM-SLU-002
5	LARGE LAV STONE	M.TAS-LAV-007
6	STONE CASTING	M.AKS-DKM-LVT-002
7	PLATINUM	ARA-KNX.PG7-0003
8	PROFILE	ARA-KNX.PG7-0002
9	3 BURNER	M.GAZ-BRL-SMC-027
10	3/8*1/4 BURNER INLET	M.GAZ-TE-SRI-011
11	PILOT 0.25 SHORT LPG INJECTOR	M.GAZ-ENJ-PLT-001
12	INJECTOR M6*0,75 Ø2.20 MM.	M.GAZ-ENJ-LPG-003
13	INJECTOR M6*0.75 Ø1.30 MM.	M.GAZ-ENJ-LPG-006
14	M8*1200 THERMOELEMENT NO:18	M.GAZ-TRL-003
15	TWO FALSE PILOT GROUPS	M.GAZ-PLT-PLC-002
16	SLIDE SHEET	YSC-KNX.PG7-PN-0582
17	DRAWER	ARA-KNX.PG7-0001
18	TICKET	M.AKS-OZL-MTL-006
19	BUTTON	M.AKS-DGM-EMP-024
20	BUTTON BUFFER	M.AKS-DGM-EMP-016
21	BUTTON SOCKET 8 MM	M.AKS-DGM-SKT-001
22	LIGHTER GUARD	M.GAZ-PIEZ-KRM
23	PIOZE LIGHTER Ø:18	M.GAZ-CKM-PIEZ-001
24	LIGHTER WASHER	YSC-KNX.PG7-LZ-0557
25	M4 FRAME SPRING	M.YAY-PG-004
26	CABLE 500MM	M.GAZ-CKM-KBL-004
27	FRONT PANEL	YSC-KNX.PG7-LZ-1003
28	GASKET	M.CNT-PLS-KLN-002
29	NUT	M.TRN-KNX-PG7-004
30	GAS VALVE M8 THREADED	M.GAZ-VNA-ECA-002
31	GAS TANK	M.GAZ-DPO-PG-042
32	M10*35 FOOT	JP.M.AKS-AYK-PLS-002
33	1/2 -1/2 80 CM GAS FLEX	M.GAZ-TE-SPR-009
34	FLEXIABLE GAS PIPEØ10 MM 40 CM 3/8	M.GAZ-TE-SPR-014
35	GAS FLEX 40 CM Ø6 MM	M.GAZ-TE-SPR-033
36	CONNECTION 1/2	JP.M.MEK-TE-SRI-014
37	BACK SHEET METAL	YSC-KNX.PG7-PN-0808
38	CHASSIS	-
39	FRAME	ARA-KNX.PG7-0004
40	BURNING SECTION SHEET	YSC-KNX.PG7-PN-0862

## I SPARE PART LIST-EXPLODING DRAWIN



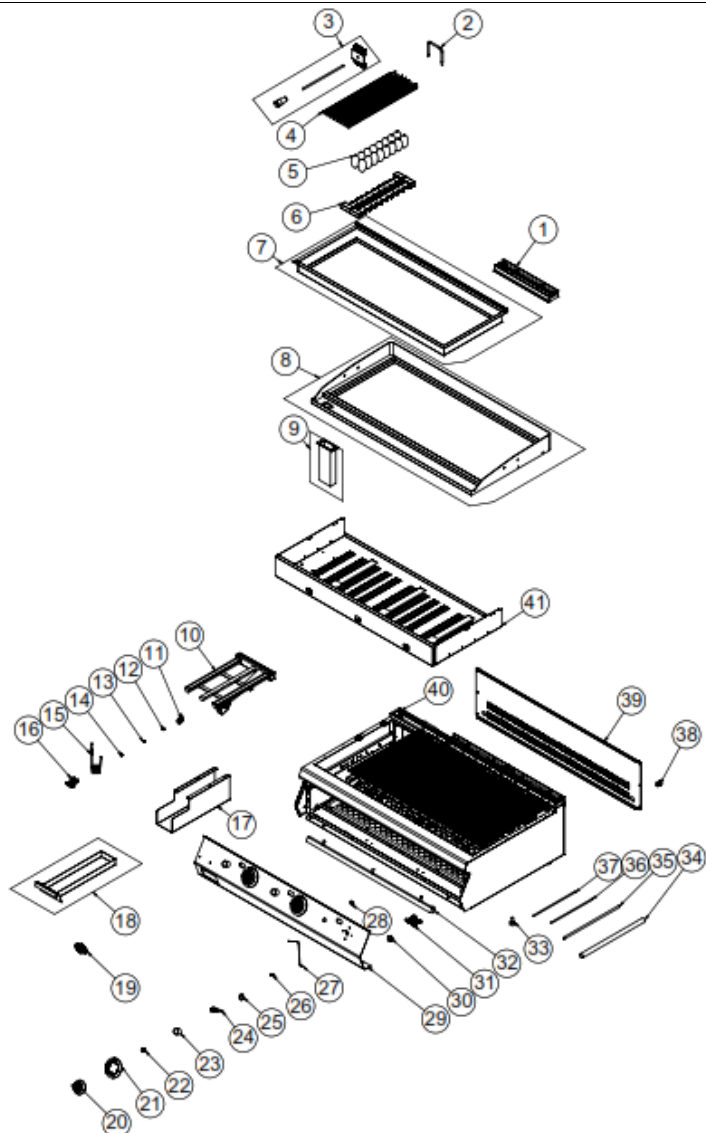
EMP.PLS.7LG020

# GAS LAVASTONE GRILLS

## I SPARE PART LIST-EXPLODING DRAWIN

Product Code : EMP.PLS.7LG020		
NO	Product Name	P. Code
1	40 CM X 7 CM CHIMNEY	JP.M.AKS-DKM-KZN-013
2	UPPER CASTING SHAFT	YTL-KNX.PG7-KS-0002
3	CLEANING SHAFT	ARA-KNX.PG7-0040
4	49.5*18.5 CASTING GRILL	M.AKS-DKM-SLU-002
5	LARGE LAV STONE	M.TAS-LAV-007
6	STONE CASTING	M.AKS-DKM-LVT-002
7	FRAME	ARA-KNX.PG7-0006
8	PLATINUM	ARA-KNX.PG7-0005
9	PROFILE	ARA-KNX.PG7-0002
10	3 BURNER	M.GAZ-BRL-SMC-027
11	3/8*1/4 BURNER INLET	M.GAZ-TES-SRI-011
12	INJECTOR M6*0,75 Ø2.20 MM.	M.GAZ-ENJ-LPG-003
13	INJECTOR M6*0.75 Ø1.30 MM.	M.GAZ-ENJ-LPG-006
14	PILOT 0.25 SHORT LPG INJECTOR	M.GAZ-ENJ-PLT-001
15	M8*1200 THERMOELEMENT NO:18	M.GAZ-TRL-003
16	TWO FALSE PILOT GROUPS	M.GAZ-PLT-PLC-002
17	SLIDE SHEET	YSC-KNX.PG7-PN-0582
18	DRAWER	ARA-KNX.PG7-0001
19	TICKET	M.AKS-OZL-MTL-006
20	BUTTON	M.AKS-DGM-EMP-024
21	BUTTON BUFFER	M.AKS-DGM-EMP-016
22	BUTTON SOCKET 8 MM	M.AKS-DGM-SKT-001
23	LIGHTER GUARD	M.GAZ-PIEZ-KRM
24	PIOZE LIGHTER Ø:18	M.GAZ-CKM-PIEZ-001
25	LIGHTER WASHER	YSC-KNX.PG7-LZ-0557
26	M4 FRAME SPRING	M.YAY-PG-004
27	CABLE 500MM	M.GAZ-CKM-KBL-004
28	GASKET	M.CNT-PLS-KLN-002
29	FRONT PANEL	YSC-KNX.PG7-LZ-1004
30	NUT	M.TRN-KNX-PG7-004
31	GAS VALVE M8 THREADED	M.GAZ-VNA-ECA-002
32	GAS TANK	M.GAZ-DPO-PG-043
33	M10*35 FOOT	JP.M.AKS-AYK-PLS-002
34	1/2 -1/2 80 CM GAS FLEX	M.GAZ-TES-SPR-009
35	FLEXIBLE GAS PIPEØ10 MM 40 CM 3/8	M.GAZ-TES-SPR-014
36	GAS FLEX 40 CM Ø6 MM	M.GAZ-TES-SPR-033
37	CONNECTION 1/2	JP.M.MEK-TES-SRI-014
38	BACK SHEET METAL	YSC-KNX.PG7-PN-0809
39	CHASSIS	-
40	BURNING SECTION SHEET	YSC-KNX.PG7-PN-0863

## I SPARE PART LIST-EXPLODING DRAWIN



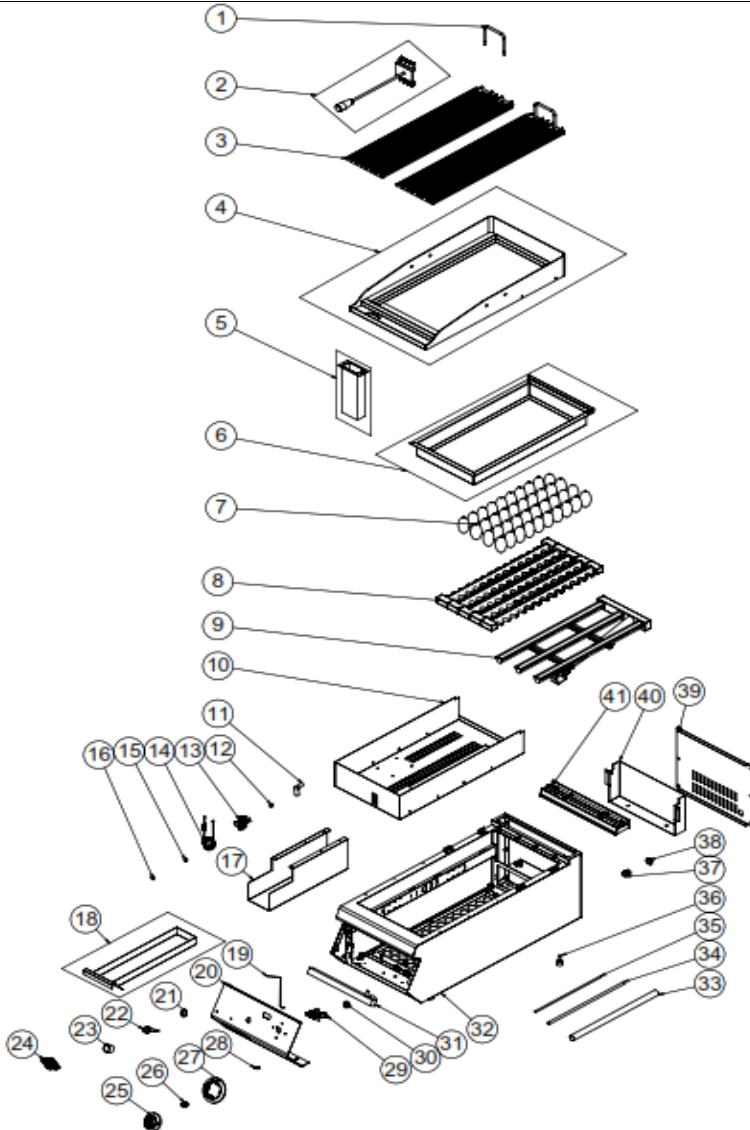
EMP.PLS.7LG030

# GAS LAVASTONE GRILLS

## I SPARE PART LIST-EXPLODING DRAWIN

Product Code : EMP.PLS.7LG030		
NO	Product Name	P. Code
1	40 CM X 7 CM CHIMNEY	JP.M.AKS-DKM-KZN-013
2	UPPER CASTING SHAFT	YTL-KNX.PG7-KS-0002
3	CLEANING SHAFT	ARA-KNX.PG7-0040
4	49.5*18.5 CASTING GRILL	M.AKS-DKM-SLU-002
5	LARGE LAV STONE	M.TAS-LAV-007
6	STONE CASTING	M.AKS-DKM-LVT-002
7	FRAME	ARA-KNX.PG7-0008
8	PLATINUM	ARA-KNX.PG7-0007
9	PROFILE	ARA-KNX.PG7-0002
10	3 BURNER	M.GAZ-BRL-SMC-027
11	3/8*1/4 BURNER INLET	M.GAZ-TES-SRI-011
12	INJECTOR M6*0,75 Ø2.20 MM.	M.GAZ-ENJ-LPG-003
13	PILOT 0.25 SHORT LPG INJECTOR	M.GAZ-ENJ-PLT-001
14	INJECTOR M6*0.75 Ø1.30 MM.	M.GAZ-ENJ-LPG-006
15	M8*1200 THERMOELEMENT NO:18	M.GAZ-TRL-003
16	TWO FALSE PILOT GROUPS	M.GAZ-PLT-PLC-002
17	SLIDE SHEET	YSC-KNX.PG7-PN-0582
18	DRAWER	ARA-KNX.PG7-0001
19	TICKET	M.AKS-OZL-MTL-006
20	BUTTON	M.AKS-DGM-EMP-024
21	BUTTON BUFFER	M.AKS-DGM-EMP-016
22	BUTTON SOCKET 8 MM	M.AKS-DGM-SKT-001
23	LIGHTER GUARD	M.GAZ-PIEZ-KRM
24	PIOZE LIGHTER Ø:18	M.GAZ-CKM-PIEZ-001
25	LIGHTER WASHER	YSC-KNX.PG7-LZ-0557
26	M4 FRAME SPRING	M.YAY-PG-004
27	CABLE 500MM	M.GAZ-CKM-KBL-004
28	GASKET	M.CNT-PLS-KLN-002
29	FRONT PANEL	YSC-KNX.PG7-LZ-1005
30	NUT	M.TRN-KNX-PG7-004
31	GAS VALVE M8 THREADED	M.GAZ-VNA-ECA-002
32	GAS TANK	M.GAZ-DPO-PG-096
33	M10*35 FOOT	JP.M.AKS-AYK-PLS-002
34	1/2 -1/2 80 CM GAS FLEX	M.GAZ-TES-SPR-009
35	GAZ FLEKSI Ø6 MM 50 CM	M.GAZ-TES-SPR-034
36	FLEXIABLE GAS PIPEØ10 MM 40 CM 3/8	M.GAZ-TES-SPR-014
37	GAS FLEX 40 CM Ø6 MM	M.GAZ-TES-SPR-033
38	CONNECTION 1/2	JP.M.MEK-TES-SRI-014
39	BACK SHEET METAL	YSC-KNX.PG7-PN-0792
40	CHASSIS	-
41	BURNING SECTION SHEET	YSC-KNX.PG7-PN-0864

## I SPARE PART LIST-EXPLODING DRAWIN



**EMP.PLS.9LG010**

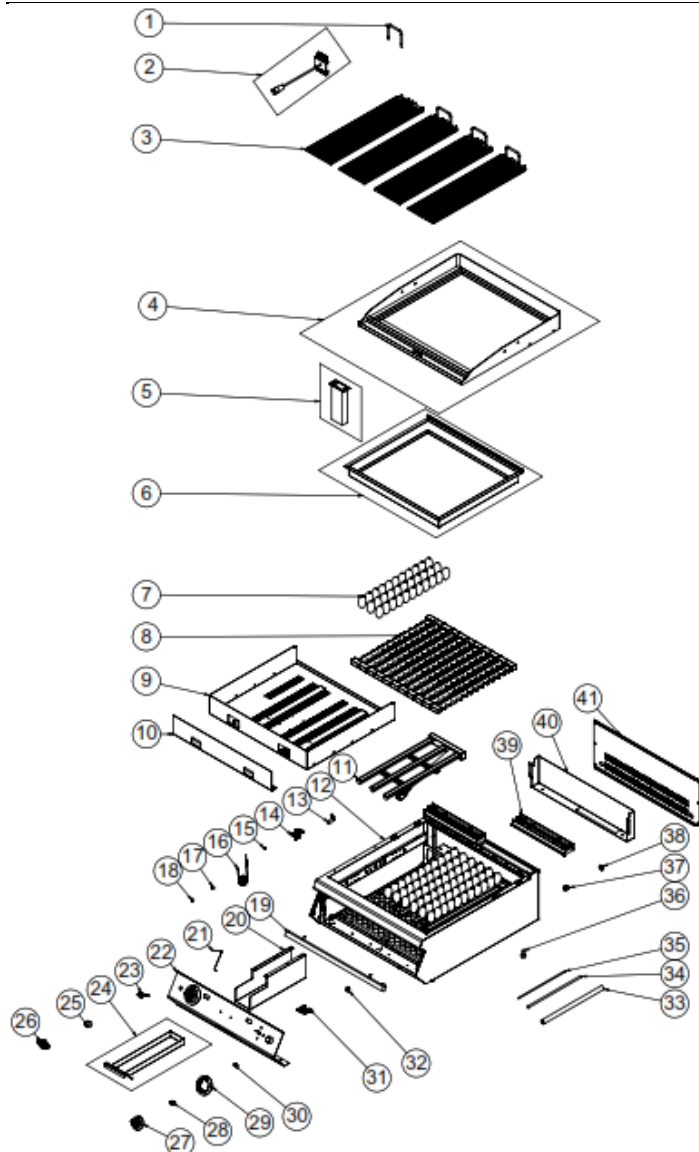


# GAS LAVASTONE GRILLS

## I SPARE PART LIST-EXPLODING DRAWIN

Product Code : EMP.PLS.9LG010		
NO	Product Name	P. Code
1	UPPER CASTING SHAFT	YTL-KNX.PG7-KS-0002
2	CLEANING SHAFT	ARA-KNX.PG7-0040
3	67*18.5 CASTING GRILL	M.AKS-DKM-SLU-001
4	PLATINUM	ARA-KNX.PG9-0031
5	PROFILE	ARA-KNX.PG7-0002
6	FRAME	ARA-KNX.PG9-0030
7	LARGE LAV STONE	M.TAS-LAV-007
8	STONE CASTING	M.AKS-DKM-LVT-003
9	3 BURNER	M.GAZ-BRL-SMC-029
10	COMBUSTION SECTION	YSC-KNX.PG9-PN-0642
11	3/8*1/4 BURNER INLET	M.GAZ- TES-SRI-011
12	PILOT 0.25 SHORT LPG INJECTOR	M.GAZ-ENJ-PLT-001
13	TWO FALSE PILOT GROUPS	M.GAZ-PLT-PLC-002
14	M8*1200 THERMOELEMENT NO:18	M.GAZ-TRL-003
15	INJECTOR M6*0.75 Ø2.40 MM.	M.GAZ-ENJ-LPG-009
16	INJECTOR M6*0.75 Ø1,60 MM	M.GAZ-ENJ-NG-004
17	SLIDE SHEET	YSC-KNX.PG7-PN-0582
18	DRAWER	ARA-KNX.PG9-0010
19	CABLE 500MM	M.GAZ-CKM-KBL-004
20	FRONT PANEL	YSC-KNX.PG9-LZ-0977
21	LIGHTER WASHER	YSC-KNX.PG7-LZ-0557
22	PIOZE LIGHTER Ø:18	M.GAZ-CKM-PIEZ-001
23	LIGHTER GUARD	M.GAZ--PIEZ-KRM
24	TICKET	M.AKS-OZL-MTL-006
25	BUTTON	M.AKS-DGM-EMP-024
26	BUTTON SOCKET 8 MM	M.AKS-DGM-SKT-001
27	BUTTON BUFFER	M.AKS-DGM-EMP-016
28	M4 FRAME SPRING	M.YAY-PG-004
29	GAS VALVE M8 THREADED	M.GAZ-VNA-ECA-002
30	GASKET	M.CNT-PLS-KLN-002
31	GAS TANK	M.GAZ-DPO-PG-042
32	CHASSIS	-
33	1/2 -1/2 80 CM GAS FLEX	M.GAZ- TES-SPR-009
34	FLEXIBLE GAS PIPEØ10 MM 40 CM 3/8	M.GAZ- TES-SPR-014
35	GAS FLEX 40 CM Ø6 MM	M.GAZ- TES-SPR-033
36	M10*35 FOOT	JP.M.AKS-AYK-PLS-002
37	CONNECTION 1/2	JP.M.MEK- TES-SRI-014
38	NUT	M.TRN-KNX-PG7-004
39	BACK SHEET METAL	YSC-KNX.PG7-PN-0808
40	CHIMNEY SHEET	YSC-KNX.PG7-PN-0408
41	40 CM X 7 CM CHIMNEY	JP.M.AKS-DKM-KZN-013

## I SPARE PART LIST-EXPLODING DRAWIN



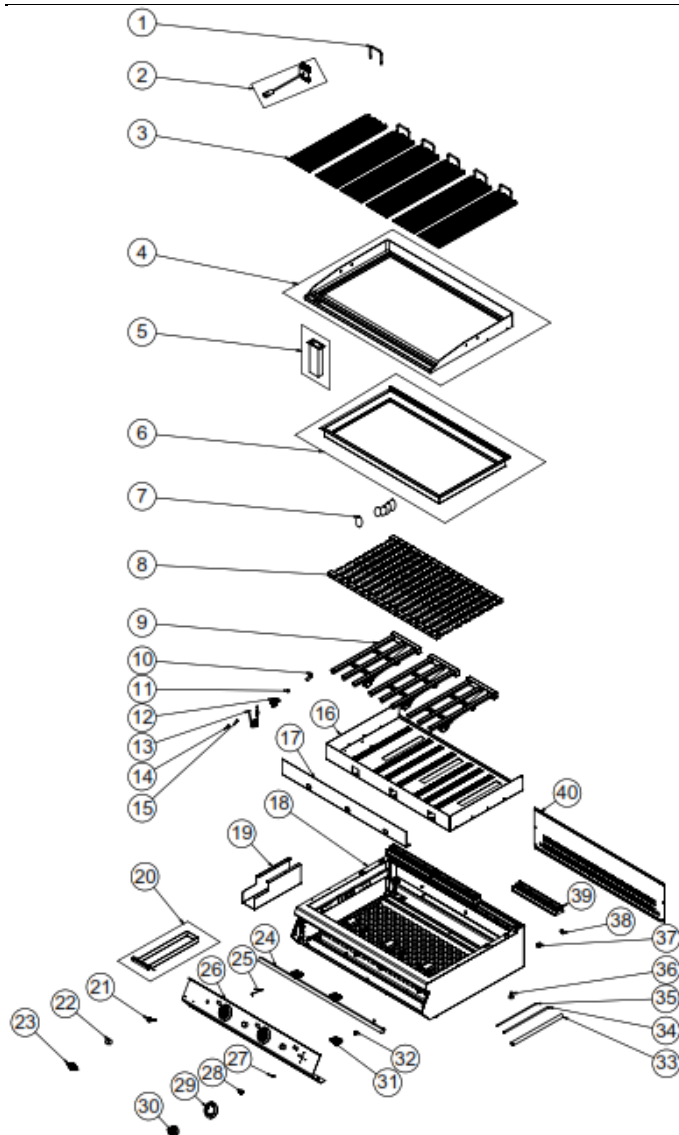
**EMP.PLS.9LG020**

# GAS LAVASTONE GRILLS

## I SPARE PART LIST-EXPLODING DRAWIN

Product Code : EMP.PLS.9LG020		
NO	Product Name	P. Code
1	UPPER CASTING SHAFT	YTL-KNX.PG7-KS-0002
2	CLEANING SHAFT	ARA-KNX.PG7-0040
3	67*18.5 CASTING GRILL	M.AKS-DKM-SLU-001
4	PLATINUM	ARA-KNX.PG9-0033
5	PROFILE	ARA-KNX.PG7-0002
6	FRAME	ARA-KNX.PG9-0032
7	LARGE LAV STONE	M.TAS-LAV-007
8	STONE CASTING	M.AKS-DKM-LVT-003
9	COMBUSTION SECTION	YSC-KNX.PG9-PN-0643
10	PRE-INSULATING SHEET	YSC-KNX.PG7-PN-0432
11	3 BURNER	M.GAZ-BRL-SMC-029
12	CHASSIS	-
13	3/8*1/4 BURNER INLET	M.GAZ-TES-SRI-011
14	TWO FALSE PILOT GROUPS	M.GAZ-PLT-PLC-002
15	PILOT 0.25 SHORT LPG INJECTOR	M.GAZ-ENJ-PLT-001
16	M8*1200 THERMOELEMENT NO:18	M.GAZ-TRL-003
17	INJECTOR M6*0.75 Ø2.40 MM.	M.GAZ-ENJ-LPG-009
18	INJECTOR M6*0.75 Ø1,60 MM	M.GAZ-ENJ-NG-004
19	GAS TANK	M.GAZ-DPO-PG-043
20	SLIDE SHEET	YSC-KNX.PG7-PN-0582
21	CABLE 500MM	M.GAZ-CKM-KBL-004
22	FRONT PANEL	YSC-KNX.PG9-LZ-0978
23	PIOZE LIGHTER Ø:18	M.GAZ-CKM-PIEZ-001
24	DRAWER	ARA-KNX.PG9-0010
25	LIGHTER GUARD	M.GAZ--PIEZ-KRM
26	TICKET	M.AKS-OZL-MTL-006
27	BUTTON	M.AKS-DGM-EMP-024
28	BUTTON SOCKET 8 MM	M.AKS-DGM-SKT-001
29	BUTTON BUFFER	M.AKS-DGM-EMP-016
30	M4 FRAME SPRING	M.YAY-PG-004
31	GAS VALVE M8 THREADED	M.GAZ-VNA-ECA-002
32	GASKET	M.CNT-PLS-KLN-002
33	1/2 -1/2 80 CM GAS FLEX	M.GAZ-TES-SPR-009
34	FLEXIABLE GAS PIPEØ10 MM 40 CM 3/8	M.GAZ-TES-SPR-014
35	GAS FLEX 40 CM Ø6 MM	M.GAZ-TES-SPR-033
36	M10*35 FOOT	JP.M.AKS-AYK-PLS-002
37	CONNECTION 1/2	JP.M.MEK-TES-SRI-014
38	NUT	M.TRN-KNX-PG7-004
39	40 CM X 7 CM CHIMNEY	JP.M.AKS-DKM-KZN-013
40	COMBUSTION SECTION CHIMNEY SHEET	YSC-KNX.PG7-PN-0679
41	BACK SHEET METAL	YSC-KNX.PG7-PN-0809

## I SPARE PART LIST-EXPLODING DRAWIN



**EMP.PLS.9LG030**

# GAS LAVASTONE GRILLS

## I SPARE PART LIST-EXPLODING DRAWIN

Product Code : EMP.PLS.9LG030		
NO	Product Name	P. Code
1	UPPER CASTING SHAFT	YTL-KNX.PG7-KS-0002
2	CLEANING SHAFT	ARA-KNX.PG7-0040
3	67*18.5 CASTING GRILL	M.AKS-DKM-SLU-001
4	PLATINUM	ARA-KNX.PG9-0035
5	PROFILE	ARA-KNX.PG7-0002
6	FRAME	ARA-KNX.PG9-0034
7	LARGE LAV STONE	M.TAS-LAV-007
8	STONE CASTING	M.AKS-DKM-LVT-003
9	3 BURNER	M.GAZ-BRL-SMC-029
10	3/8*1/4 BURNER INLET	M.GAZ-TE-SRI-011
11	PILOT 0.25 SHORT LPG INJECTOR	M.GAZ-ENJ-PLT-001
12	TWO FALSE PILOT GROUPS	M.GAZ-PLT-PLC-002
13	M8*1200 THERMOELEMENT NO:18	M.GAZ-TRL-003
14	INJECTOR M6*0.75 Ø2.40 MM.	M.GAZ-ENJ-LPG-009
15	INJECTOR M6*0.75 Ø1,60 MM	M.GAZ-ENJ-NG-004
16	COMBUSTION SECTION	YSC-KNX.PG9-PN-0644
17	BURNING SECTION INSULATION FRONT SHEET	YSC-KNX.PG7-PN-0752
18	CHASSIS	-
19	SLIDE SHEET	YSC-KNX.PG7-PN-0582
20	DRAWER	ARA-KNX.PG9-0010
21	PIOZE LIGHTER Ø:18	M.GAZ-CKM-PIEZ-001
22	LIGHTER GUARD	M.GAZ--PIEZ-KRM
23	TICKET	M.AKS-OZL-MTL-006
24	GAS TANK	M.GAZ-DPO-PG-096
25	CABLE 500MM	M.GAZ-CKM-KBL-004
26	FRONT PANEL	YSC-KNX.PG9-LZ-0979
27	M4 FRAME SPRING	M.YAY-PG-004
28	BUTTON SOCKET 8 MM	M.AKS-DGM-SKT-001
29	BUTTON BUFFER	M.AKS-DGM-EMP-016
30	BUTTON	M.AKS-DGM-EMP-024
31	GAS VALVE M8 THREADED	M.GAZ-VNA-ECA-002
32	GASKET	M.CNT-PLS-KLN-002
33	1/2 -1/2 80 CM GAS FLEX	M.GAZ-TE-SPR-009
34	FLEXIABLE GAS PIPEØ10 MM 40 CM 3/8	M.GAZ-TE-SPR-014
35	GAS FLEX 40 CM Ø6 MM	M.GAZ-TE-SPR-033
36	M10*35 FOOT	JP.M.AKS-AYK-PLS-002
37	CONNECTION 1/2	JP.M.MEK-TE-SRI-014
38	NUT	M.TRN-KNX-PG7-004
39	40 CM X 7 CM CHIMNEY	JP.M.AKS-DKM-KZN-013
40	BACK SHEET METAL	YSC-KNX.PG7-PN-0792