



# PLUS OVENS - GAS

## CONTENTS

---

<b>A</b>	<b>GENERAL INFORMATION .....</b>	<b>Page</b>	<b>2</b>
A1	PRODUCT DESCRIPTION.....	Page	3
A2	TECHNICAL INFORMATION .....	Page	3
A3	TRANSPORTATION.....	Page	4
A4	UNPACKING .....	Page	4
<b>B</b>	<b>INSTALLATION .....</b>	<b>Page</b>	<b>4</b>
<b>C</b>	<b>SAFETY INSTRUCTIONS .....</b>	<b>Page</b>	<b>5</b>
<b>D</b>	<b>OPERATION .....</b>	<b>Page</b>	<b>6</b>
<b>E</b>	<b>CLEANING &amp; MAINTENANCE.....</b>	<b>Page</b>	<b>7</b>
<b>F</b>	<b>TROUBLESHOOTING .....</b>	<b>Page</b>	<b>8</b>
<b>G</b>	<b>INJECTOR CHANGE AND GAS SETTING.....</b>	<b>Sayfa</b>	<b>9</b>
<b>H</b>	<b>GAS CONNECTION IMAGES .....</b>	<b>Sayfa</b>	<b>10</b>
<b>I</b>	<b>SPARE PART LIST- EXPLODING DRAWING .....</b>	<b>Sayfa</b>	<b>11</b>

## A GENERAL INFORMATION

---

Before installing the appliance, read operation and maintenance instructions carefully. Wrong installation and part changing may damage the product or may cause injury on people. These are not in our company's responsibility to damage the appliance intentionally, negligence, detriments because of disobeying instructions and regulations, wrong connections. Unauthorized intervention to appliance invalidates the warranty.

1. This instruction manual should be kept in a safe place for future reference.
2. **Installation should be made in accordance with ordinances and security rules of that country by a qualified service personnel.**
3. This appliance has to be used by trained person.
4. Please turn off the appliance immediately in the event of malfunction or failure. The appliance should be repaired only by authorized service personnel. Please demand original spare part.

# PLUS OVENS - GAS

## A1 PRODUCT DESCRIPTION

\* This product is a Ovens – Gas that provides high efficiency has been designed to be used in industrial kitchens.

Product Code	Model	Dimensions (mm)	Weight (kg)	Packaging Dimensions (mm)
EMP.PLS.7FRG01	Plus Ovens – Gas	800X620X550	71	900x850x620
EMP.PLS.7FRG02	Plus Ovens – Gas	1200X620X550	83	1300x950x620
EMP.PLS.7FRG03	Plus Ovens – Gas	1200X620X550	105	1300x950x620
EMP.PLS.9FRG01	Plus Ovens – Gas	800X790X550	78	1000x900x620
EMP.PLS.9FRG02	Plus Ovens – Gas	1200X790X550	93	1280x1000x620
EMP.PLS.9FRG03	Plus Ovens – Gas	1200X790X550	113	1280x1000x620

## A2 TECHNICAL INFORMATION

Product Code	Power	Gas Consumption m <sup>3</sup> /h (NG)	Power	Gas Consumption kg/h (LPG)	Capacity
	NG (KW)		LPG (KW)		
EMP.PLS.7FRG01	6,46	0,68	5,58	0,43	2xGN 2/1
EMP.PLS.7FRG02	6,46	0,68	5,58	0,43	2xGN 2/1
EMP.PLS.7FRG03	12,93	1,36	11,15	0,87	2xGN 2/1
EMP.PLS.9FRG01	6,46	0,68	5,58	0,43	2xGN 2/1
EMP.PLS.9FRG02	6,46	0,68	5,58	0,43	2xGN 2/1
EMP.PLS.9FRG03	12,93	1,36	11,15	0,87	2xGN 2/1

## A3 TRANSPORTATION

\* This appliance can not be moved by hand from area to area. Therefore Use a hauling truck (forklift or pallet jack) to move the appliance. ( The lifting arms of the of forklift or pallet jack must reach up to more than half part of t appliance underneath.

## A4 UNPACKING

---

\*Please unpack the package according to the security codes and ordinances of current country and get rid from the pack. Parts which contacts with food are produced by stainless steel. All plastic parts are marked by material's symbol.

\*Please check that all the parts of appliance had come completely and if they are damaged or not during the shipping.

## B INSTALLATION

---

\*Please place the product to straight and sturdy ground, please take necessary steps against possibility of overturn.

\*Technician who will serve for installation and service for the appliance must be professional on this subject and must have installation and service licenses by the company.

\*Connection to Gas Fitment must be done by authorized person.

\*The area where the appliance is must have enough ventilation and vent-hole.

\*The appliance must be connected correctly according to local and national gas standards of your country.

\*The appliance gas entrances are indicated with "G" label on the body.

\*Connection to gas fitment must be done with suitable diameter metal flex pipe and spheric valve. The spheric valve must be immobilized to a place that is far away from heat and accessible during the danger. After gas entrance connection done, gas leakages must be checked.











\*According to the datas on appliance information plate, gas and pressure must be adjusted. If the gas type that is adjusted is not the suitable with gas type that is at installation place, apply the instructions that is about adjustment of different gas type. (**Event :G**)

\* If the location where gas ranges placed is covered with nonflammable heat insulation material, the distance between them must be 5 cm. Otherwise it should be at least 20 cm. The appliance shouldn't be operated under chimney hood.

# PLUS OVENS - GAS

## C SAFETY INSTRUCTIONS

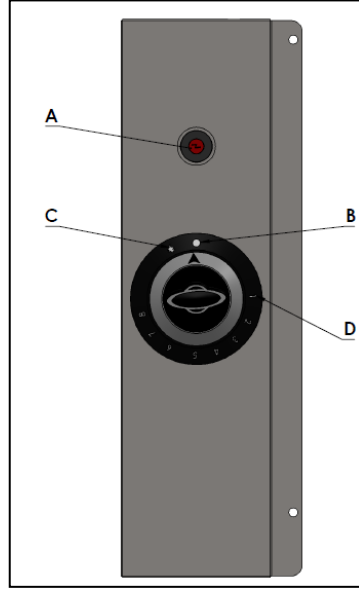
---

-  \*Do not use the appliance in insufficient lighted place.
-  \*Do not touch the moving attachments while the appliance operates.
-  \*Do not install the appliance in the presence of flammable or explosive materials.
-  \*Do not operate the appliance when the machine is empty.
-  \*Do not load so less or more than appliance's capacity.
-  \*Do not attempt to use the appliance without suitable protective equipments.
-  \*Because of any reason if there is a fire or flame flare where the appliance is used,turn off all gas valves and electric contactor switch quickly and use fire extinguisher .Never use water to extinguish the fire.
-  \*If there is gas leakage where the appliance is, .do not fire absolutely and do not use electric.
-  \*Do not work the oven by closing or by disassembling its pipe.
-  \*Definitely do not allow to check the sealing with flame.

## D OPERATION

### \*Control Panel;

- A- Lighter Position
- B- Gas Off Position
- C- Pilot Flame Position
- D- Fire Levels



### \*Operating;

- Lift the front side of the bottom cast of oven
- Press oven gas button and provide the pilot to be in flame position and fire the pilot.
- After the pilot is fired,press the button for a couple seconds (min:10) to heat safety thermocouple's end.
- By turning the button to left side according to the degree of heat on written on scala.
- Brülör primer ve sekonder yanma özelliği sayesinde yüksek yanma veriminin yanında düşük CO2 ve CO atık gaz emisyonu ile dünya standartlarında ve çevrecidir.
- Through Primary and secondary combustion burners feature, it is in world-class and is eco-friendlystandards with the specifications "Hign Burning Efficiency" and "Low Waste Gas Emission" (CO2 and CO).

## PLUS OVENS - GAS

### **E      CLEANING & MAINTENANCE**

---

#### ➤ **CLEANING AND MAINTENANCE AFTER EVERY USE**

- Turn off the gas connection before cleaning.
- Clean the outer surface of the appliance with moist cloth.
- Do not use abrasive cleaning chemicals as these can leave harmful residues.
- Do not wash the appliance with pressure water.
- Do not clean the appliance with a materials that may damage chrome material.
- Wash the baking trays after each use with warm water and dry.

#### ➤ **PERIODIC CLEANING AND MAINTENANCE**

- Maintenance should be done by qualified person.
- These parts ; Gas storage,thermocouples,taps,burner,lighter and spark plug cable are not maintained so they need to be changed when they have error.
- Check the gas connection hoses in periodic time.If there is slit,hole..etc,change the hoses.
- Ventilate the area where the device is in periodic times.



**F TROUBLESHOOTING**

<b>THE APPLIANCE DOESN'T OPERATE</b>	<ol style="list-style-type: none"><li>1. Check if the gas connection is done or not.</li><li>2. If there is no gas entrance to safety and firing part,the appliance is not operated.</li><li>3. If the hoses that have gas entrance lose gas due to slit,hole.etc.,the appliance is not operated.</li></ol>
--------------------------------------	---

<b>THE APPLIANCE DOESN'T COOK WELL</b>	<ol style="list-style-type: none"><li>1. Check if it is operated at suitable gas setting or not.</li><li>2. Do not load so less or more than oven trays' capacity</li><li>3. Check the temperature adjustment of oven.</li></ol>
--	--

<b>THE APPLIANCE STOPPED</b>	<ol style="list-style-type: none"><li>1. When there is gas leakage,if there is solenoid gas stopper alarm,gas flow is stopped and the appliance is not operated.Ventilate the area through the agency of vent-hole.</li></ol>
------------------------------	---

- If cooking at Oven-Gas is not done at suitable quality
- If any function of security doesn't work
- Do not use the appliance.

**\*If these problems are still going on,contact with our authorized services.**



# PLUS OVENS - GAS

## G INJECTOR CHANGE AND GAS SETTING

### BURNER FOR GAS RANGES WITH OVEN - INJECTOR CHANGE CHART

NG / LPG		G20	G25	G30	G31
				30/50 mbar	30/50 mbar
EMP.PLS.7FRG01	Ø mm	Ø 1,90	Ø 1,90	Ø 1,20	Ø 1,20
	X	1x	1x	1x	1x
EMP.PLS.7FRG02	Ø mm	Ø 1,90	Ø 1,90	Ø 1,20	Ø 1,20
	X	1x	1x	1x	1x
EMP.PLS.7FRG03	Ø mm	Ø 1,90	Ø 1,90	Ø 1,20	Ø 1,20
	X	2x	2x	2x	2x
EMP.PLS.9FRG01	Ø mm	Ø 1,90	Ø 1,90	Ø 1,20	Ø 1,20
	X	1x	1x	1x	1x
EMP.PLS.9FRG01	Ø mm	Ø 1,90	Ø 1,90	Ø 1,20	Ø 1,20
	X	1x	1x	1x	1x
EMP.PLS.9FRG01	Ø mm	Ø 1,90	Ø 1,90	Ø 1,20	Ø 1,20
	X	1x	1x	1x	1x

### Change of Oven Injectors;

1. Rip off the screws "F" from the "E" Bottom cast of Oven Lid. (Image 5)
2. Change the Oven injector with the suitable injector according to the gas type that will be used. (Image 6)
3. Change "C" Pilot Flame injector of Oven by paying attention to the datas at chart with suitable injector.  
( Image 3)

H GAS CONNECTION IMAGES

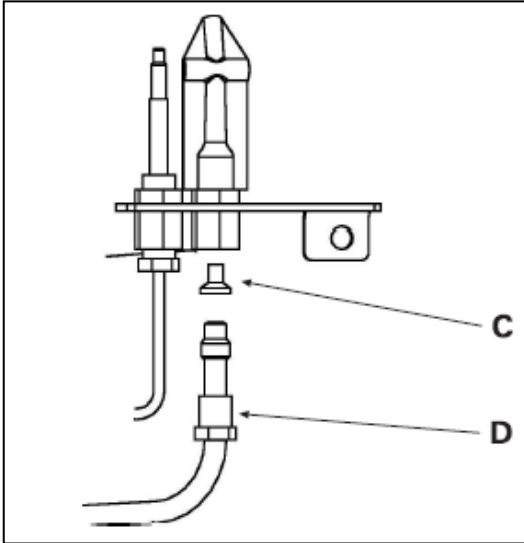


Image 3

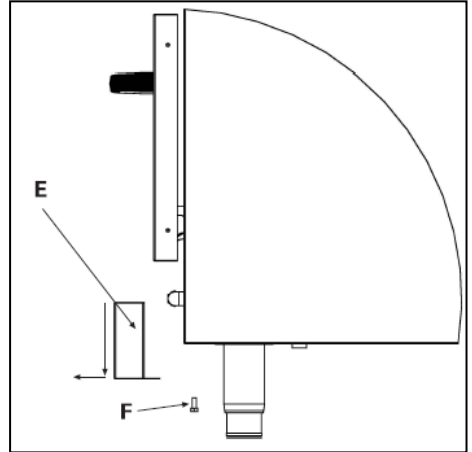


Image 5

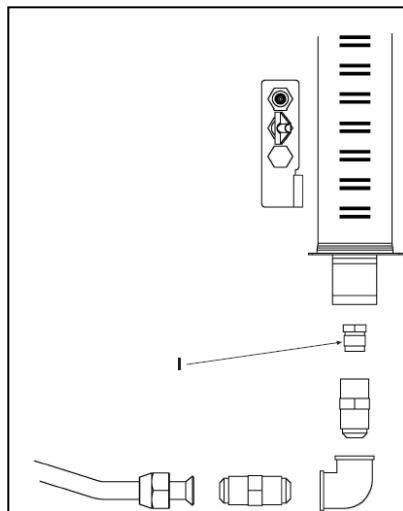
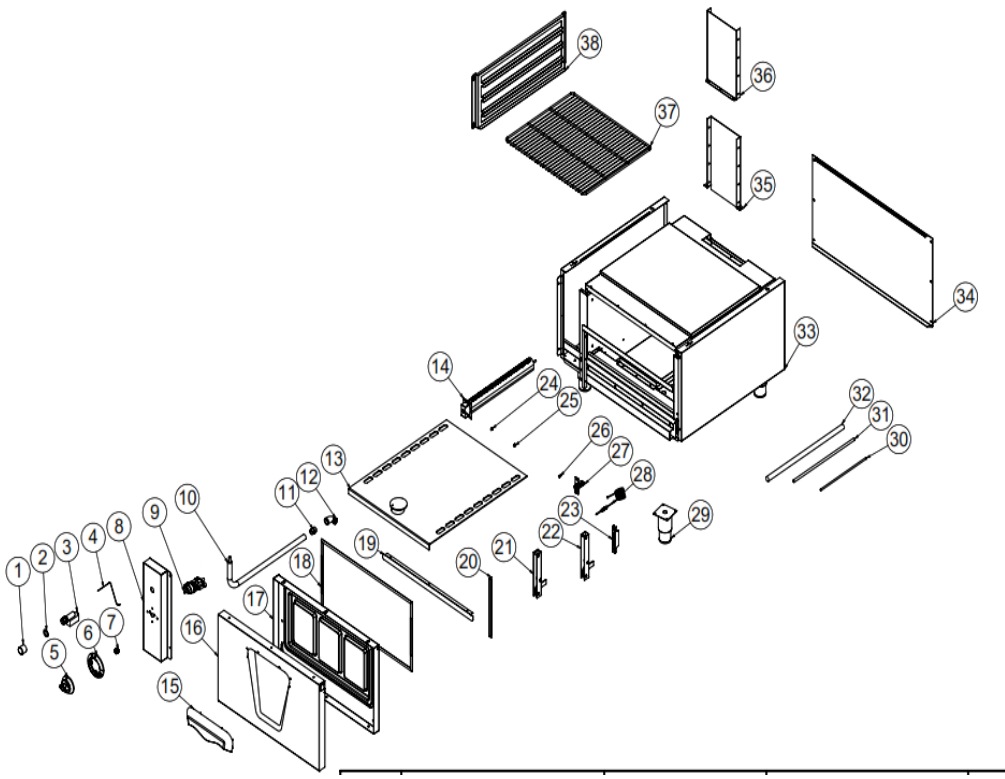


Image 6

# PLUS OVENS - GAS

## I SPARE PART LIST-EXPLODING DRAWING



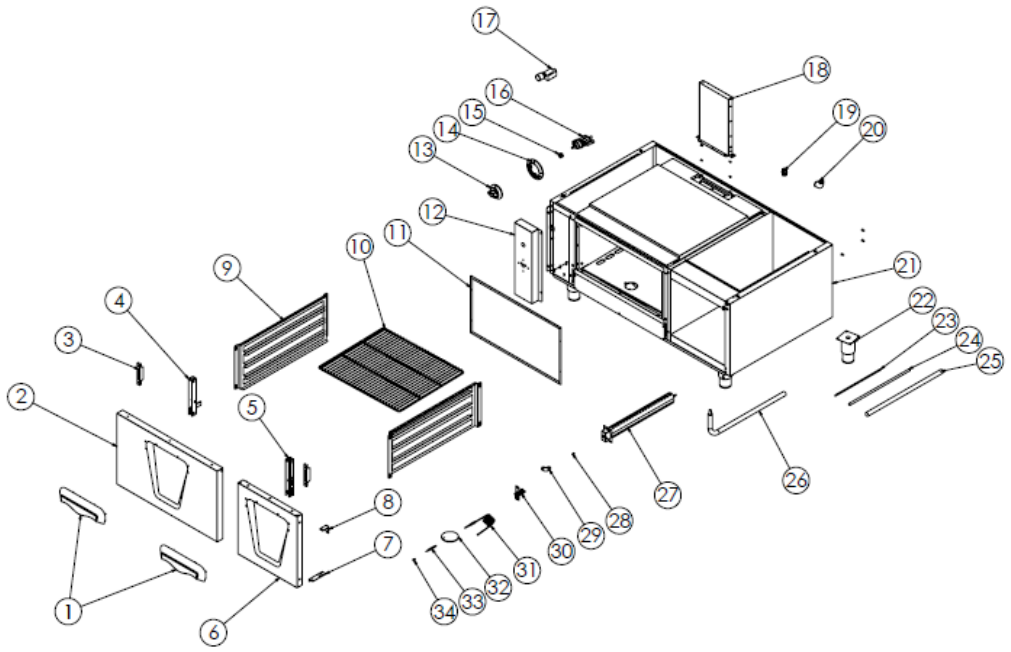
EMP.PLS.7FRG01

**I SPARE PART LIST-EXPLODING DRAWING**

PRODUCT CODE: EMP.PLS.7FRG01		
NO	PRODUCT NAME	P.CODE
1	LIGHTER GUARD	M.GAZ--PIEZ-KRM
2	LIGHTER WASHER	YSC-KNX.PG7-LZ-0557
3	BATTERY LIGHTER	M.GAZ-CKM-PIL-001
4	CABLE 1000MM	M.GAZ-CKM-KBL-002
5	BUTTON	M.AKS-DGM-EMP-024
6	1-8 BUTTON BUMPER	M.AKS-DGM-EMP-020
7	BUTTON SOCKET 8 MM	M.AKS-DGM-SKT-001
8	SIDE COVER SHEET	YSC-KNX.PG7-PN-0492
9	THERMOSTATIC GAS VALVE	M.GAZ-VNA-PEL-001
10	GAS TANK	M.GAZ-DPO-PG-065
11	CONNECTION 1/2	JP.M.MEK-TES-SRI-014
12	ELBOW 16*1.5/1/4	M.GAZ-TES-SRI-021
13	FLOOR SHEET	YSC-KNX.PG7-LZ-0495
14	420 MM ATMOSPHERIC BURNER	M.GAZ-BRL-INX-001
15	HANDLE	M.AKS-KLP-LUX-004
16	COVER SHEET	YSC-KNX.PG7-LZ-0920
17	COVER INTERNAL SHEET	YSC-KNX.PG7-LZ-0694
18	GASKET	HCN-SLK-PG-001
19	UPPER ROVING SHEET	YSC-KNX.PG7-PN-0474
20	SIDE WIRE SHEET	YSC-KNX.PG7-PN-0475
21	HINGE	M.AKS-MNT-KZN-002
22	HINGE	M.AKS-MNT-KZN-003
23	JOINT RESISTANCE	M.AKS-MNT-KZN-004
24	INJECTOR M6*0.75 Ø1.20 MM	M.GAZ-ENJ-NG-002
25	INJECTOR M6*0.75 Ø1.90 MM	M.GAZ-ENJ-NG-003
26	0,30 MM LPG INJECTOR	M.GAZ-ENJ-PLT-002
27	PILOT GROUP TEAM	M.GAZ-PLT-PLT-001
28	M8*1200 THERMOELEMENT NO:18	M.GAZ-TRL-003
29	15 CM LEG	M.AKS-AYK-INX-001
30	GAS FLEX Ø10 MM 60 CM 3/8	M.GAZ-TES-SPR-018
31	GAS FLEX Ø6 MM 60 CM	M.GAZ-TES-SPR-035
32	1/2-1/2 50 CM GAS FLEX PIPE	M.GAZ-TES-SPR-002
33	CHASSIS	-
34	BACK SHEET METAL	YSC-KNX.PG7-LZ-0667
35	CHIMNEY OUTER SHEET	YSC-KNX.PG7-PN-0472
36	CHIMNEY INNER SHEET	YSC-KNX.PG7-PN-0473
37	WIRE SHELF 650*530 MM	M.AKS-SPT-TEL-008
38	SHELF SHEET METAL	YSC-KNX.PG7-LZ-0494

# PLUS OVENS - GAS

## I SPARE PART LIST-EXPLODING DRAWING



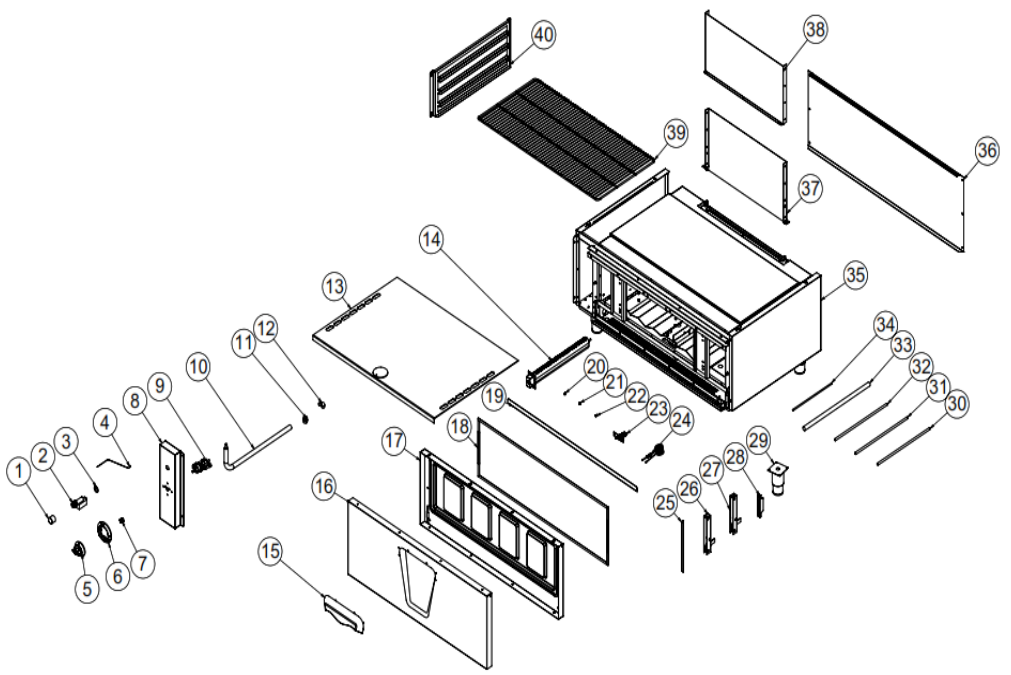
EMP.PLS.7FRG02

**I SPARE PART LIST-EXPLODING DRAWING**

<b>PRODUCT CODE: EMP.PLS.7FRG02</b>		
<b>NO</b>	<b>PRODUCT NAME</b>	<b>P.CODE</b>
1	LIGHTER GUARD	M.GAZ--PIEZ-KRM
2	BATTERY LIGHTER	M.GAZ-CKM-PIL-001
3	LIGHTER WASHER	YSC-KNX.PG7-LZ-0557
4	CABLE 1000MM	M.GAZ-CKM-KBL-002
5	BUTTON	M.AKS-DGM-EMP-024
6	1-8 BUTTON BUMPER	M.AKS-DGM-EMP-020
7	BUTTON SOCKET 8 MM	M.AKS-DGM-SKT-001
8	SIDE COVER SHEET	YSC-KNX.PG7-PN-0492
9	THERMOSTATIC GAS VALVE	M.GAZ-VNA-PEL-001
10	GAS TANK	M.GAZ-DPO-PG-065
11	ELBOW 16*1.5/1/4	M.GAZ-TESS-SRI-021
12	FLOOR SHEET	YSC-KNX.PG7-LZ-0495
13	420 MM ATMOSPHERIC BURNER	M.GAZ-BRL-INX-001
14	HANDLE	M.AKS-KLP-LUX-004
15	COVER SHEET	YSC-KNX.PG7-LZ-0920
16	COVER INTERNAL SHEET	YSC-KNX.PG7-LZ-0694
17	GASKET	HCN-SLK-PG-001
18	UPPER ROVING SHEET	YSC-KNX.PG7-PN-0474
19	COVER OUTER SHEET	YSC-KNX.PG7-LZ-0488
20	COVER INTERNAL SHEET	YSC-KNX.PG7-PN-0456
21	SIDE WIRE SHEET	YSC-KNX.PG7-PN-0475
22	HINGE	M.AKS-MNT-KZN-002
23	HINGE	M.AKS-MNT-KZN-003
24	JOINT RESISTANCE	M.AKS-MNT-KZN-004
25	INJECTOR M6*0.75 Ø1.20 MM	M.GAZ-ENJ-NG-002
26	INJECTOR M6*0.75 Ø1.90 MM	M.GAZ-ENJ-NG-003
27	0,30 MM LPG INJECTOR	M.GAZ-ENJ-PLT-002
28	PILOT GROUP TEAM	M.GAZ-PLT-PLT-001
29	M8*1200 THERMOELEMENT NO:18	M.GAZ-TRL-003
30	15 CM LEG	M.AKS-AYK-INX-001
31	GAS FLEX Ø6 MM 60 CM	M.GAZ-TESS-SPR-035
32	1/2-1/2 50 CM GAS FLEX PIPE	M.GAZ-TESS-SPR-002
33	GAS FLEX Ø10 MM 60 CM 3/8	M.GAZ-TESS-SPR-018
34	CHASSIS	-
35	BACK SHEET METAL	YSC-KNX.PG7-PN-0506
36	CHIMNEY OUTER SHEET	YSC-KNX.PG7-PN-0472
37	CHIMNEY INNER SHEET	YSC-KNX.PG7-PN-0473
38	WIRE SHELF 650*530 MM	M.AKS-SPT-TEL-008
39	SHELF SHEET METAL	YSC-KNX.PG7-LZ-0494

# PLUS OVENS - GAS

## I SPARE PART LIST-EXPLODING DRAWING



EMP.PLS.7FRG03

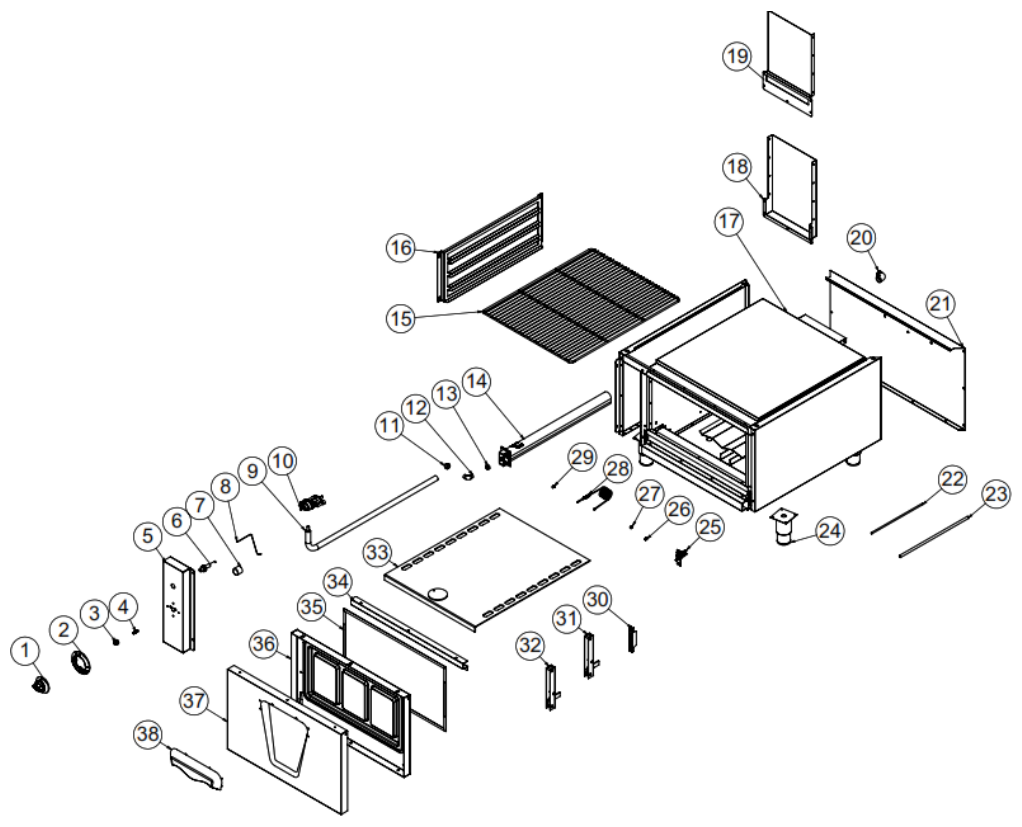
**I SPARE PART LIST-EXPLODING DRAWING**

<b>PRODUCT CODE: EMP.PLS.7FRG03</b>		
<b>NO</b>	<b>PRODUCT NAME</b>	<b>P.CODE</b>
1	LIGHTER GUARD	M.GAZ--PIEZ-KRM
2	BATTERY LIGHTER	M.GAZ-CKM-PIL-001
3	LIGHTER WASHER	YSC-KNX.PG7-LZ-0557
4	CABLE 1000MM	M.GAZ-CKM-KBL-002
5	BUTTON	M.AKS-DGM-EMP-024
6	1-8 BUTTON BUMPER	M.AKS-DGM-EMP-020
7	BUTTON SOCKET 8 MM	M.AKS-DGM-SKT-001
8	SIDE COVER SHEET	YSC-KNX.PG7-PN-0492
9	THERMOSTATIC GAS VALVE	M.GAZ-VNA-PEL-001
10	GAS TANK	M.GAZ-DPO-PG-065
11	CONNECTION 1/2	JP.M.MEK-TEG-SRI-014
12	ELBOW 16*1.5/1/4	M.GAZ-TEG-SRI-021
13	FLOOR SHEET	YSC-KNX.PG7-LZ-0516
14	420 MM ATMOSPHERIC BURNER	M.GAZ-BRL-INX-001
15	HANDLE	M.AKS-KLP-LUX-004
16	COVER OUTER SHEET	YSC-KNX.PG7-LZ-1127
17	COVER INTERNAL SHEET	YSC-KNX.PG7-LZ-1128
18	GASKET	HCN-SLK-PG-001
19	UPPER ROVING SHEET	YSC-KNX.PG7-PN-0524
20	INJECTOR M6*0.75 Ø1.20 MM	M.GAZ-ENJ-NG-002
21	INJECTOR M6*0.75 Ø1.90 MM	M.GAZ-ENJ-NG-003
22	0,30 MM LPG INJECTOR	M.GAZ-ENJ-PLT-002
23	PILOT GROUP TEAM	M.GAZ-PLT-PLT-001
24	M8*1200 THERMOELEMENT NO:18	M.GAZ-TRL-003
25	SIDE WIRE SHEET	YSC-KNX.PG7-PN-0475
26	HINGE	M.AKS-MNT-KZN-002
27	HINGE	M.AKS-MNT-KZN-003
28	JOINT RESISTANCE	M.AKS-MNT-KZN-004
29	15 CM LEG	M.AKS-AYK-INX-001
30	FLEXIABLE GAS PIPEØ10 MM 40 CM 3/8	M.GAZ-TEG-SPR-014
31	GAS FLEX Ø10 MM 50 CM 3/8	M.GAZ-TEG-SPR-017
32	GAS FLEX Ø6 MM 80 CM	M.GAZ-TEG-SPR-038
33	1/2-1/2 50 CM GAS FLEX PIPE	M.GAZ-TEG-SPR-002
34	GAS FLEX Ø10 MM 20 CM 3/8	M.GAZ-TEG-SPR-013
35	CHASSIS	-
36	BACK SHEET METAL	YSC-KNX.PG7-PN-0532
37	CHIMNEY OUTER SHEET	YSC-KNX.PG7-PN-0522
38	CHIMNEY INNER SHEET	YSC-KNX.PG7-PN-0523
39	930*650 GRILL	M.AKS-SPT-TEL-012
40	SHELF SHEET METAL	YSC-KNX.PG7-LZ-0494



# PLUS OVENS - GAS

## I SPARE PART LIST-EXPLODING DRAWING



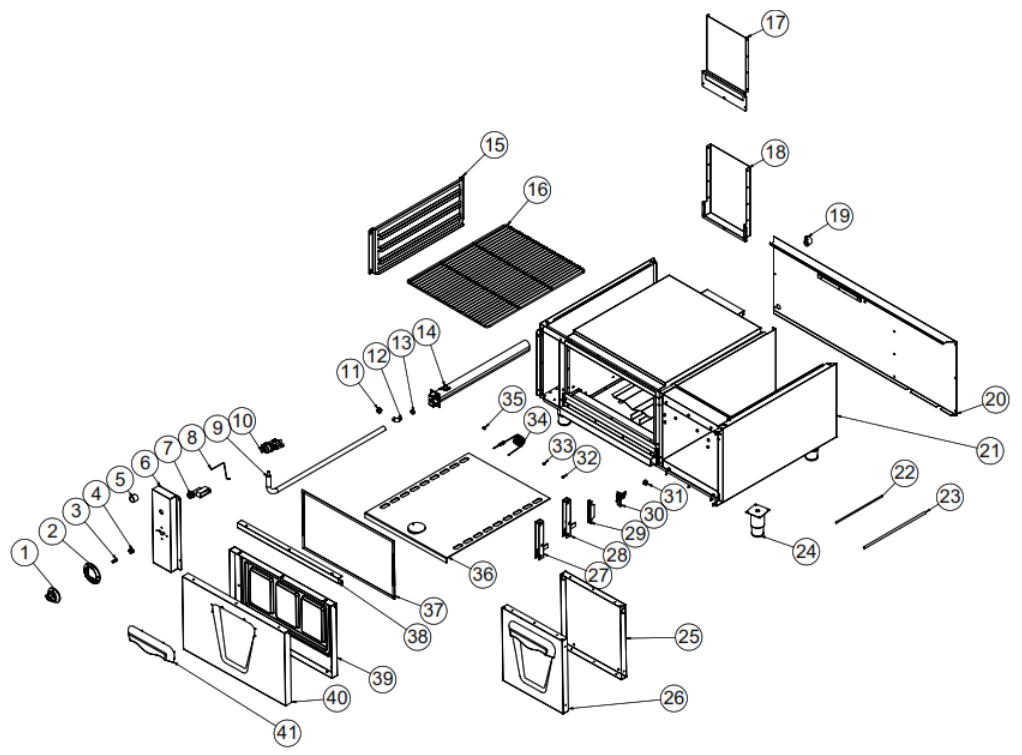
EMP.PLS.9FRG01

**I SPARE PART LIST-EXPLODING DRAWING**

<b>PRODUCT CODE: EMP.PLS.9FRG01</b>		
<b>NO</b>	<b>PRODUCT NAME</b>	<b>P.CODE</b>
1	BUTTON	M.AKS-DGM-EMP-024
2	1-8 BUTTON BUMPER	M.AKS-DGM-EMP-020
3	BUTTON SOCKET 8 MM	M.AKS-DGM-SKT-001
4	M4 FRAME SPRING	M.YAY-PG-004
5	SIDE COVER SHEET	YSC-KNX.PG7-PN-0492
6	BATTERY LIGHTER	M.GAZ-CKM-PIL-001
7	LIGHTER GUARD	M.GAZ--PIEZ-KRM
8	CABLE 1000MM	M.GAZ-CKM-KBL-002
9	GAS TANK	M.GAZ-DPO-PG-066
10	THERMOSTATIC GAS VALVE	M.GAZ-VNA-PEL-001
11	NUT	M.TRN-KNX-PG7-004
12	ELBOW 16*1.5/1/4	M.GAZ-TES-SRI-021
13	M9 FITTING	M.GAZ-TES-SRI-012
14	60 CM ATMOSPHERIC BURNER	M.GAZ-BRL-INX-003
15	WIRE SHELF 650*530 MM	M.AKS-SPT-TEL-008
16	SHELF SHEET METAL	YSC-KNX.PG7-LZ-0494
17	CHASSIS	-
18	CHIMNEY OUTER SHEET	YSC-KNX.PG9-PN-0554
19	CHIMNEY INNER SHEET	YSC-KNX.PG9-PN-0555
20	BRACKET	JP.M.GAZ-TES-GLV-002
21	BACK SHEET METAL	YSC-KNX.PG9-PN-0466
22	GAS FLEX Ø10 MM 60 CM 3/8	M.GAZ-TES-SPR-018
23	GAS FLEX Ø6 MM 60 CM	M.GAZ-TES-SPR-035
24	15 CM LEG	M.AKS-AYK-INX-001
25	PILOT GROUP TEAM	M.GAZ-PLT-PLT-001
26	0,30 MM LPG INJECTOR	M.GAZ-ENJ-PLT-002
27	INJECTOR M6*0.75 Ø1.20 MM	M.GAZ-ENJ-NG-002
28	M8*1200 THERMOELEMENT NO:18	M.GAZ-TRL-003
29	INJECTOR M6*0.75 Ø1.90 MM	M.GAZ-ENJ-NG-003
30	JOINT RESISTANCE	M.AKS-MNT-KZN-004
31	HINGE	M.AKS-MNT-KZN-002
32	HINGE	M.AKS-MNT-KZN-003
33	FLOOR SHEET	YSC-KNX.PG9-LZ-0517
34	COVER INSIDE UPPER SUPPORT SHEET	YSC-KNX.PG7-LZ-0711
35	GASKET	HCN-SLK-PG-001
36	COVER INTERNAL SHEET	YSC-KNX.PG7-LZ-0694
37	COVER SHEET	YSC-KNX.PG7-LZ-0920
38	HANDLE	M.AKS-KLP-LUX-004

# PLUS OVENS - GAS

## I SPARE PART LIST-EXPLODING DRAWING



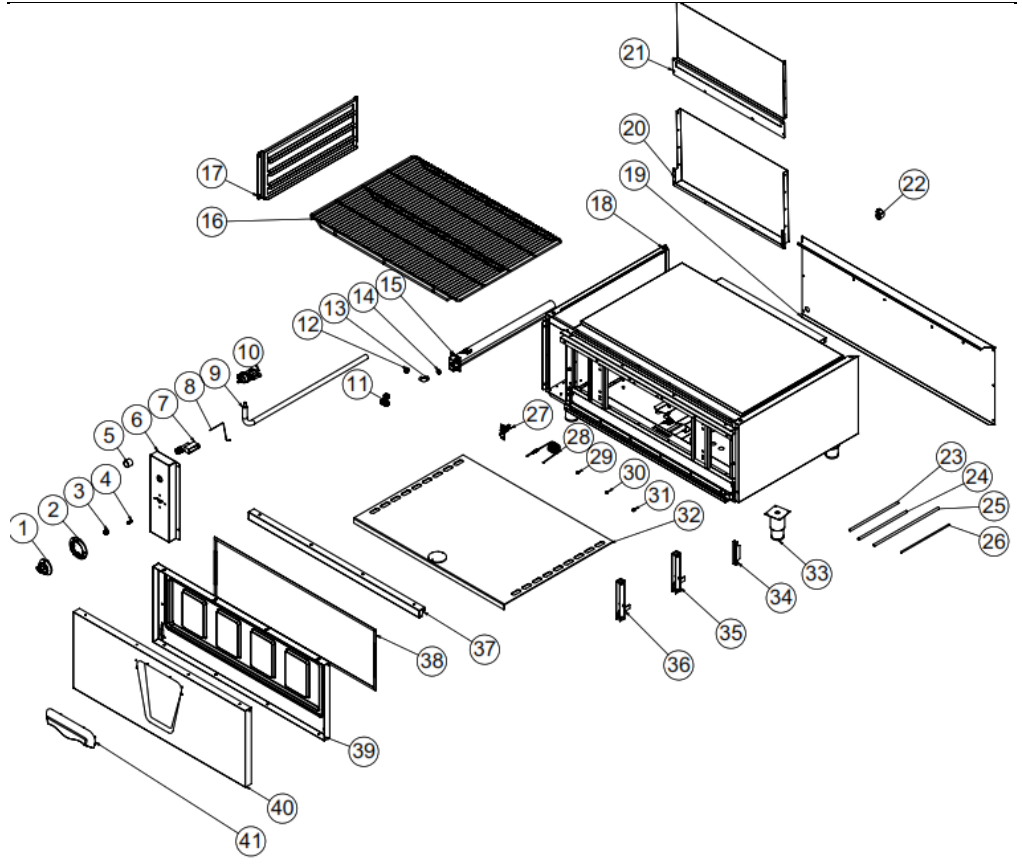
EMP.PLS.9FRG02

**I SPARE PART LIST-EXPLODING DRAWING**

<b>PRODUCT CODE: EMP.PLS.9FRG02</b>		
<b>NO</b>	<b>PRODUCT NAME</b>	<b>P.CODE</b>
1	BUTTON	M.AKS-DGM-EMP-024
2	1-8 BUTTON BUMPER	M.AKS-DGM-EMP-020
3	M4 FRAME SPRING	M.YAY-PG-004
4	BUTTON SOCKET 8 MM	M.AKS-DGM-SKT-001
5	LIGHTER GUARD	M.GAZ--PIEZ-KRM
6	SIDE COVER SHEET	YSC-KNX.PG7-PN-0492
7	BATTERY LIGHTER	M.GAZ-CKM-PIL-001
8	CABLE 1000MM	M.GAZ-CKM-KBL-002
9	GAS TANK	M.GAZ-DPO-PG-066
10	THERMOSTATIC GAS VALVE	M.GAZ-VNA-PEL-001
11	NUT	M.TRN-KNX-PG7-004
12	ELBOW 16*1.5/1/4	M.GAZ-TES-SRI-021
13	M9 FITTING	M.GAZ-TES-SRI-012
14	60 CM ATMOSPHERIC BURNER	M.GAZ-BRL-INX-003
15	SHELF SHEET METAL	YSC-KNX.PG7-LZ-0494
16	WIRE SHELF 650*530 MM	M.AKS-SPT-TEL-008
17	CHIMNEY INNER SHEET	YSC-KNX.PG9-PN-0555
18	CHIMNEY OUTER SHEET	YSC-KNX.PG9-PN-0554
19	BRACKET	JP.M.GAZ-TES-GLV-002
20	BACK SHEET METAL	YSC-KNX.PG9-LZ-0772
21	CHASSIS	-
22	GAS FLEX Ø10 MM 60 CM 3/8	M.GAZ-TES-SPR-018
23	GAS FLEX Ø6 MM 60 CM	M.GAZ-TES-SPR-035
24	15 CM LEG	M.AKS-AYK-INX-001
25	COVER INTERNAL SHEET	YSC-KNX.PG7-PN-0456
26	COVER OUTER SHEET	YSC-KNX.PG7-LZ-0488
27	HINGE	M.AKS-MNT-KZN-002
28	HINGE	M.AKS-MNT-KZN-003
29	JOINT RESISTANCE	M.AKS-MNT-KZN-004
30	PILOT GROUP TEAM	M.GAZ-PLT-PLT-001
31	Ø 22*7 MM MAGNET	M.MIK-PG-001
32	INJECTOR M6*0.75 Ø1.20 MM	M.GAZ-ENJ-NG-002
33	INJECTOR M6*0.75 Ø1.90 MM	M.GAZ-ENJ-NG-003
34	M8*1200 THERMOELEMENT NO:18	M.GAZ-TRL-003
35	0,30 MM LPG INJECTOR	M.GAZ-ENJ-PLT-002
36	FLOOR SHEET	YSC-KNX.PG9-LZ-0517
37	GASKET	HCN-SLK-PG-001
38	COVER INSIDE UPPER SUPPORT SHEET	YSC-KNX.PG7-LZ-0711
39	COVER INTERNAL SHEET	YSC-KNX.PG7-LZ-0694
40	COVER SHEET	YSC-KNX.PG7-LZ-0920
41	HANDLE	M.AKS-KLP-LUX-004

# PLUS OVENS - GAS

## I SPARE PART LIST-EXPLODING DRAWING



EMP.PLS.9FRG03

**I SPARE PART LIST-EXPLODING DRAWING**

<b>PRODUCT CODE: EMP.PLS.9FRG03</b>		
<b>NO</b>	<b>PRODUCT NAME</b>	<b>P.CODE</b>
1	BUTTON	M.AKS-DGM-EMP-024
2	1-8 BUTTON BUMPER	M.AKS-DGM-EMP-020
3	BUTTON SOCKET 8 MM	M.AKS-DGM-SKT-001
4	M4 FRAME SPRING	M.YAY-PG-004
5	LIGHTER GUARD	M.GAZ--PIEZ-KRM
6	SIDE COVER SHEET	YSC-KNX.PG7-PN-0492
7	BATTERY LIGHTER	M.GAZ-CKM-PIL-001
8	CABLE 1000MM	M.GAZ-CKM-KBL-002
9	GAS TANK	M.GAZ-DPO-PG-066
10	THERMOSTATIC GAS VALVE	M.GAZ-VNA-PEL-001
11	T PIPE 3/8-3/8-3/8 (M16*1.5) 301021326	M.GAZ-TES-SRI-004
12	NUT	M.TRN-KNX-PG7-004
13	ELBOW 16*1.5/1/4	M.GAZ-TES-SRI-021
14	M9 FITTING	M.GAZ-TES-SRI-012
15	60 CM ATMOSPHERIC BURNER	M.GAZ-BRL-INX-003
16	930*650 GRILL	M.AKS-SPT-TEL-012
17	SHELF SHEET METAL	YSC-KNX.PG7-LZ-0494
18	CHASSIS	-
19	BACK SHEET METAL	YSC-KNX.PG9-LZ-0779
20	CHIMNEY OUTER SHEET	YSC-KNX.PG9-PN-0559
21	CHIMNEY INNER SHEET	YSC-KNX.PG9-PN-0560
22	BRACKET	JP.M.GAZ-TES-GLV-002
23	GAS FLEX Ø10 MM 20 CM 3/8	M.GAZ-TES-SPR-013
24	FLEXIABLE GAS PIPE Ø10 MM 40 CM 3/8	M.GAZ-TES-SPR-014
25	GAS FLEX Ø10 MM 50 CM 3/8	M.GAZ-TES-SPR-017
26	GAS FLEX Ø6 MM 80 CM	M.GAZ-TES-SPR-038
27	PILOT GROUP TEAM	M.GAZ-PLT-PLT-001
28	M8*1200 THERMOELEMENT NO:18	M.GAZ-TRL-003
29	INJECTOR M6*0.75 Ø1.20 MM	M.GAZ-ENJ-NG-002
30	INJECTOR M6*0.75 Ø1.90 MM	M.GAZ-ENJ-NG-003
31	0,30 MM LPG INJECTOR	M.GAZ-ENJ-PLT-002
32	FLOOR SHEET	YSC-KNX.PG9-LZ-0532
33	15 CM LEG	M.AKS-AYK-INX-001
34	JOINT RESISTANCE	M.AKS-MNT-KZN-004
35	HINGE	M.AKS-MNT-KZN-002
36	HINGE	M.AKS-MNT-KZN-003
37	COVER INSIDE UPPER SUPPORT SHEET	YSC-KNX.PG7-LZ-0724
38	GASKET	HCN-SLK-PG-001
39	COVER INTERNAL SHEET	YSC-KNX.PG7-LZ-1128
40	COVER OUTER SHEET	YSC-KNX.PG7-LZ-1127
41	HANDLE	M.AKS-KLP-LUX-004