



AMERICAN GAS GRILL

CONTENTS

A	GENERAL INFORMATION	Page 2
A1	PRODUCT DESCRIPTION	Page 3
A2	TECHNICAL INFORMATION	Page 3
A3	TRANSPORTATION	Page 3
A4	UNPACKING	Page 4
B	INSTALLATION	Page 4
C	SAFETY INSTRUCTIONS.....	Page 5
D	OPERATION	Page 6
E	CLEANING & MAINTENANCE.....	Page 7
F	TROUBLESHOOTING.....	Page 8
G	INJECTOR CHANGE AND GAS SETTING	Page 9
H	GAS CONNECTION IMAGES.....	Page 10
I	SPARE PART LIST- EXPLODING DRAWING	Page 12

A GENERAL INFORMATION

Before installing the appliance, read operation and maintenance instructions carefully. Wrong installation and part changing may damage the product or may cause injury on people. These are not in our company's responsibility to damage the appliance intentionally, negligence, detriments because of disobeying instructions and regulations, wrong connections. Unauthorized intervention to appliance invalidates the warranty.

1. This instruction manual should be kept in a safe place for future reference.
2. **Installation should be made in accordance with ordinances and security rules of that country by a qualified service personnel.**
3. This appliance has to be used by trained person.
4. Please turn off the appliance immediately in the event of malfunction or failure. The appliance should be repaired only by authorized service personnel. Please demand original spare part.

AMERICAN GAS GRILL

A1 PRODUCT DESCRIPTION

*This device, which provides high efficiency, is a professional gas grill designed for use in restaurants, dining halls and public kitchens.

Product Code	Dimensions (mm)	Weight (kg)	Packaging Dimensions (mm)
EMP.PLS.US-1	800X920X1100	55	850X950X1200
EMP.PLS.US-2	1160X920X1100	105	1200X950X1200

A2 TECHNICAL INFORMATION

Product Code	Model	Power (KW)	Gas Consumption (LPG)
EMP.PLS.US-1	American Gas Grill	25	0,51 kg/h – 0,91 m ³ /h
EMP.PLS.US-2	American Gas Grill	37	1,02 kg/h – 1,82 m ³ /h

A3 TRANSPORTATION

* This appliance can not be moved by hand from area to area. Therefore Use a hauling truck (forklift or pallet jack) to move the appliance. (The lifting arms of the of forklift or pallet jack must reach up to more than half part of t appliance underneath.

A4 UNPACKING

*Please unpack the package according to the security codes and ordinances of current country and get rid from the pack. Parts which contacts with food are produced by stainless steel. All plastic parts are marked by material's symbol.

*Please check that all the parts of appliance had come completely and if they are damaged or not during the shipping.

B INSTALLATION

*Please place the product to straight and sturdy ground, please take necessary steps against possibility of overturn.

*Technician who will serve for installation and service for the appliance must be professional on this subject and must have installation and service licenses by the company.

*Connection to Gas Fitment must be done by authorized person.

*The area where the appliance is must have enough ventilation and vent-hole.

*The appliance must be connected correctly according to local and national gas standards of your country.

*The appliance gas entrances are indicated with "G" label on the body.











*Connection to gas fitment must be done with suitable diameter metal flex pipe and spheric valve. The spheric valve must be immobilized to a place that is far away from heat and accessible during the danger. After gas entrance connection done, gas leakages must be checked.

*According to the datas on appliance information plate, gas and pressure must be adjusted. If the gas type that is adjusted is not the suitable with gas type that is at installation place, apply the instructions that is about adjustment of different gas type. (**Event :G**)

* If the place where the professional grill is located is covered with non-combustible thermal insulation material, the distance should be 5 cm Otherwise it should be at least 20 cm The device must be operated under the hood.

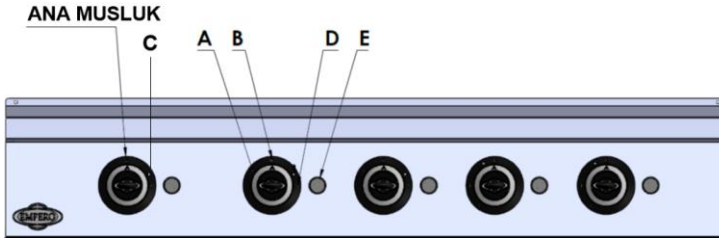
AMERICAN GAS GRILL

C SAFETY INSTRUCTIONS

-  Do not use the appliance in insufficient lighted place.
-  *Do not touch the moving attachments while the appliance operates.
-  *Do not install the appliance in the presence of flammable or explosive materials.
-  *Do not operate the appliance when the machine is empty.
-  *Do not load so less or more than appliance's capacity.
-  *Do not attempt to use the appliance without suitable protective equipments.
-  *Because of any reason if there is a fire or flame flare where the appliance is used, turn off all gas valves and electric contactor switch quickly and use fire extinguisher. Never use water to extinguish the fire.
-  *If there is a gas leak in the environment where the grill is located, do not burn a fire or do not turn on the electricity.
-  * Definitely do not allow to check the sealing with flame.
-  * Before making the electrical connection of the device to be installed that are connected amps cable cross-section of insurance to make sure correct insurance.

D OPERATION

*Control Panel;



- A : Half Flame
- B : Full Flame
- C : Lighter Position
- D : Closed Position
- E : Lighter
- F : Main TAP

For Gas Usege ;

- It is because of the professional grill works with LPG and NG (natural gas), make the gas inlet connection from the back of the appliance according to the usage pattern
- Open the main gas valve.
- When starting the device for the first time, for venting the air inside the gas line hold the button in the pilot flame position for a while
- Press the gas button lightly to bring the pilot into the flame position, press the ignition button or fire with a suitable lighter
- After the pilot has fired, press and hold the button for a few seconds (max. 10) to warm up to the safety thermocouple tip.
- Close the top cover of the device and preheat the burners to a certain degree in full flame.
- Remove the chimney lids on the top cover halfway open
- For the desired temperature setting, adjust by turning the knob to half or full flame position.
- After the appliance has been sufficiently preheated, you can switch on the cooking process with the top cover open or closed.
- Place the meat to be cooked on the grill
- Use a tong and other similar equipment to turn the meat during cooking..
- After finishing cooking, remove and clean the grill.

AMERICAN GAS GRILL

E CLEANING & MAINTENANCE

➤ **CLEANING AND MAINTENANCE AFTER EVERY USE**

- Turn off the gas connection before cleaning.
- Clean the outer surface of the appliance with moist cloth.
- Do not use abrasive cleaning chemicals as these can leave harmful residues.
- Do not wash the appliance with pressure water.
- Do not clean the appliance with a materials that may damage chrome material.
- After the cooking process, clean the BBQ grill with a spud.in order to stop collection of carbonized food and reducing of cooking efficiency.

➤ **PERIODIC CLEANING AND MAINTENANCE**

- Maintenance should be done by qualified person.
- These parts ; Gas storage,thermocouples,taps,burner,lighter and spark plug cable are not maintained so they need to be changed when they have error.
- Check the gas connection hoses in periodic time.If there is slit,hole..etc,change the hoses.
- Ventilate the area where the device is in periodic times.



AMERICAN GAS GRILL

F TROUBLESHOOTING

THE APPLIANCE DOESN'T OPERATE	<ol style="list-style-type: none">1. Check if the gas connection is done or not.2. If there is no gas entrance to safety and firing part,the appliance is not operated.3. Check if the injector holes are opened or not.4. If the hoses that have gas entrance lose gas due to slit,hole.etc.,the appliance is not operated.
--------------------------------------	---

THE APPLIANCE DOESN'T COOK WELL	<ol style="list-style-type: none">1. Check if it is operated at suitable gas setting or not.
--	--

THE APPLIANCE STOPPED	<ol style="list-style-type: none">1. Gas flow is stopped automatically when the flame is off due to having gas tap that has safety valve.In this situation the appliance is not operated.2. When there is gas leakage,if there is solenoid gas stopper alarm,gas flow is stopped and the appliance is not operated.Ventilate the area through the agency of vent-hole.
------------------------------	---

<ul style="list-style-type: none">➤ If cooking isn't at the normal quality standarts➤ If any of safety functions are not stable or does not work➤ Do not run the device

***If these problems are still going on,contact with our authorized services.**

AMERICAN GAS GRILL

G INJECTOR CHANGE AND GAS SETTING

Gas Family	Gas		EMP.PLS.US-1	EMP.PLS.US-2
			Injector Ø mm	Injector Ø mm
2	G20		Ø1,50 x 6	Ø1,50 x 9
	G25		Ø1,50 x 6	Ø1,50 x 9
3	G30	30 mbar	Ø1,0 x 6	Ø1,0 x 9
		50 mbar	Ø1,0 x 6	Ø1,0 x 9
	G31	37 mbar	Ø1,0 x 6	Ø1,0 x 9
		30 mbar	Ø1,0 x 6	Ø1,0 x 9

Change of Burner Injector;

1. Rip off the injector at the entrance of burner with suitable equipment
2. Change "A" injector by paying attention to the datas at chart with suitable injector. (Image 1)
3. Set the burner air entrance "F" setting by loosening "B" bolt and moving venturi pipe forward-back. (Image 2)
4. Change "C" injector by paying attention to the datas at chart with suitable injector. For this it is enough to take off "D" fitting and pull the gas pipe to down. (Image 3)

Setting of Half Flame;

1. Remove the tap button and set by turning tap half flame screw "K" with suitable screwdriver.(Image 4) Turn it to left for transformation from LPG to NG, turn it right for transformation from NG to LPG.
2. After this process, operate the appliance and set it not to be deflated during transition from full flame to half flame.

H GAS CONNECTION IMAGES

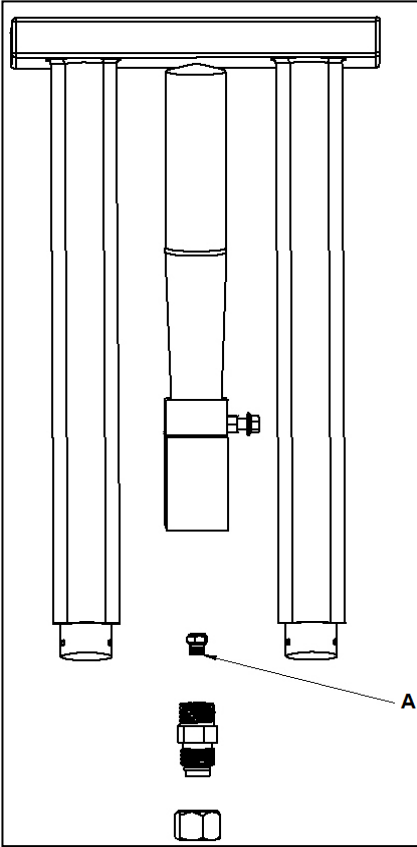


Image-1

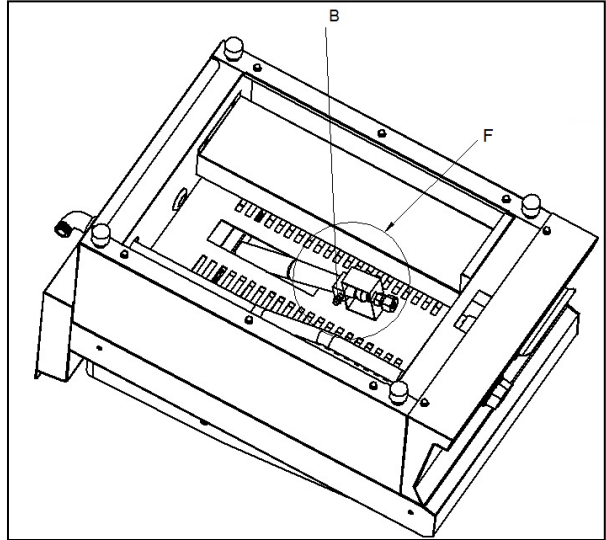


Image-2

AMERICAN GAS GRILL

H GAS CONNECTION IMAGES

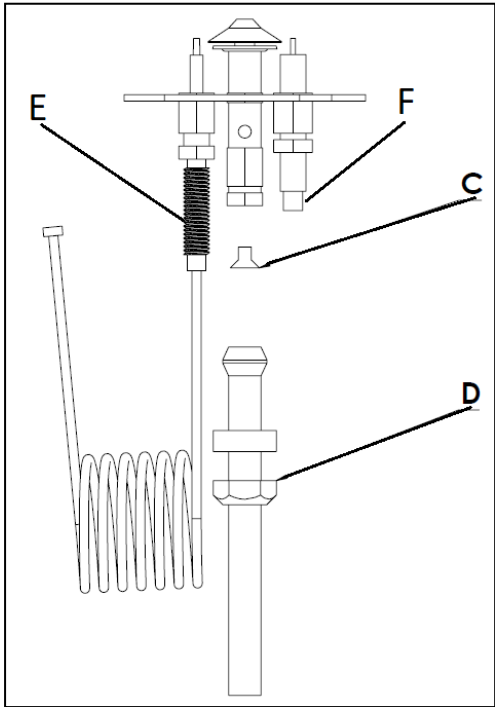


Image 3

E : Thermocouple
F: Lighter

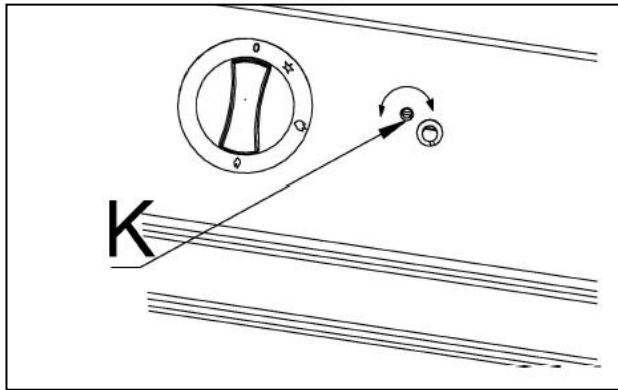
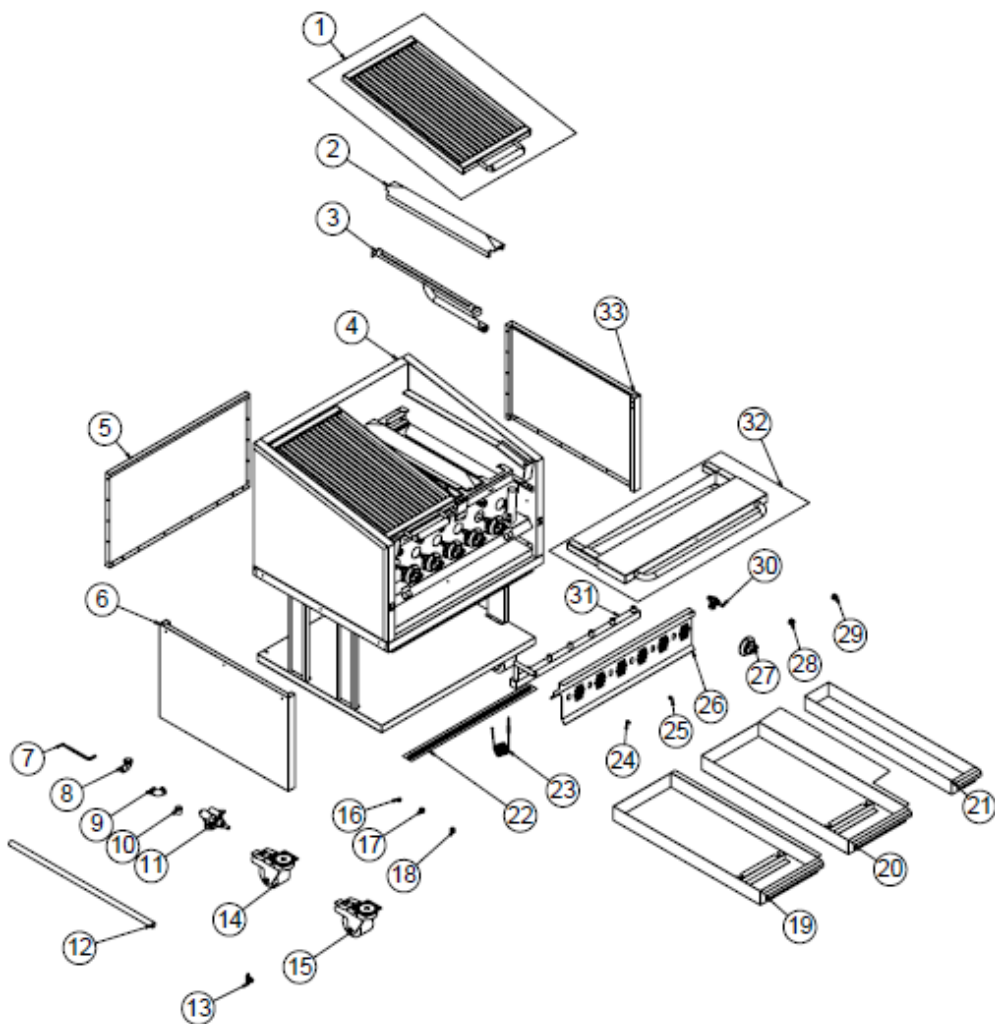


Image-4

I SPARE PART LIST-EXPLODING DRAWING



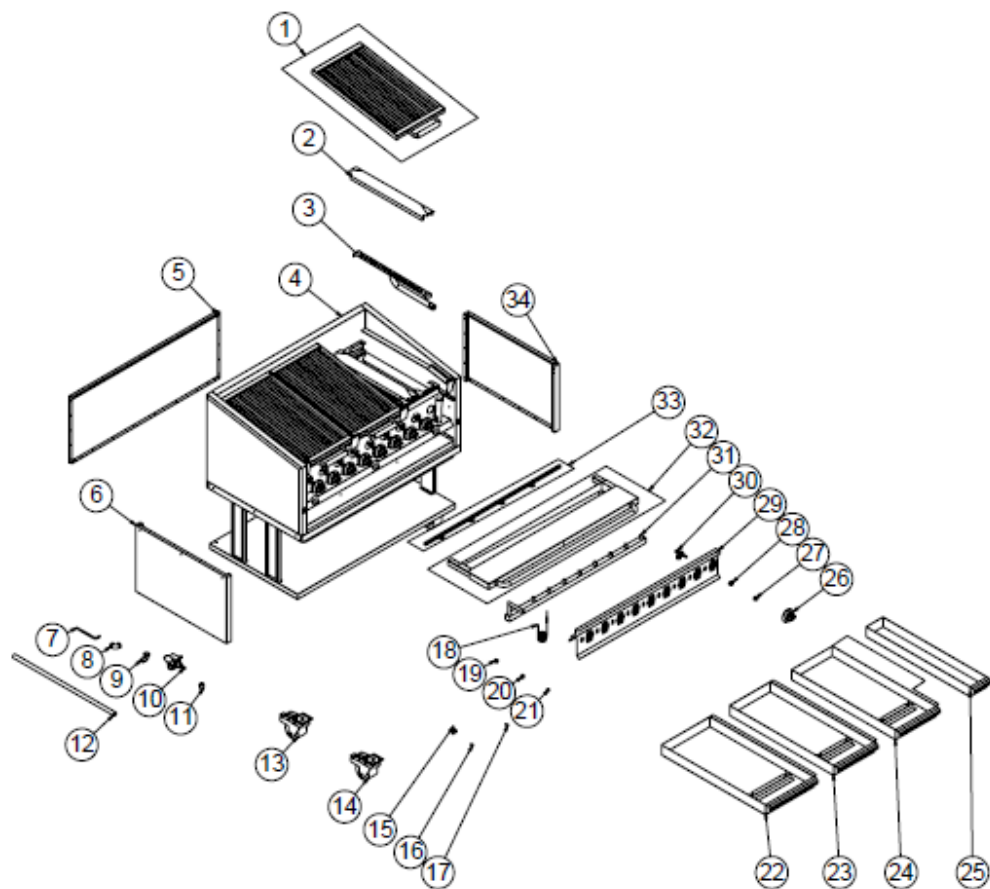
EMP.PLS.US-01

AMERICAN GAS GRILL

I SPARE PART LIST- EXPLODING DRAWING

PRODUCT CODE : EMP.PLS.US-01		
NO	PRODUCT NAME	PRODUCT CODE
1	INTERMEDIATE WIRE	ARA-KNX.9MG-0001
2	BURNER TOP CASTING	M.AKS-DKM-SLU-005
3	BURNER	M.GAZ-BRL-BEK-032
4	CHASSIS	-
5	STAND SHEET	YSC-KNX.9MG-PN-0012
6	STAND SHEET	YSC-KNX.9MG-PN-0010
7	FLEXIABLE GAS PIPE30 CM Ø6 MM	M.GAZ-TES-SPR-032
8	1/2 BRASS ELBOW	M.GAZ-TES-SRI-001
9	1/2 BRACKET	M.GAZ-TES-SRI-048
10	FITTING	YTL-KNX.9MG-KS-0004
11	GAS VALVE	M.GAZ-VNA-PEL-002
12	GAS PIPEWATER	YBR-KNX.9MG-KS-0003
13	PILOT GROUP	M.GAZ-CKM-BUJI-002
14	100*32 WHEEL	JP.M.AKS-TKR-KS-001
15	100*32 WHEEL WITH BREAK	JP.M.AKS-TKR-KFS-001
16	Ø16 RING	M.GAZ-TES-SRI-051
17	FITTING 20MM	M.GAZ-TES-SRI-050
18	FITTING 16MM	M.GAZ-TES-SRI-052
19	PAN SHEET METAL	ARA-KNX.9MG-0005
20	PAN SHEET METAL	ARA-KNX.9MG-0006
21	PAN SHEET METAL	YSC-KNX.9MG-PN-0008
22	GAS INLET İ	ARA-KNX.9MG-0004
23	M8*600 TERMOKUPUL	M.GAZ-TRL-002
24	INJECTOR M8*0.75 Ø 1.50 MM.	JP.M.GAZ-ENJ-LPG-012
25	INJECTOR M8*0.75 Ø1.10 MM	M.GAZ-ENJ-NG-013
26	PANEL SHEET	YSC-KNX.9MG-LZ-0005
27	BUTTON	M.AKS-DGM-EMP-024
28	BUTTON SOCKET 8 MM	M.AKS-DGM-SKT-001
29	PEL 23 SOCKET	M.AKS-DGM-SKT-005
30	GAS FAUCET 3/8"	JP.M.GAZ-VNA-ECA-009
31	GAS TANK	M.GAZ-DPO-PG-100
32	HANDLE	ARA-KNX.9MG-0002
33	STAND SHEET	YSC-KNX.9MG-PN-0011

I SPARE PART LIST-EXPLODING DRAWING



EMP.PLS.US-02



AMERICAN GAS GRILL

I SPARE PART LIST-EXPLODING DRAWING

PRODUCT CODE : EMP.PLS.US-02		
NO	PRODUCT NAME	PRODUCT CODE
1	INTERMEDIATE WIRE	ARA-KNX.9MG-0001
2	BURNER TOP CASTING	M.AKS-DKM-SLU-005
3	BURNER	M.GAZ-BRL-BEK-032
4	CHASSIS	-
5	STAND SHEET	YSC-KNX.9MG-PN-0021
6	STAND SHEET	YSC-KNX.9MG-PN-0010
7	FLEXIABLE GAS PIPE30 CM Ø6 MM	M.GAZ-TES-SPR-032
8	1/2 BRACKET	M.GAZ-TES-SRI-048
9	1/2 BRASS ELBOW	M.GAZ-TES-SRI-001
10	GAS VALVE	M.GAZ-VNA-PEL-002
11	FITTING	YTL-KNX.9MG-KS-0004
12	GAS PIPEWATER	YBR-KNX.9MG-KS-0003
13	100*32 WHEEL WITH BREAK	JP.M.AKS-TKR-KFS-001
14	100*32 WHEEL	JP.M.AKS-TKR-KS-001
15	PILOT GROUP	M.GAZ-CKM-BUJI-002
16	INJECTOR M8*0.75 Ø 1.50 MM.	JP.M.GAZ-ENJ-LPG-012
17	INJECTOR M8*0.75 Ø1.10 MM	M.GAZ-ENJ-NG-013
18	M8*600 TERMOKUPUL	M.GAZ-TRL-002
19	FITTING 20MM	M.GAZ-TES-SRI-050
20	FITTING 16MM	M.GAZ-TES-SRI-052
21	Ø16 RING	M.GAZ-TES-SRI-051
22	PAN SHEET	ARA-KNX.9MG-0007
23	PAN SHEET METAL	ARA-KNX.9MG-0005
24	PAN SHEET METAL	ARA-KNX.9MG-0006
25	PAN SHEET METAL	YSC-KNX.9MG-PN-0008
26	BUTTON	M.AKS-DGM-EMP-024
27	BUTTON SOCKET 8 MM	M.AKS-DGM-SKT-001
28	PEL 23 SOCKET	M.AKS-DGM-SKT-005
29	PANEL SHEET	YSC-KNX.9MG-LZ-0036
30	GAS FAUCET 3/8"	JP.M.GAZ-VNA-ECA-009
31	GAS TANK	M.GAZ-DPO-PG-102
32	HANDLE	ARA-KNX.9MG-0003
33	GAS INLET İ	ARA-KNX.9MG-0008
34	STAND SHEET	YSC-KNX.9MG-PN-0011